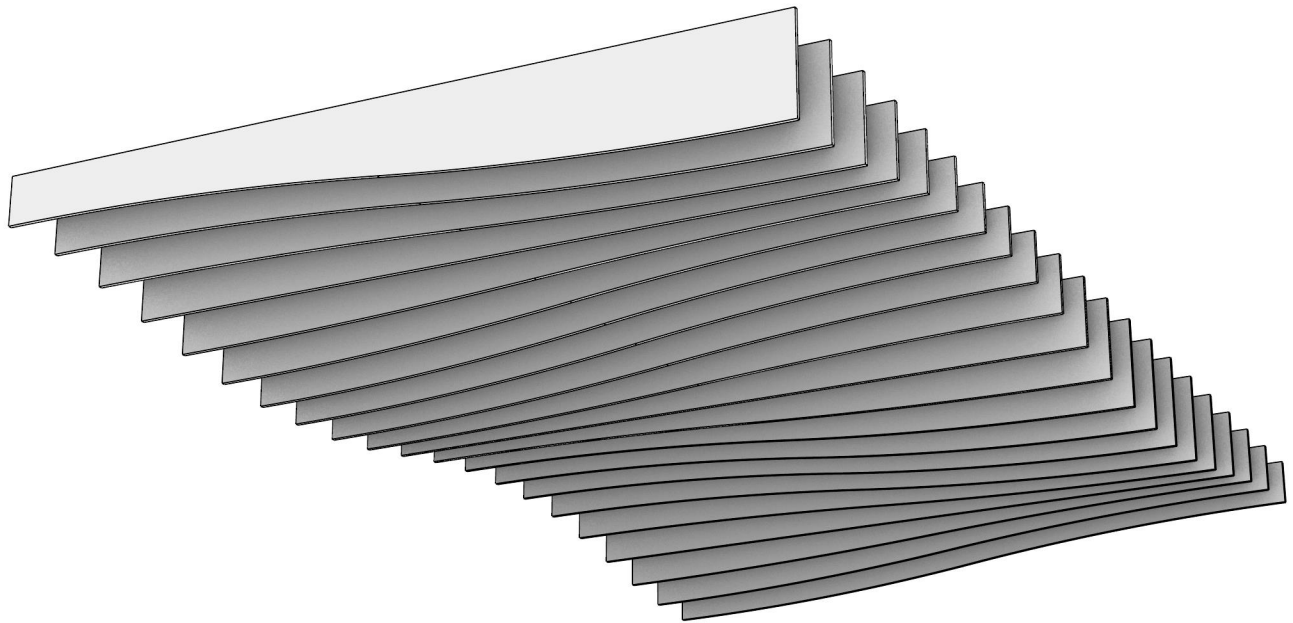




**M A T E R I A L L O G I Q**



# **INSTALLATION INSTRUCTIONS: TOPO**

**INSTALLATION METHOD: 1/4-20" HANGER**

## Overview // Parts and Hardware

**ATTENTION:** If you have additional questions after reviewal of this manual please contact your local MATERIAL LOGIQ representative or a MATERIAL LOGIQ professional at our headquarters (800)220-8412

MATERIAL LOGIQ MANUFACTURES PRODUCTS THAT MUST BE HANDLED WITH CARE. PRODUCTS SHOULD ONLY BE INSTALLED BY EXPERIENCED INSTALLERS.

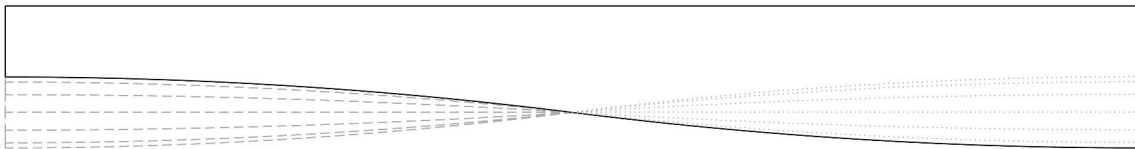
### RECEIVING

Prior to unpacking, check package for any obvious shipping damage. If no evidence of damage is present, move package to a dry/controlled area and inspect it for dents, breakage, or any lesser-noticable damage that may affect enclosed panels. If damage has been identified, record it/photograph it, and open to inspect for concealed damage. If damage was transferred to the product, document/photograph the issues.

### SPECIAL HANDLING INSTRUCTIONS

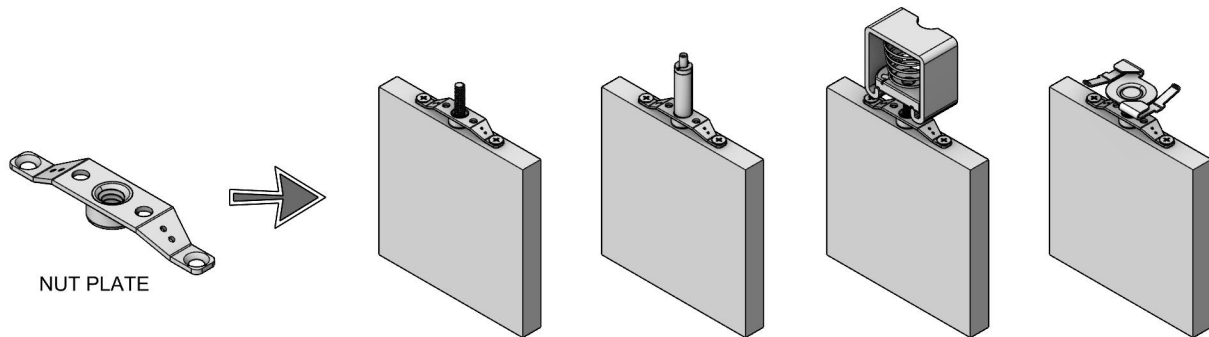
When handling product, care must be taken to not damage the faces. Handle all edges with care. To avoid damage, do not twist or bow product during installation.

### INCLUDED COMPONENTS:



①

TOPO BLADES



②

HANGING HARDWARE

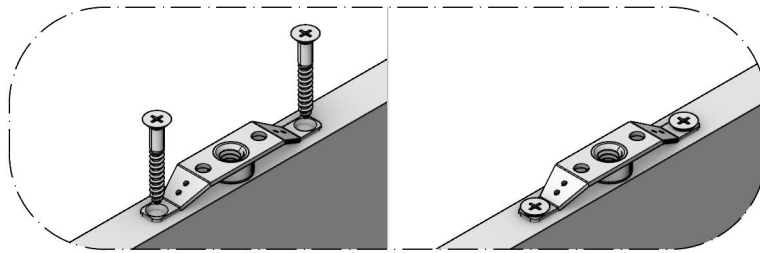


③

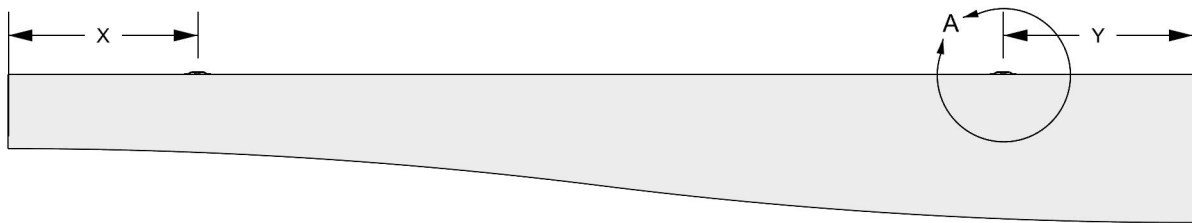
FRAME (OPTIONAL)

## Installation - Independently Hung

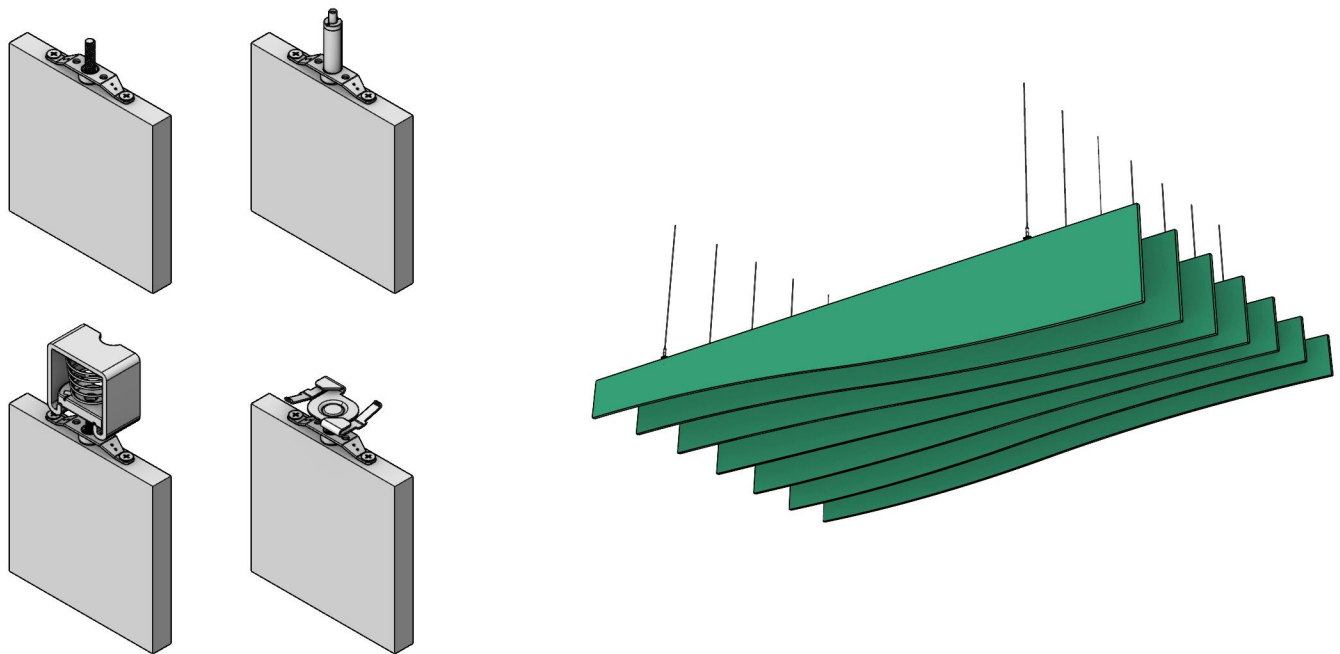
- 1 Determine pick location for each blade. Align PET Anchor and press to install.



DETAIL A

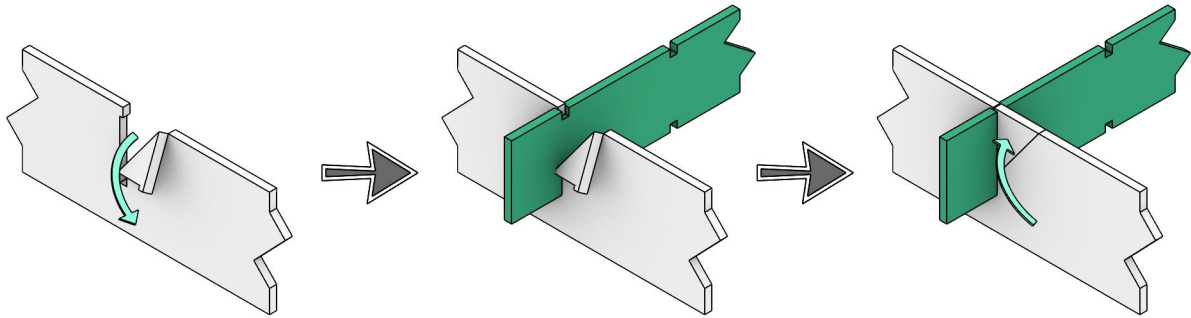


- 2 Attach hanging hardware and install according to specified layout. Installation is complete.

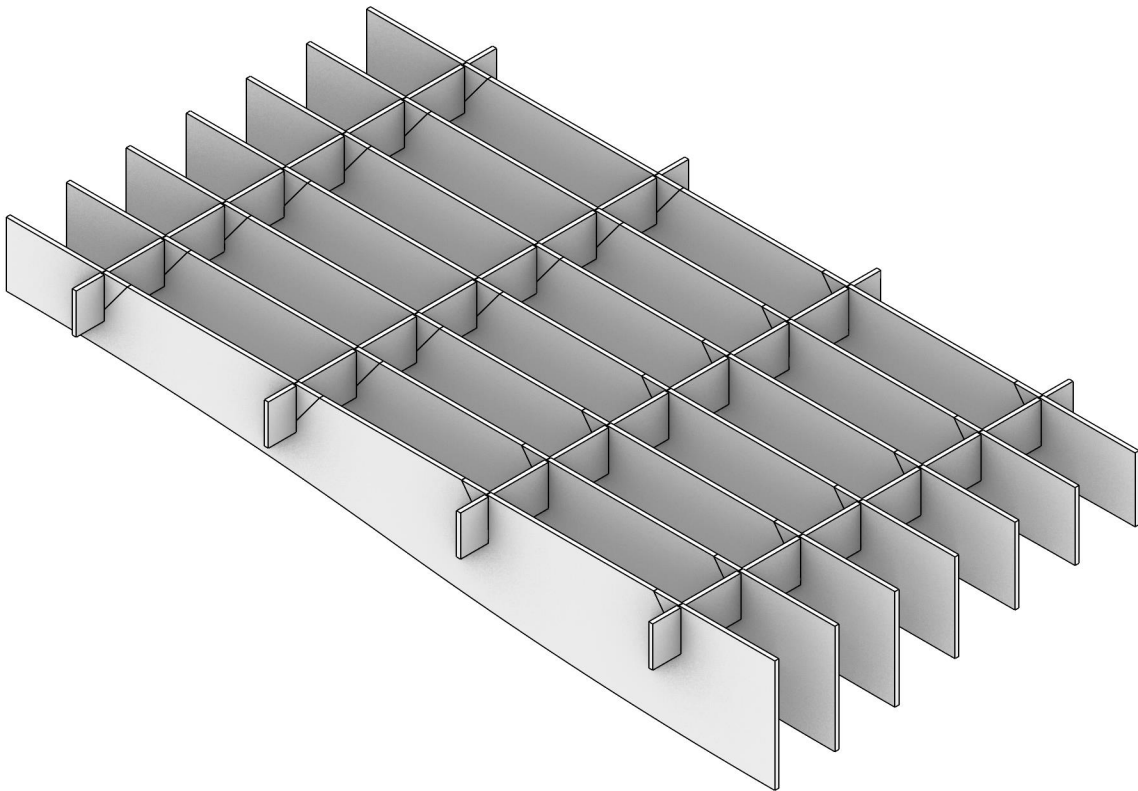


## Assembly - Topo with Frame

- 1 Bend flap back and insert frame into slot. Close flap.

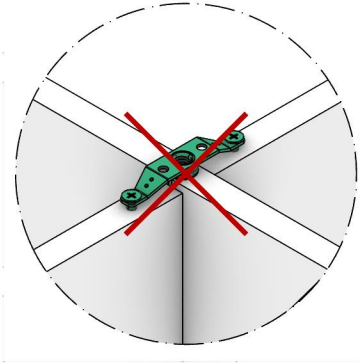


- 2 Repeat step 1 until all blades are installed on the frame.

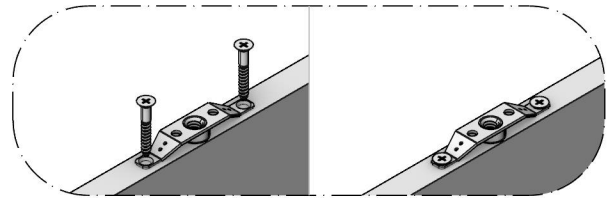
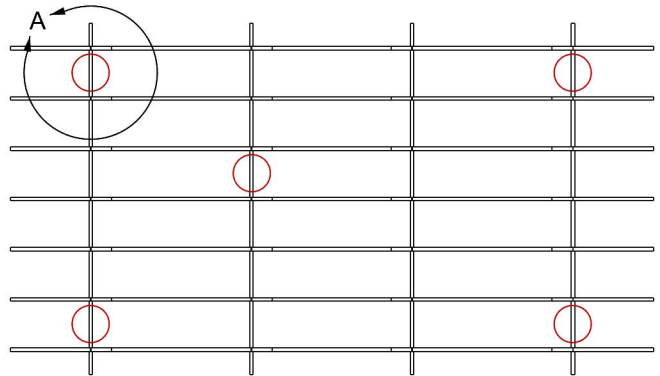


## Installation - Optional Frame

- 1 Recommended Pick Locations are circled on the right. Avoid picking module from blade/frame intersections.



Additional Pick points can be placed as needed.



DETAIL A

- 2 Attach hanging hardware and install according to specified layout. Installation is complete.

