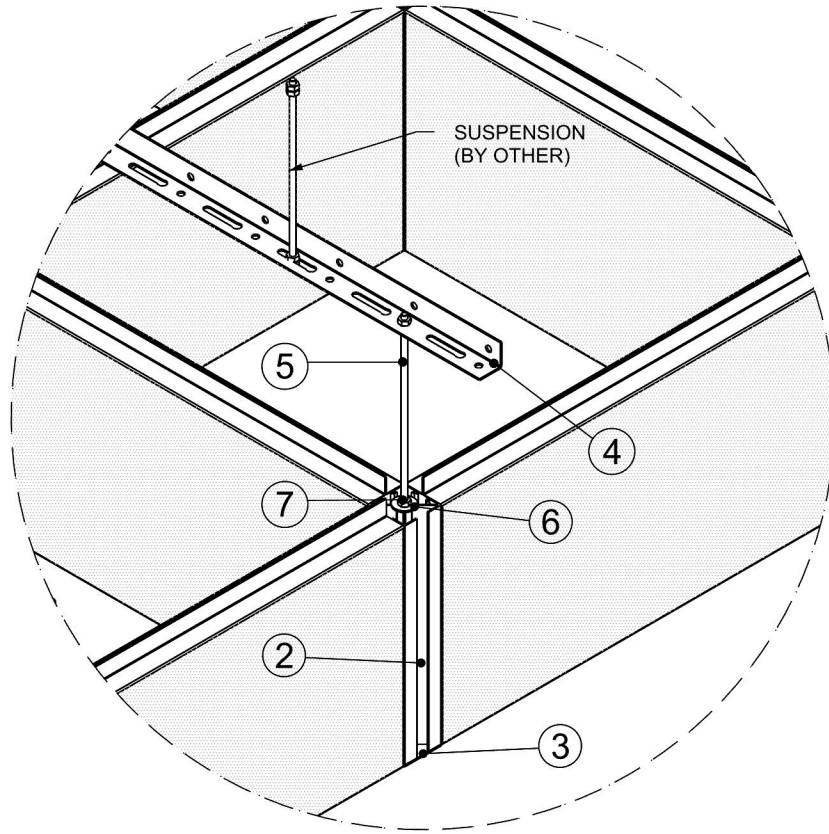
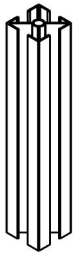


1  
SQUELL BAFFLE

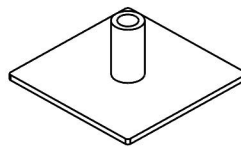


**A** Hardware



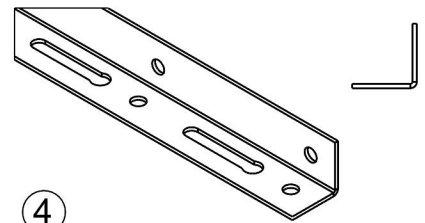
2

CONNECTOR



3

BASE PLATE



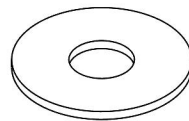
4

L - BAR (OPTIONAL)



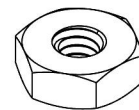
5

1/4" -20 THREADED ROD



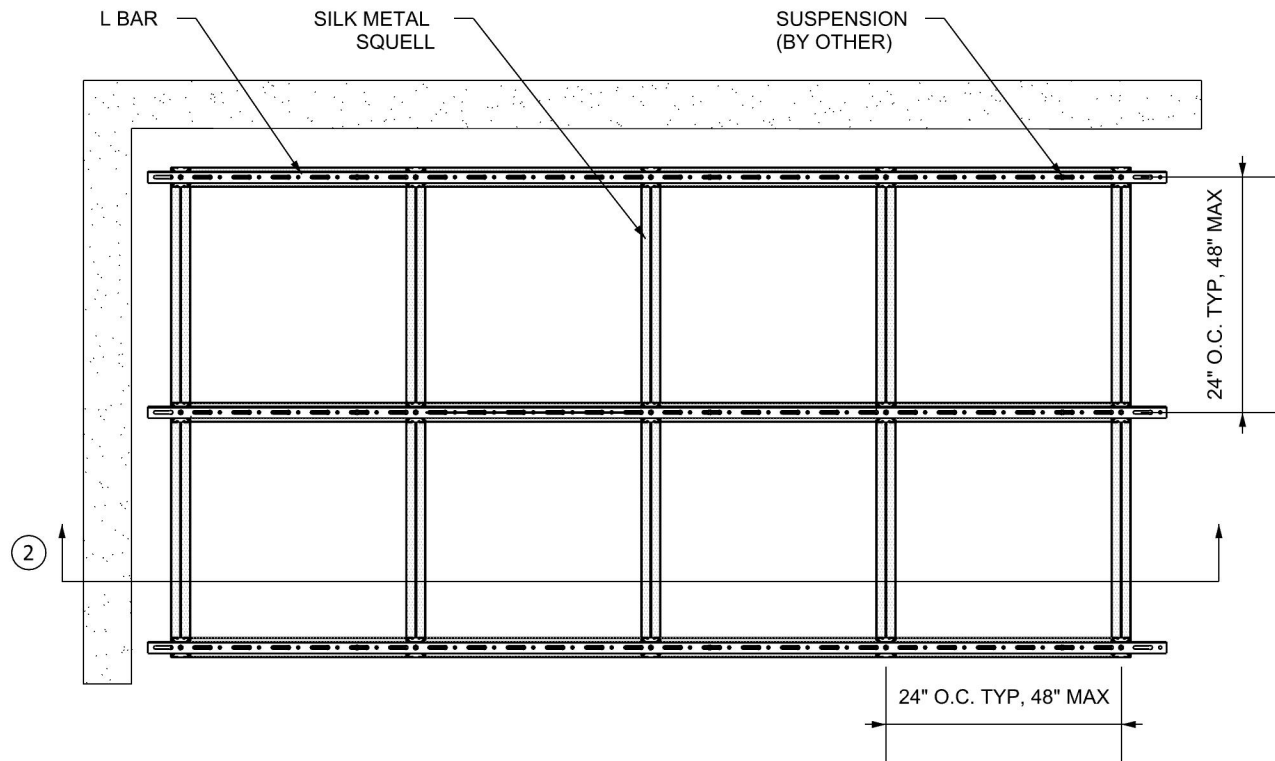
6

WASHER

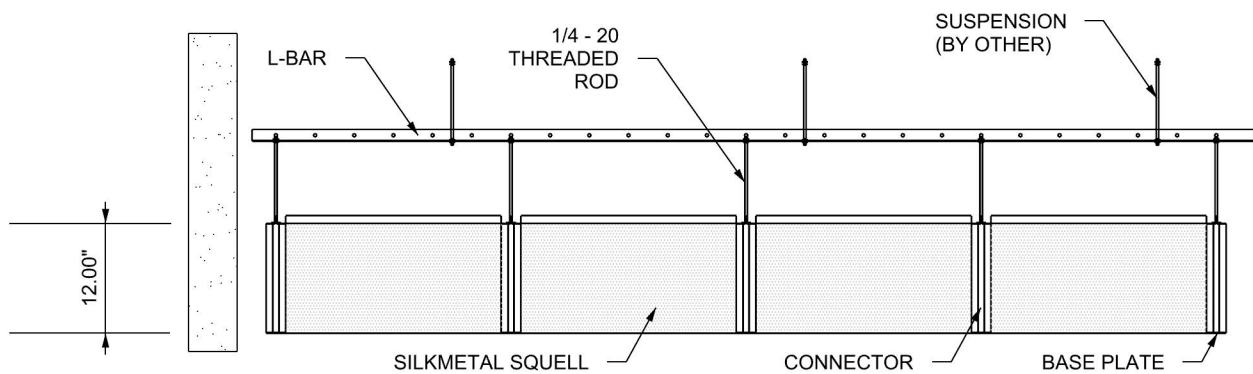


7

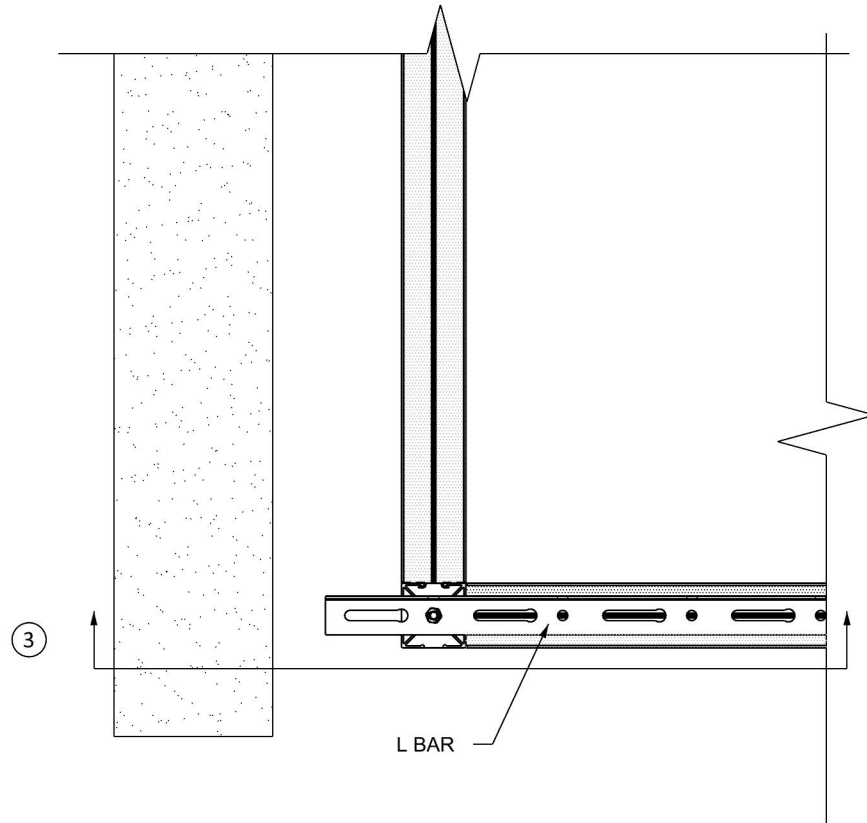
NUT



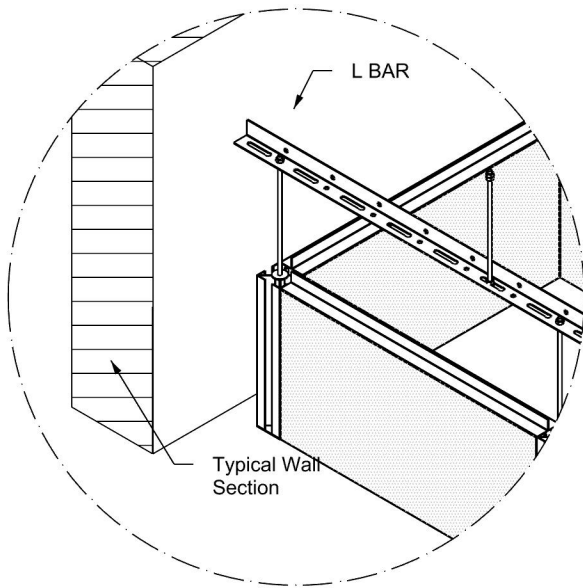
1 Typical Region - Plan View



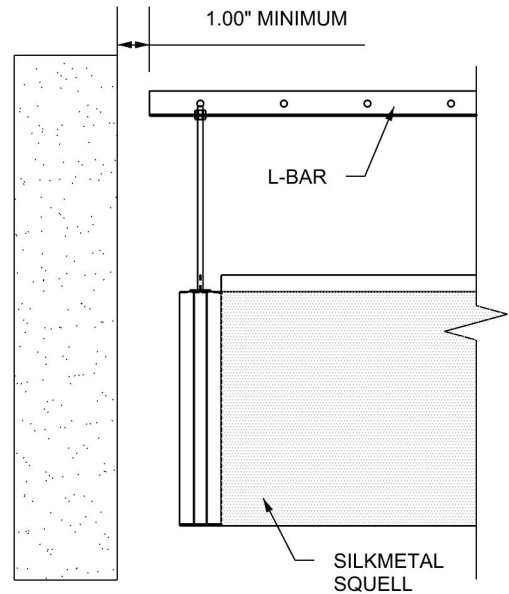
2 Typical Region - Section View



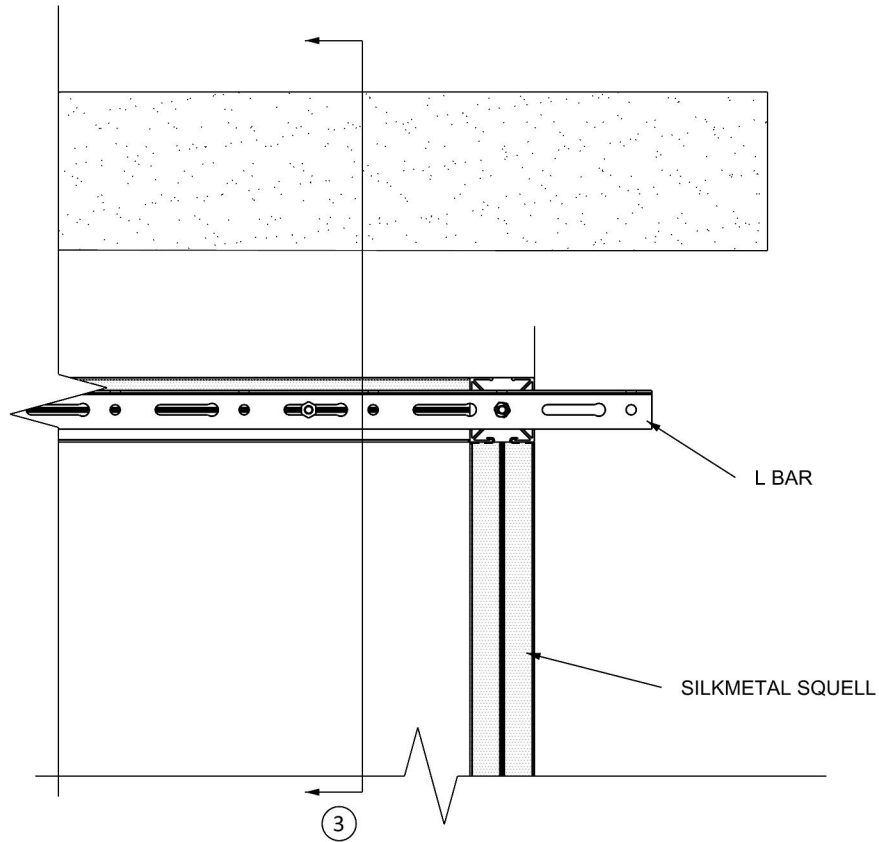
1 Trim Detail 1 - Plan View



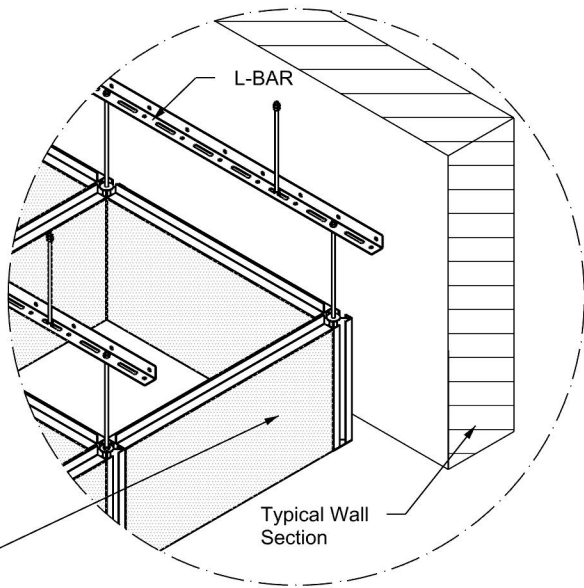
2 Trim Detail - Isometric



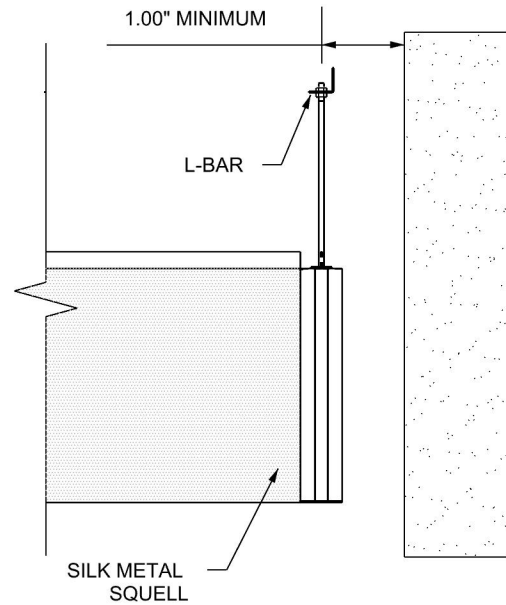
3 Trim Detail 1 - Section



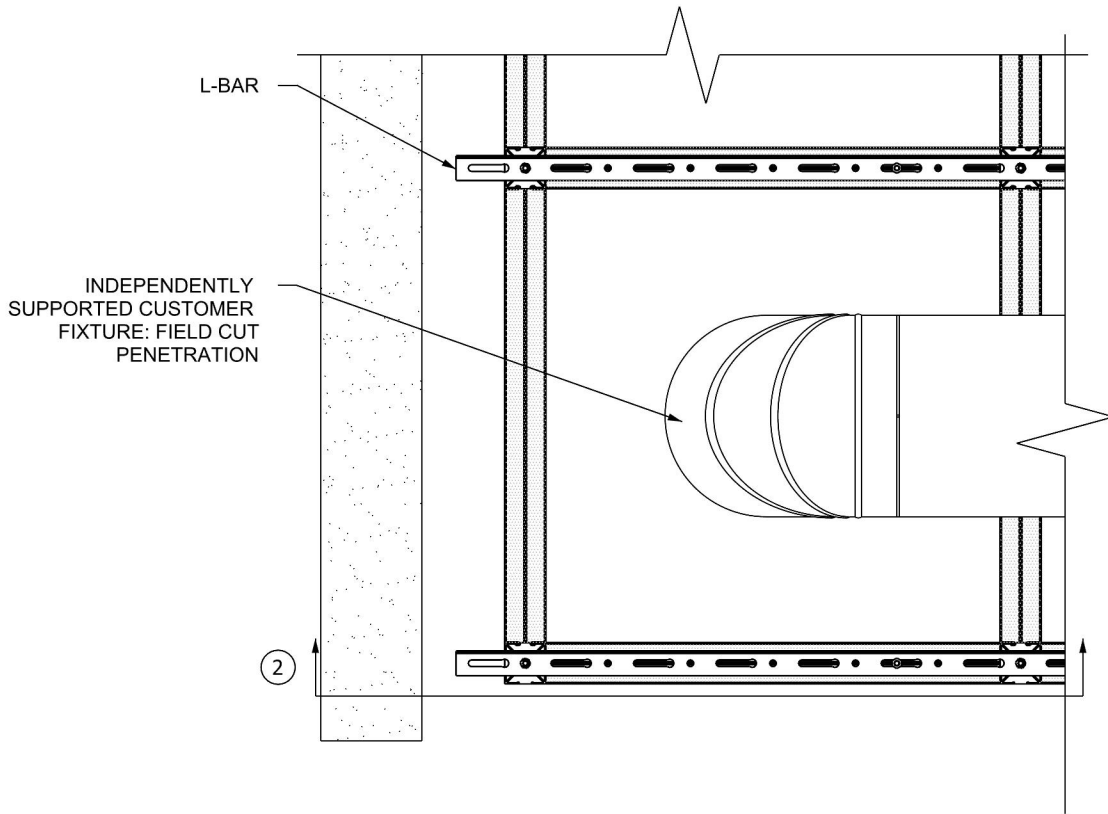
1 Trim Detail 2 - Plan View



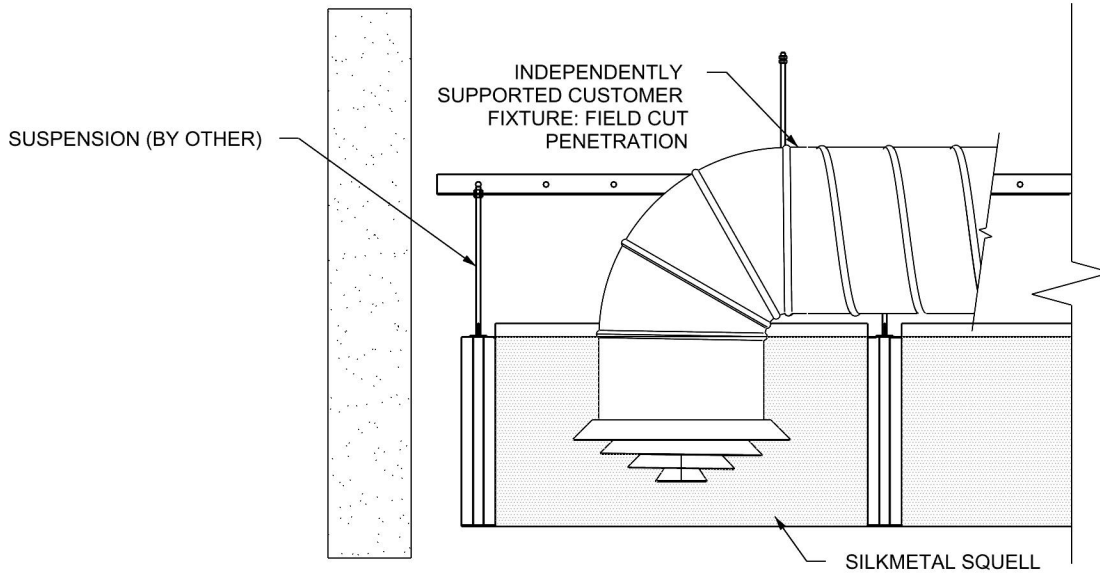
2 Trim Detail 2 - Isometric



3 Trim Detail 2 - Section



1 HVAC Detail - Plan View



2 HVAC Detail - Section View