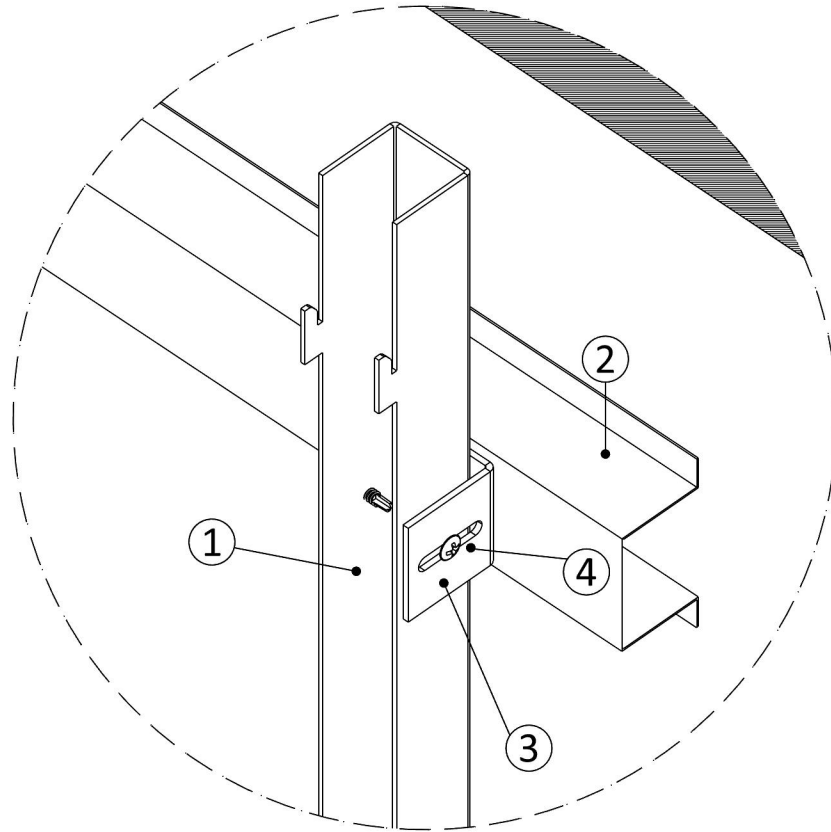
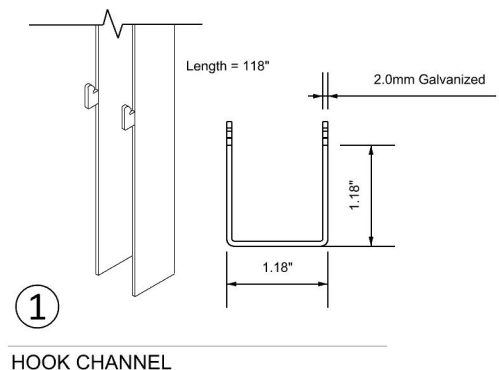


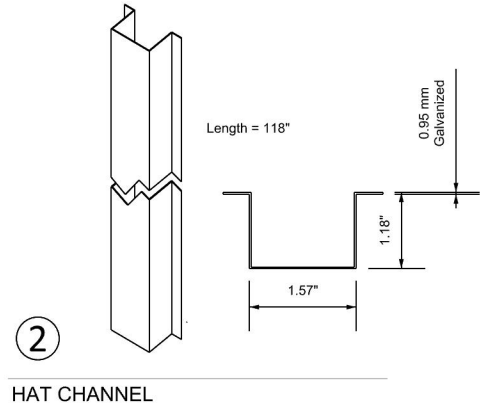
1 HOOK-ON PANEL (BACK SIDE)



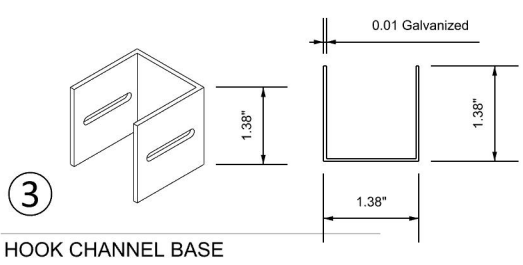
A Hardware



1
HOOK CHANNEL



2
HAT CHANNEL



3
HOOK CHANNEL BASE



4
SELF DRILLING SCREW



Silk Metal Hook-On Wall Panel - Standard Detail Set

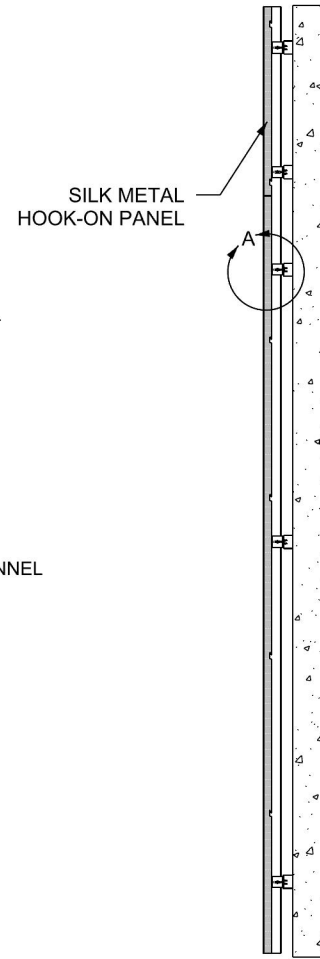
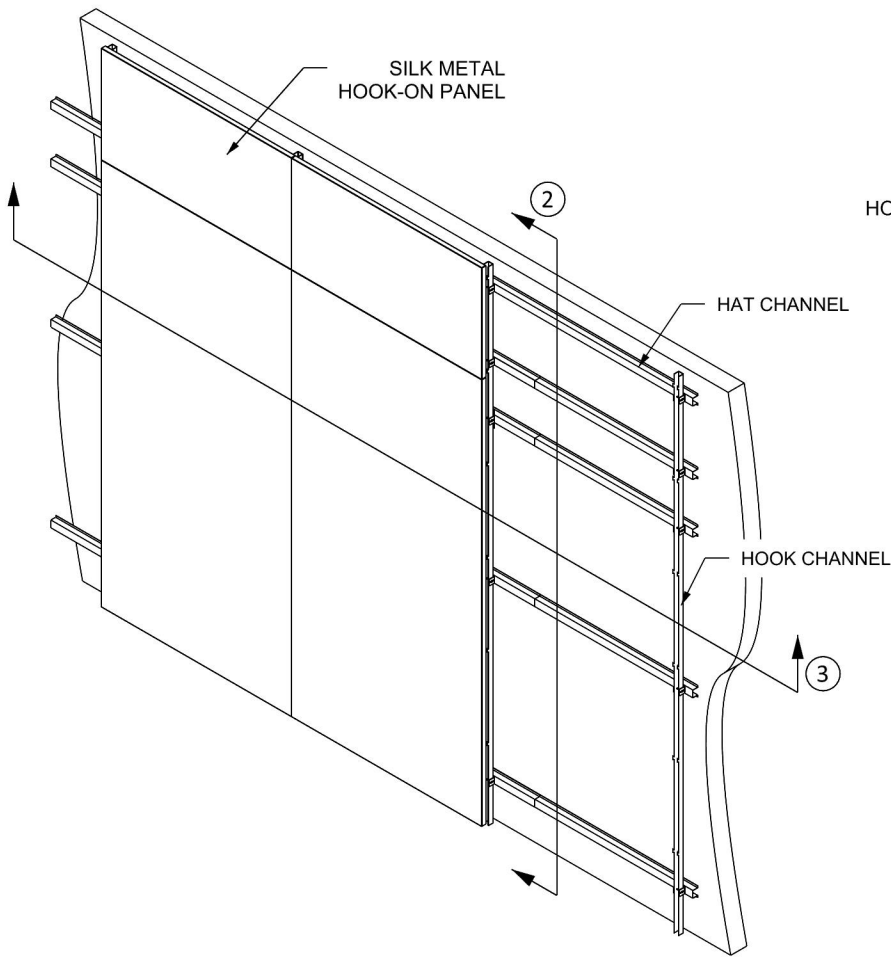
Parts & Hardware

REVISION DATE : 4/21/2026

SHEET NUMBER
2 OF **6**

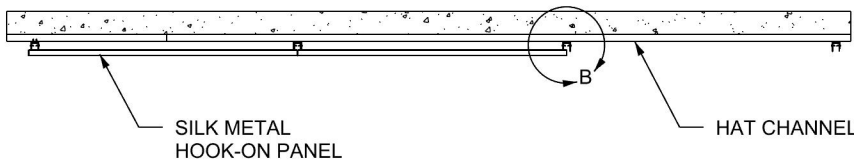
DRAWN BY: PJ

DO NOT SCALE DRAWING. FIGURED DIMENSIONS ARE TO BE FOLLOWED. READ THIS DRAWING IN CONNECTION WITH GENERAL ARCHITECTURAL PLANS, STRUCTURAL PLANS, AND OTHER RELATED DRAWINGS. THESE DRAWINGS REPRESENT ASI'S UNDERSTANDING AND INTERPRETATION OF THE ARCHITECTURAL DRAWINGS AND HOW ASI PRODUCTS RELATE TO THE PROJECT. COPYRIGHT ASI © 2023

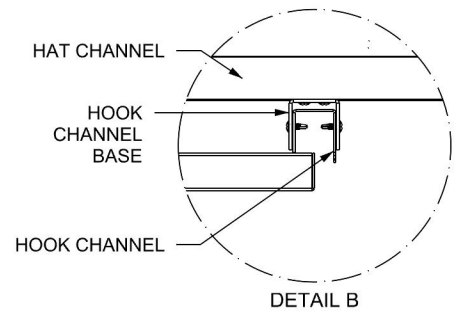
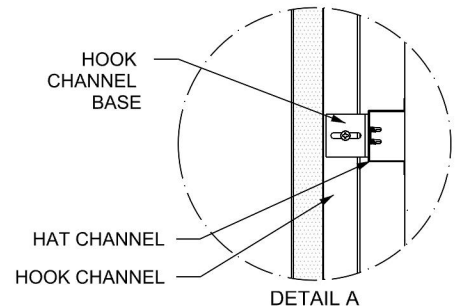


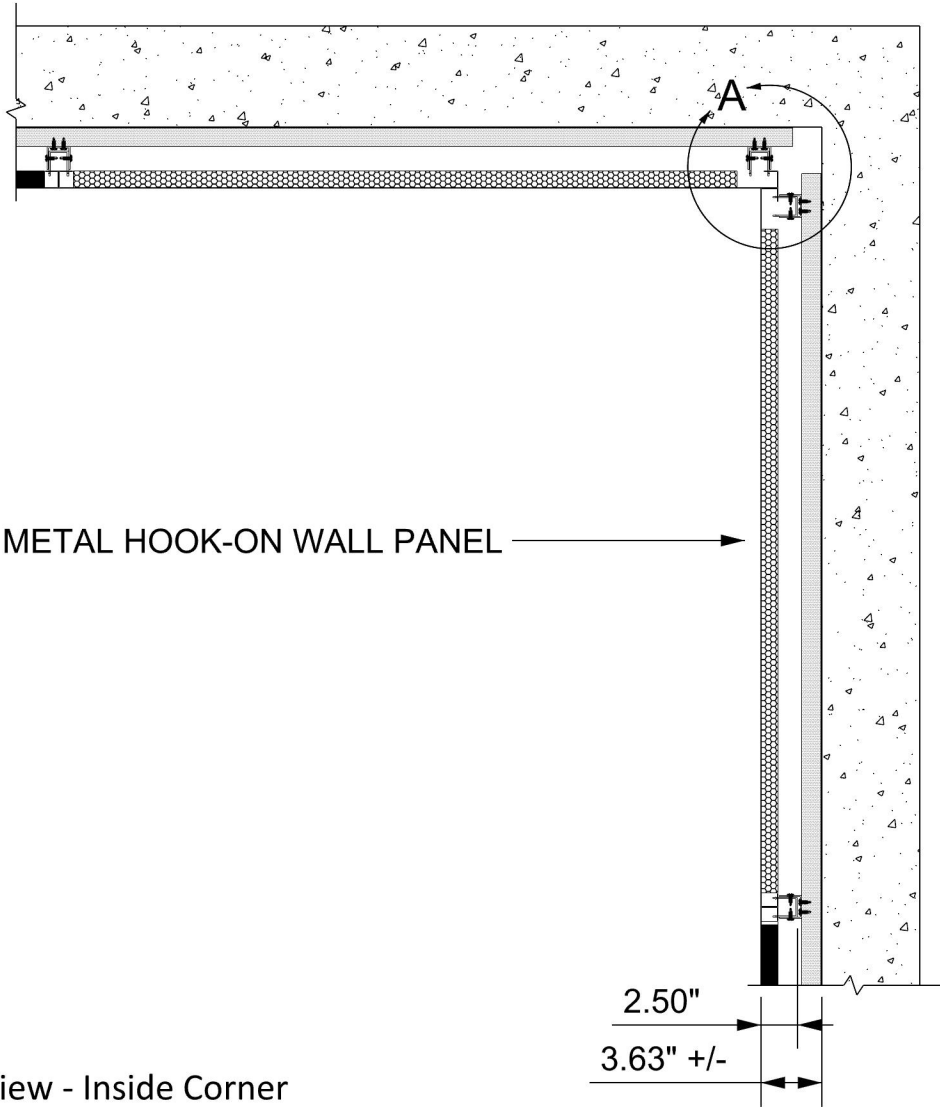
1 Typical Region - ISO

2 Vertical Section

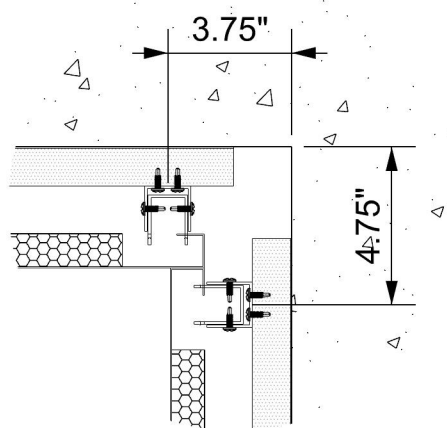


3 Horizontal Section

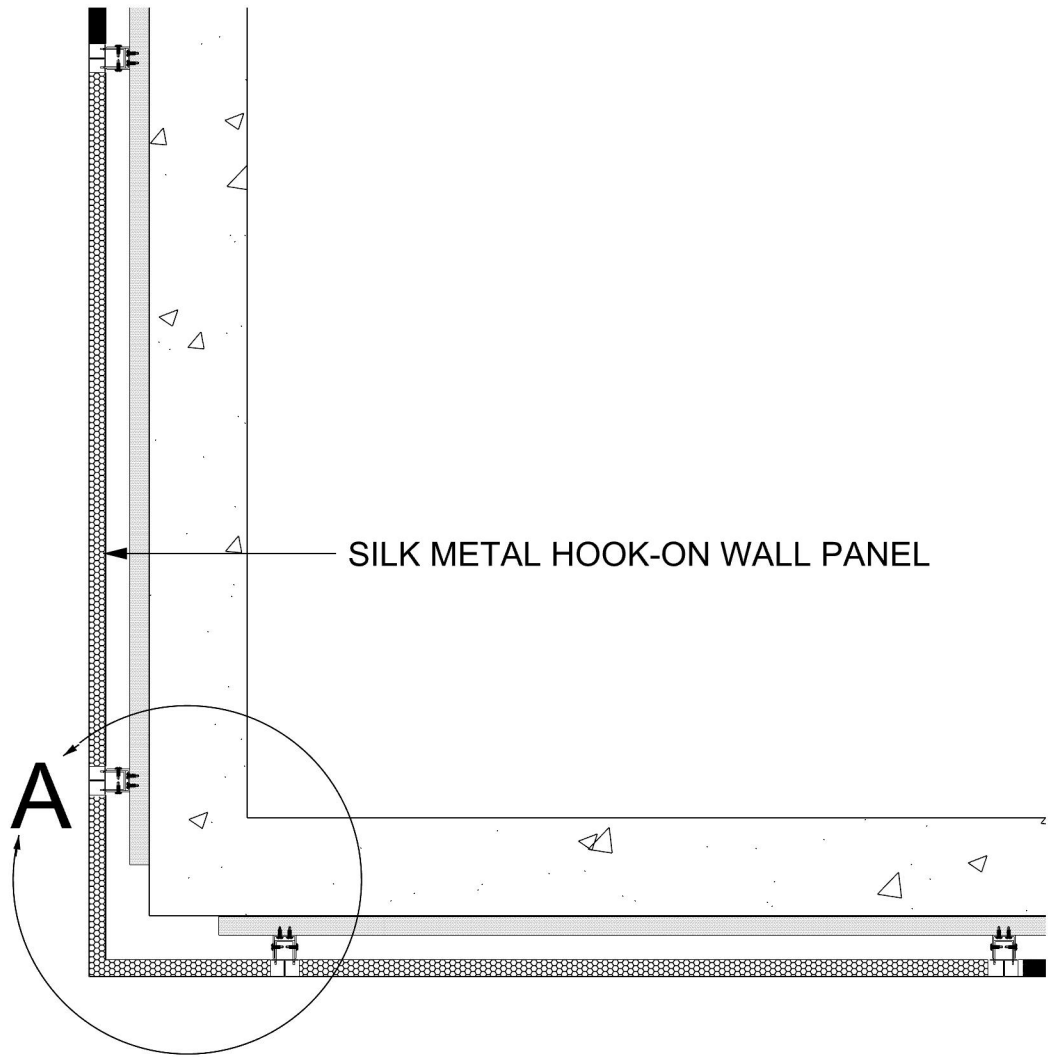




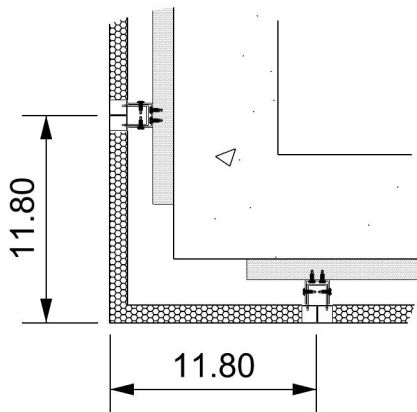
1 Standard View - Inside Corner



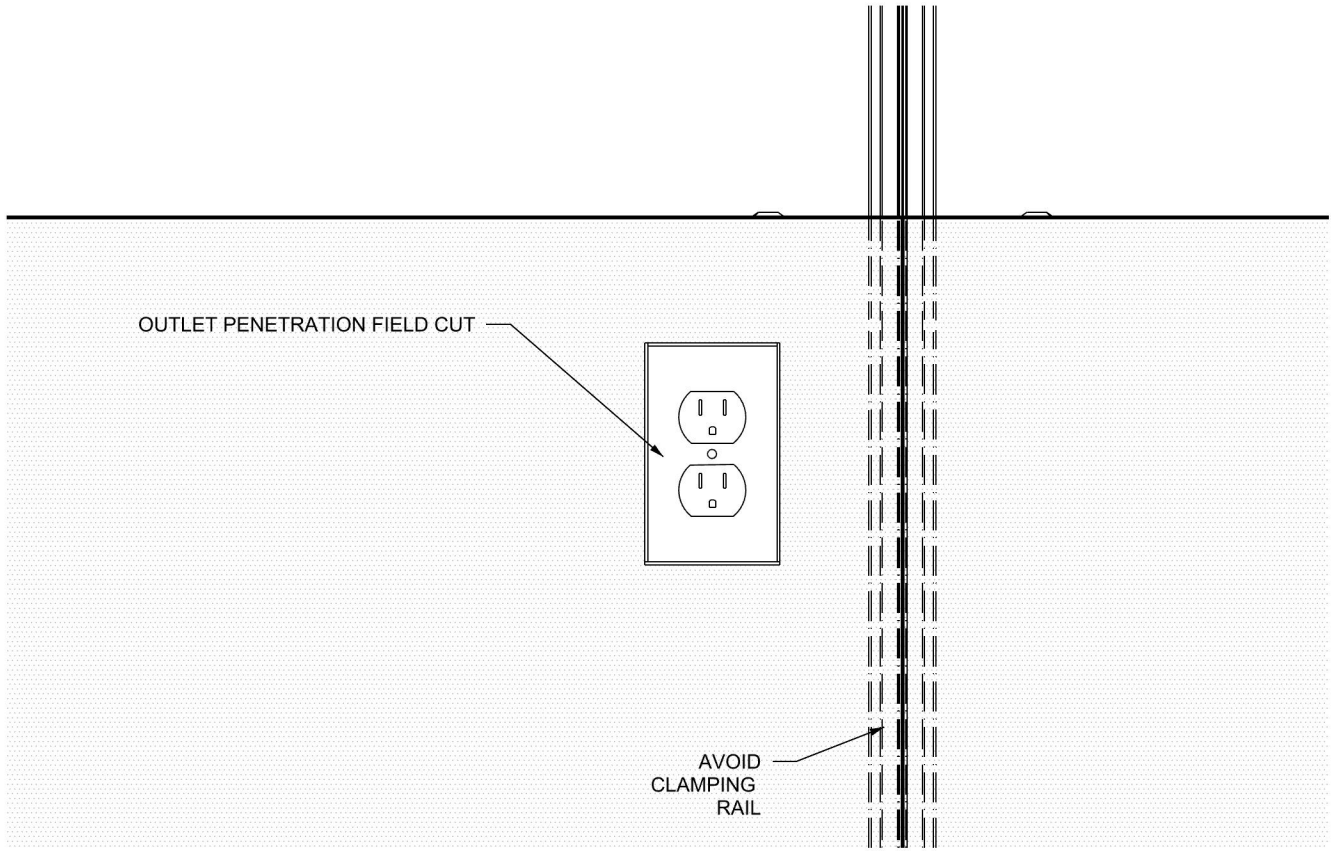
2 Inside Corner Detail A



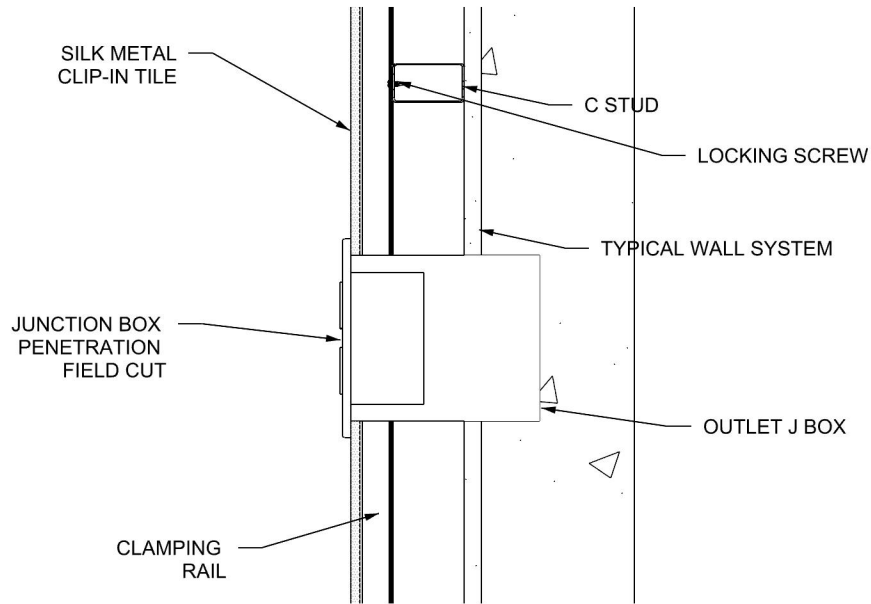
1 Standard View - Outside Corner



2 Outside Corner Detail A



1 Outlet - Plan View



2 Outlet - Section View