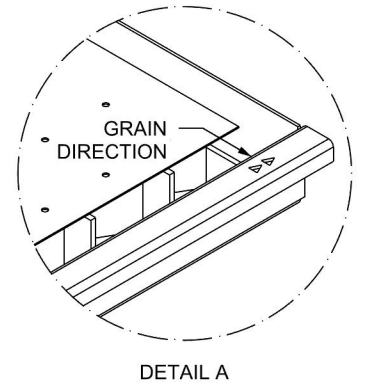
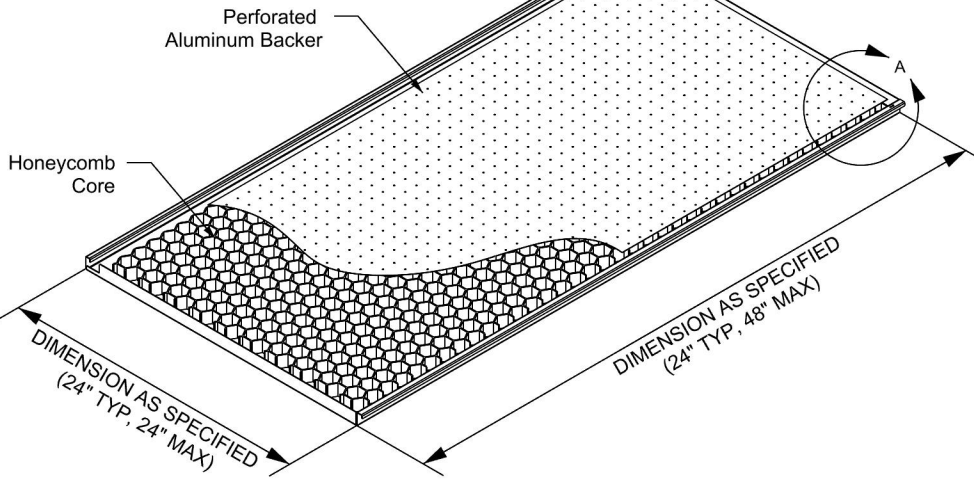
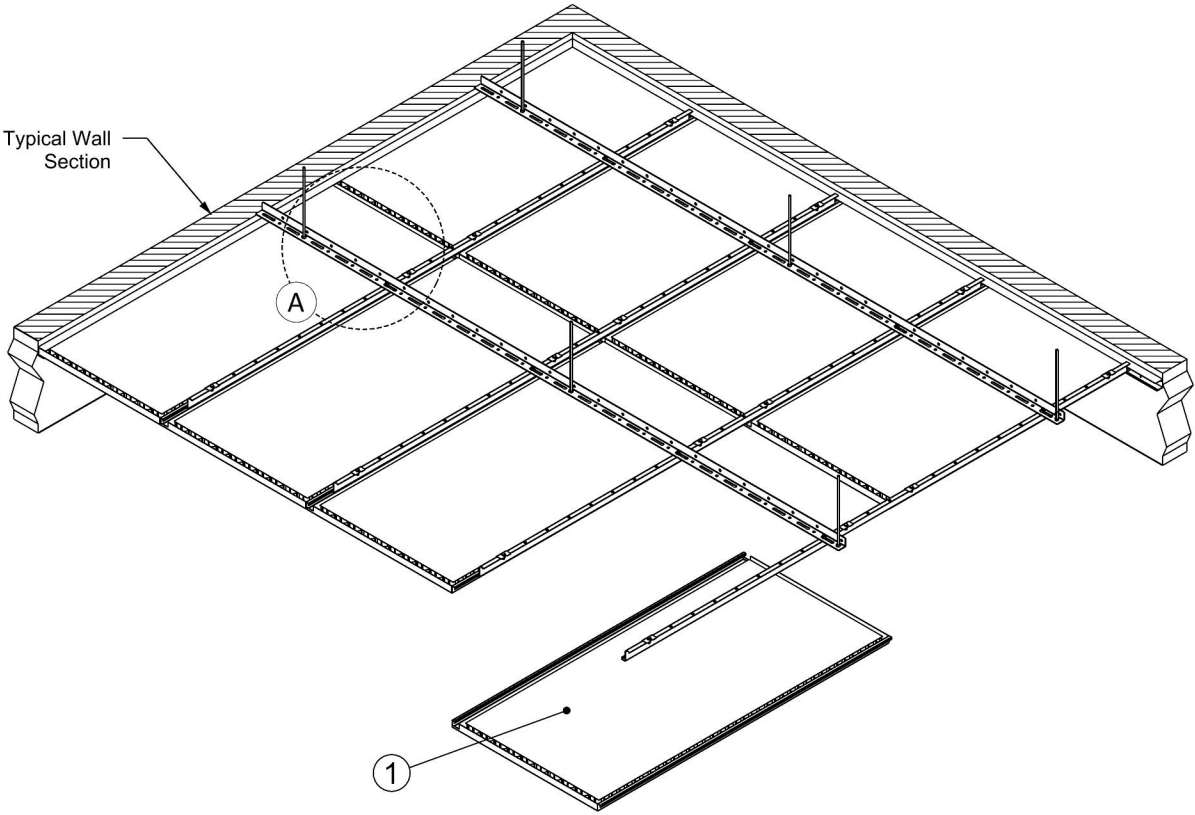
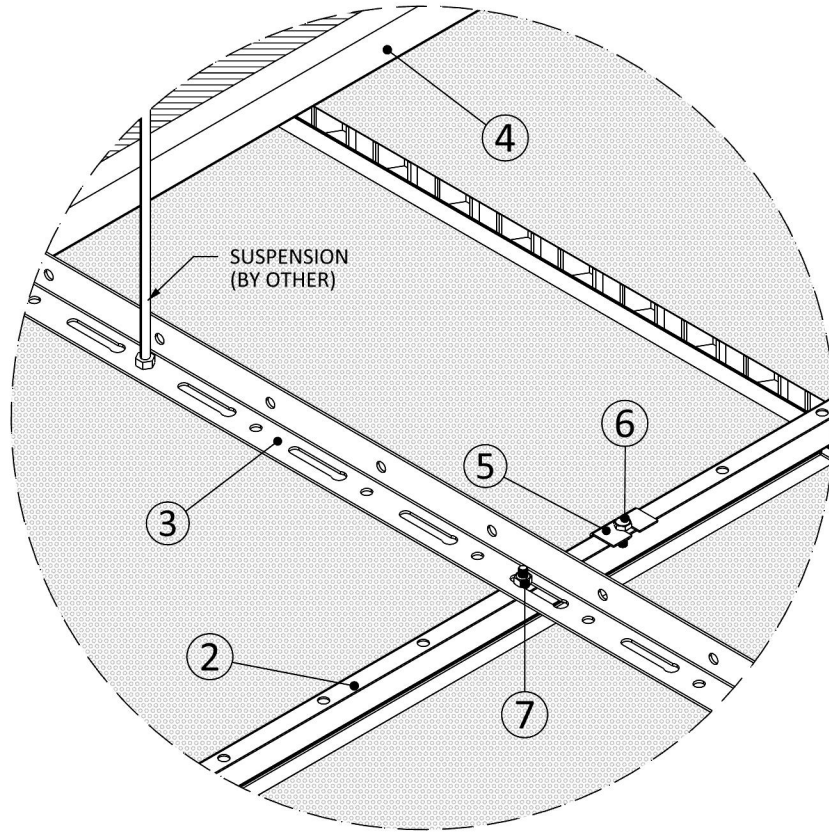


Typical Wall Section

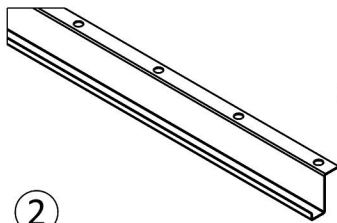


1

HOOK-ON TILE

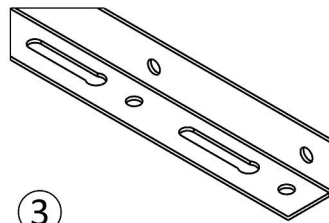


A Hardware



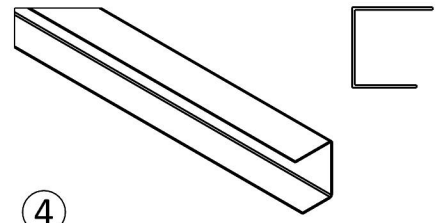
2

Z - BAR



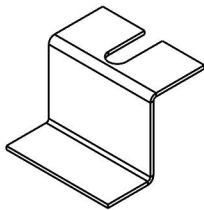
3

L - BAR



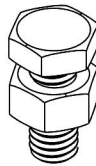
4

HOOK-ON WALL CHANNEL



5

CLIP



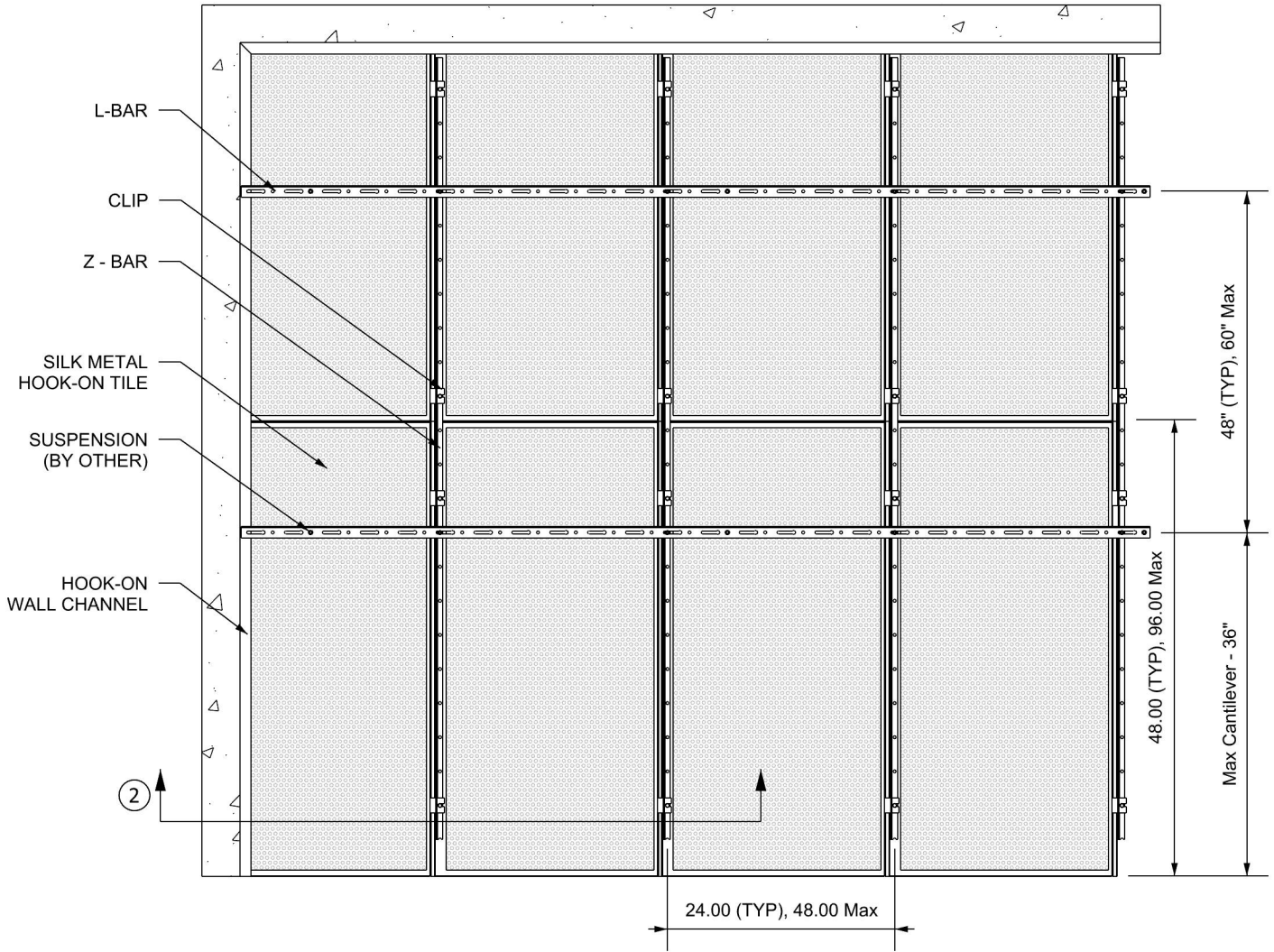
6

LOCKING SCREW & NUT

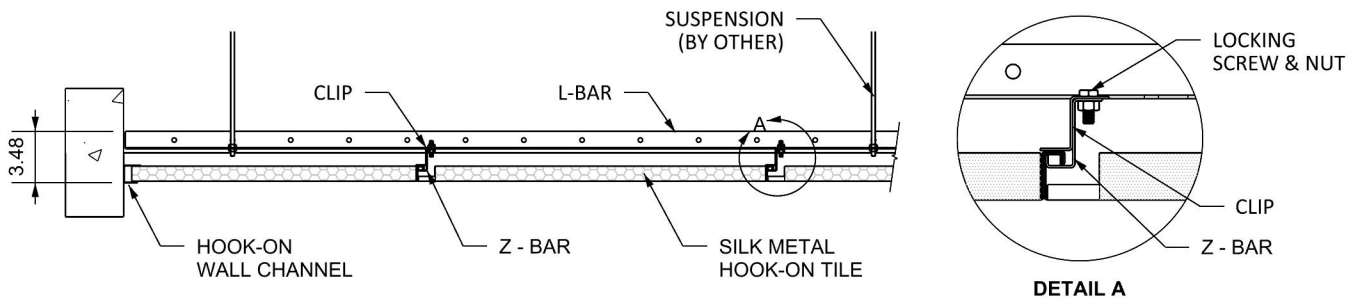


7

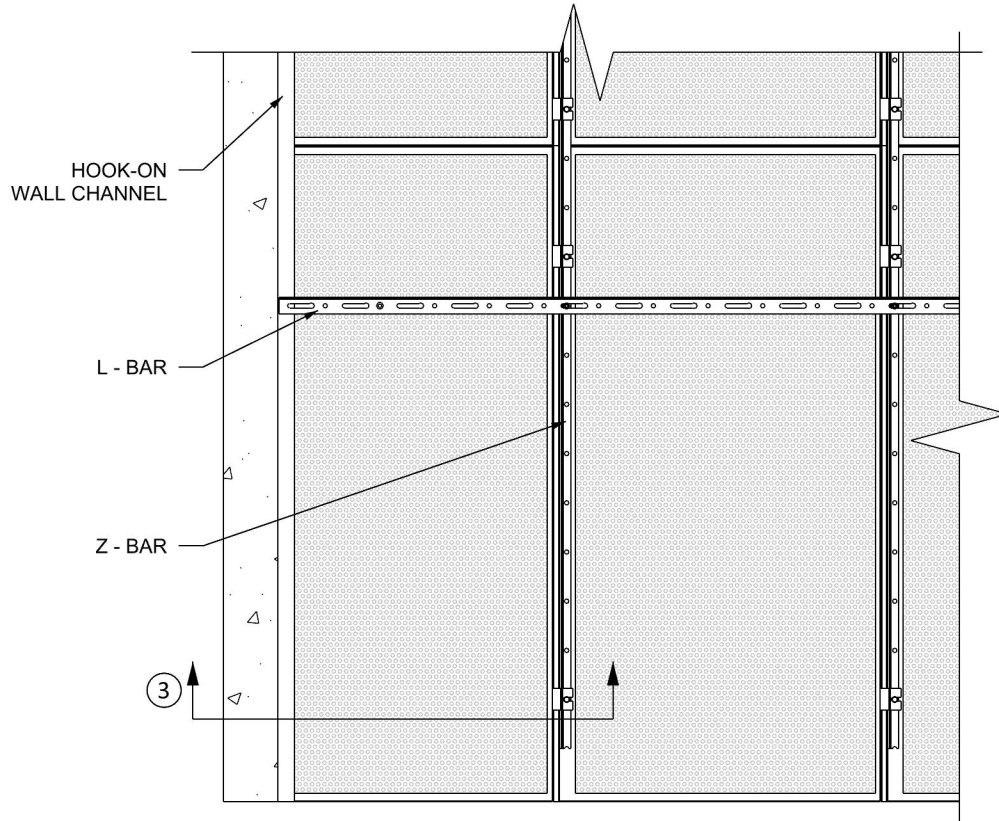
FRAME SCREW & NUT



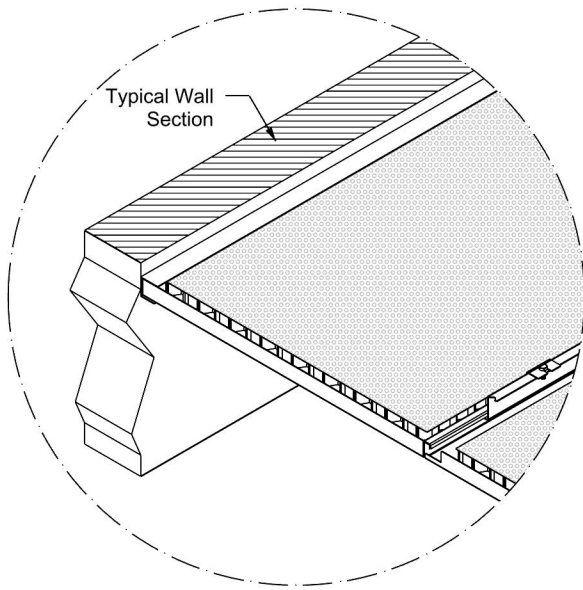
1 Typical Region - Plan View



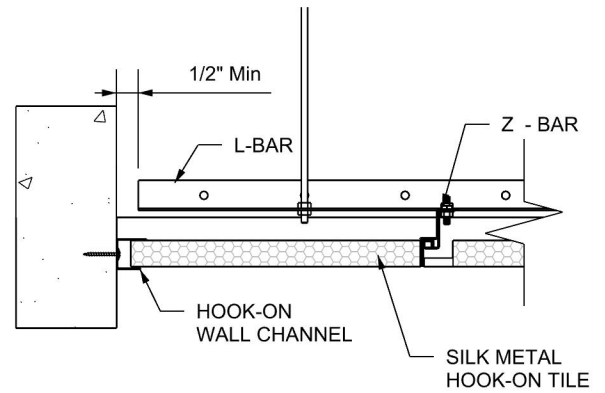
2 Typical Region - Section View



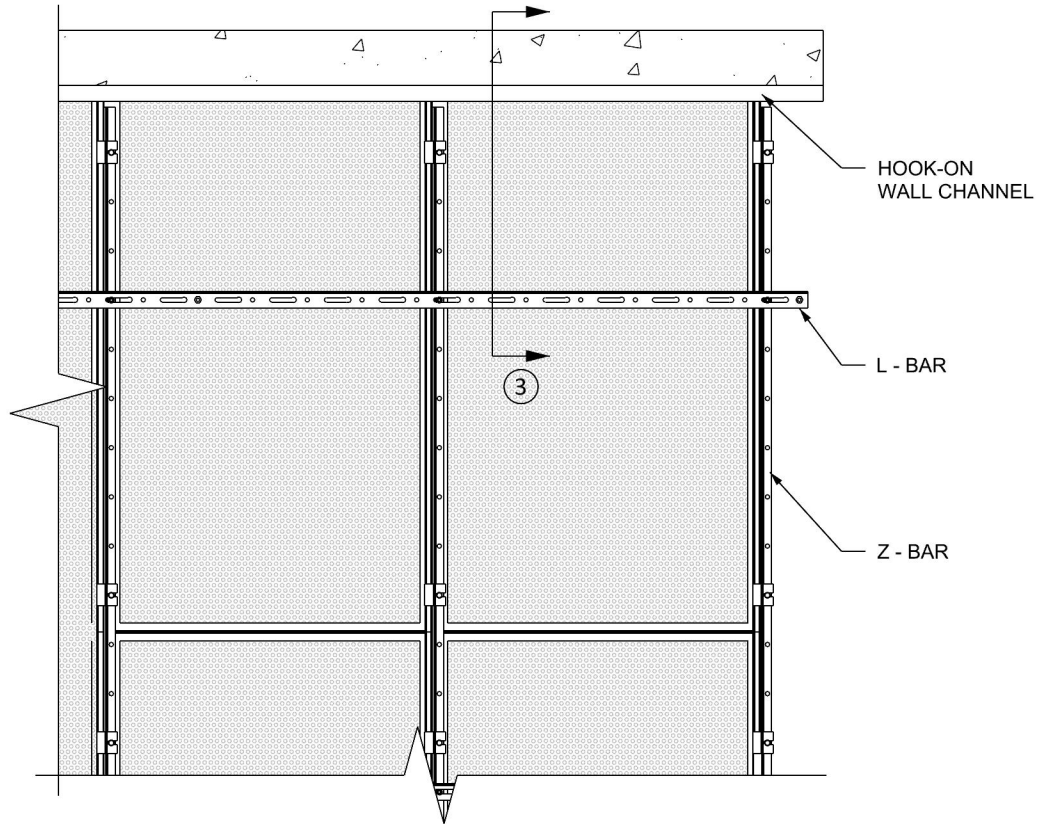
1 Trim Detail 1 - Plan View



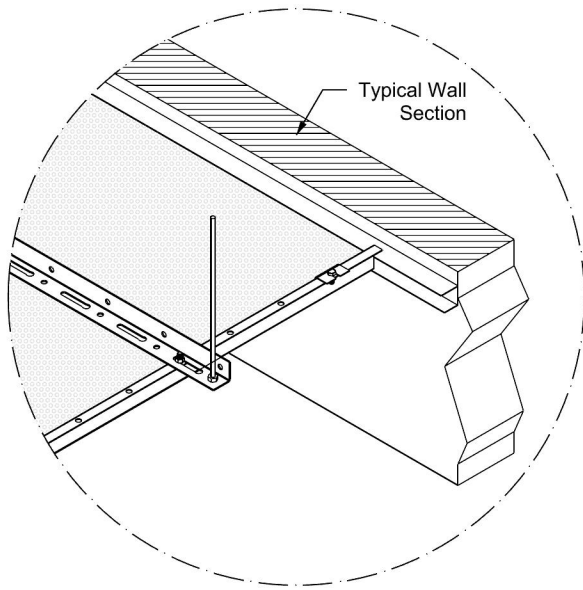
2 Trim Detail - Isometric



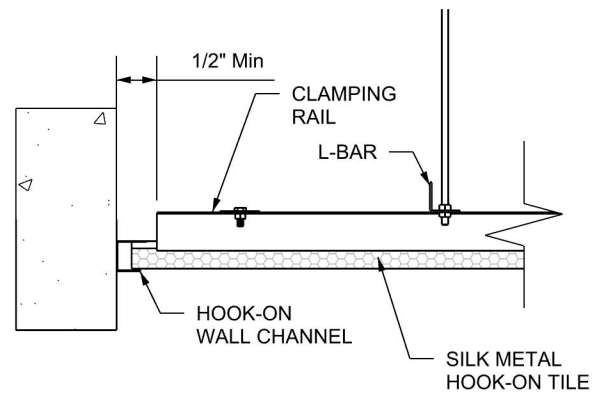
3 Trim Detail 1 - Section



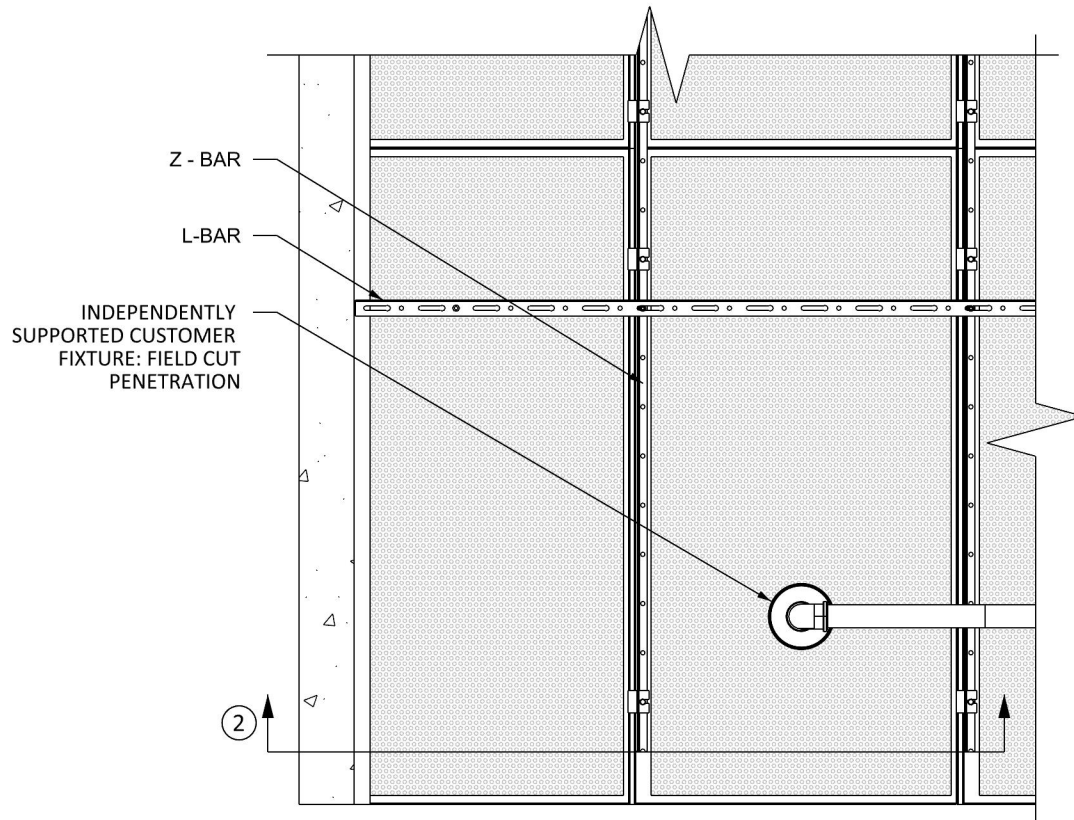
1 Trim Detail 2 - Plan View



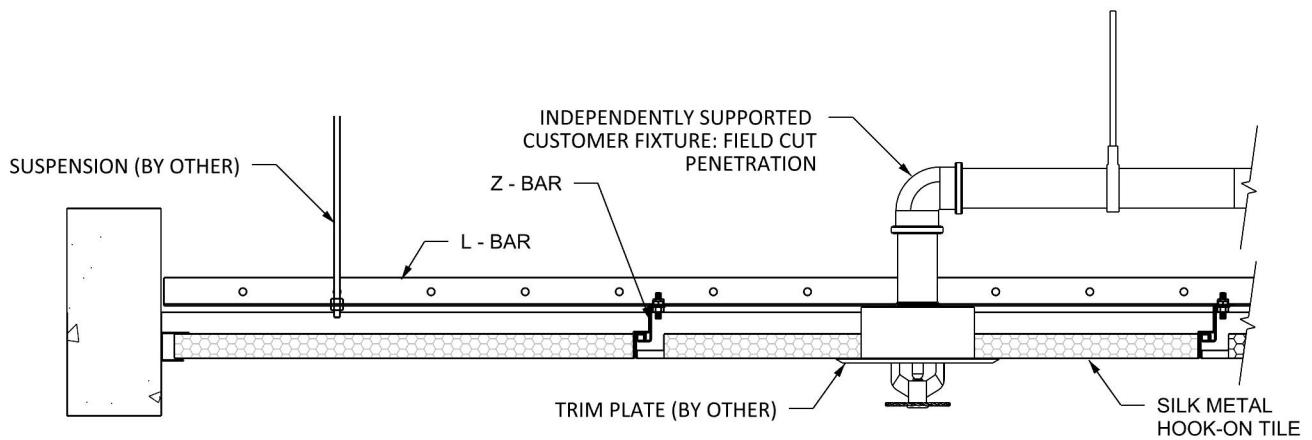
2 Trim Detail 2 - Isometric



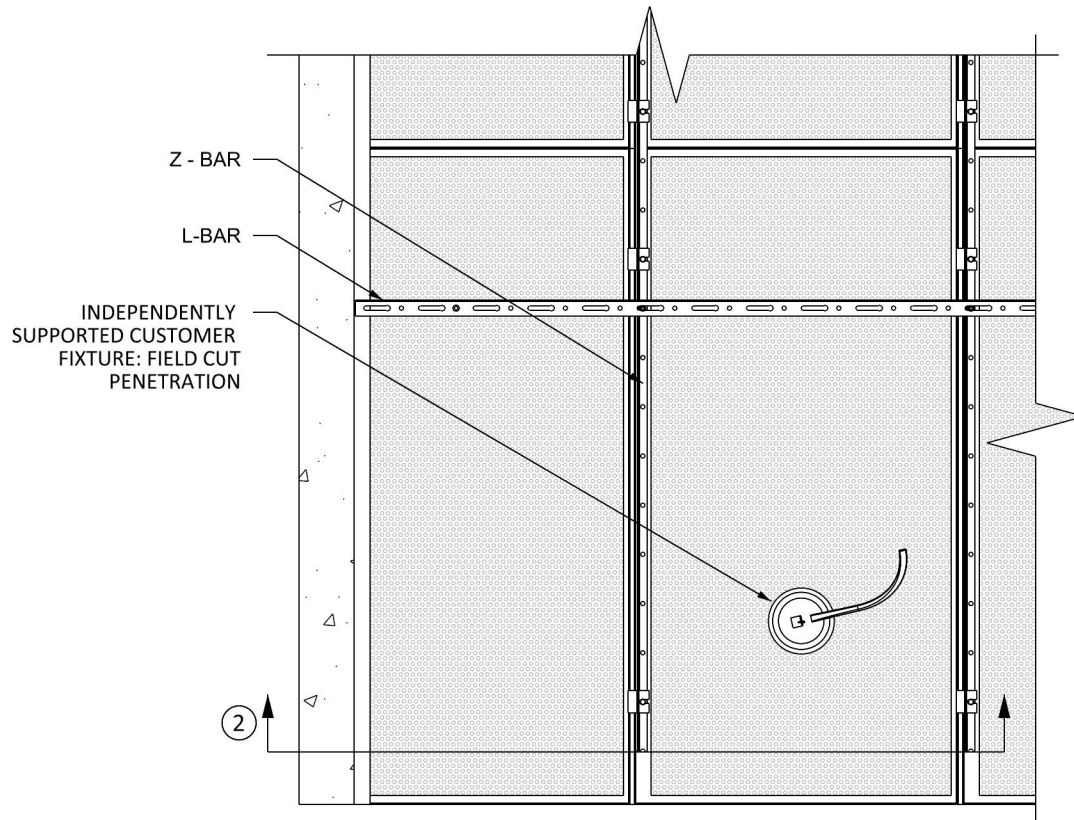
3 Trim Detail 2 - Section



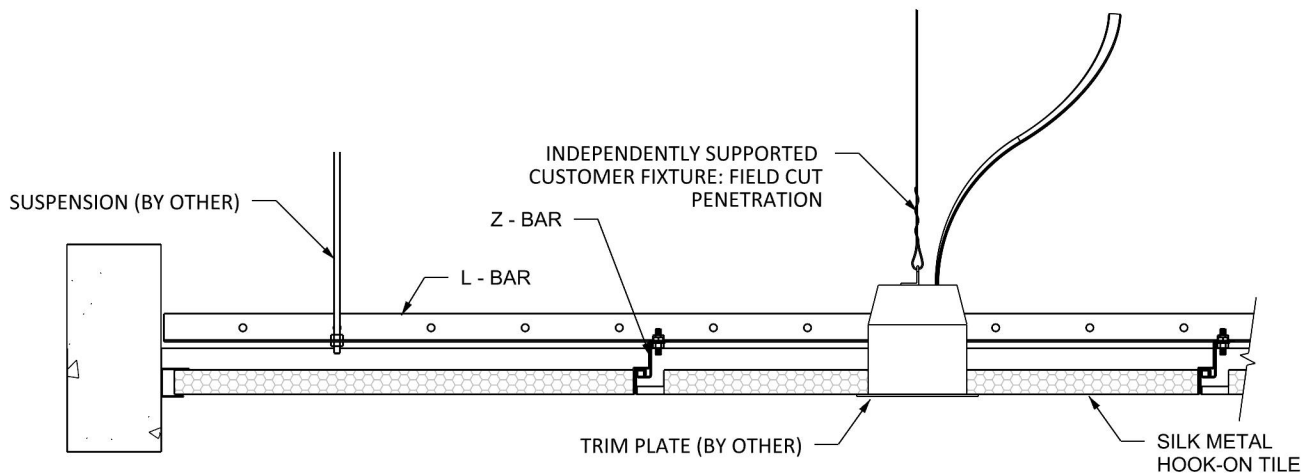
1 Sprinkler Detail - Plan View



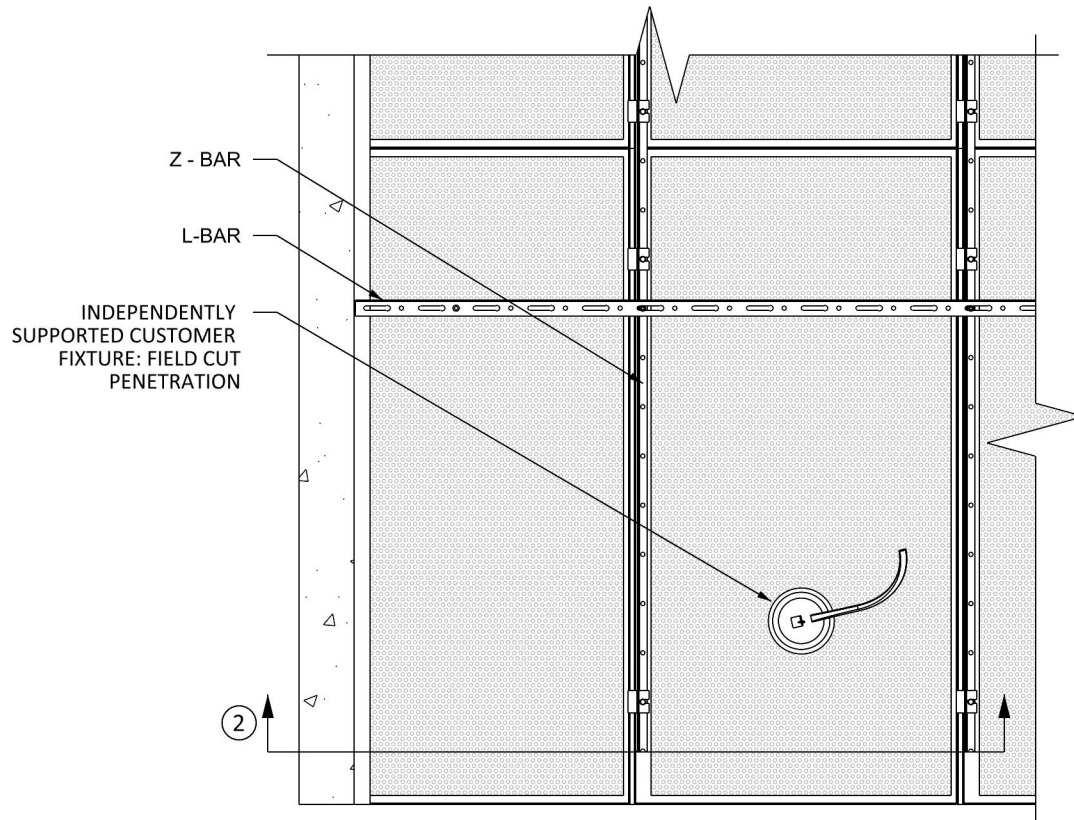
2 Sprinkler Detail - Section View



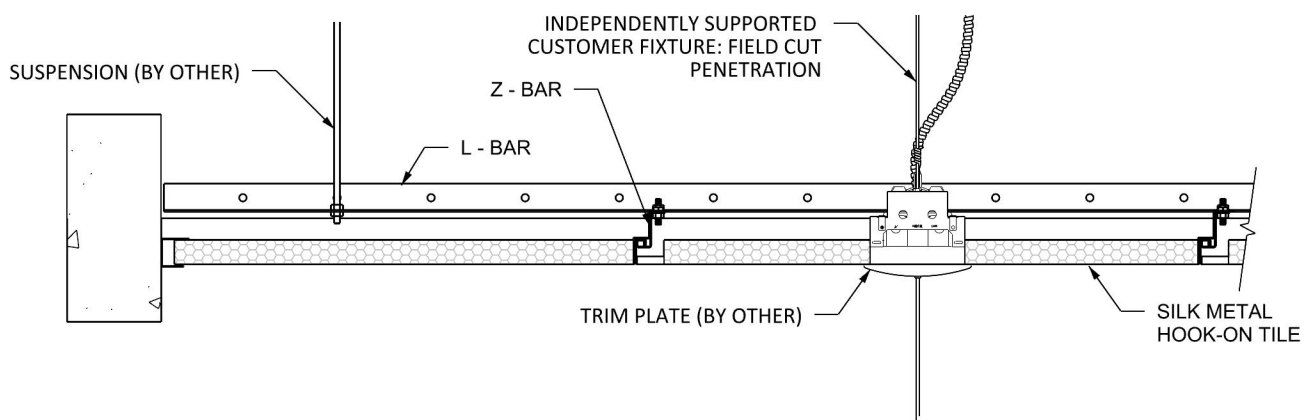
① Recessed Light Detail - Plan View



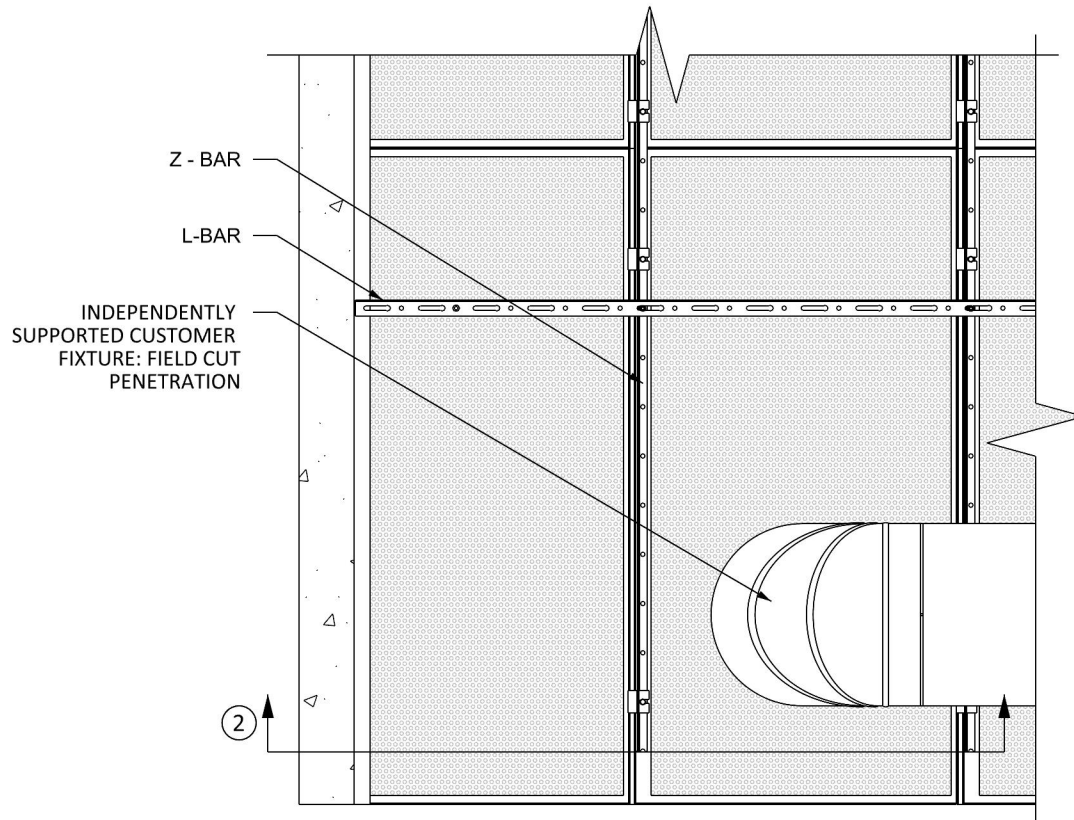
② Recessed Light Detail - Section View



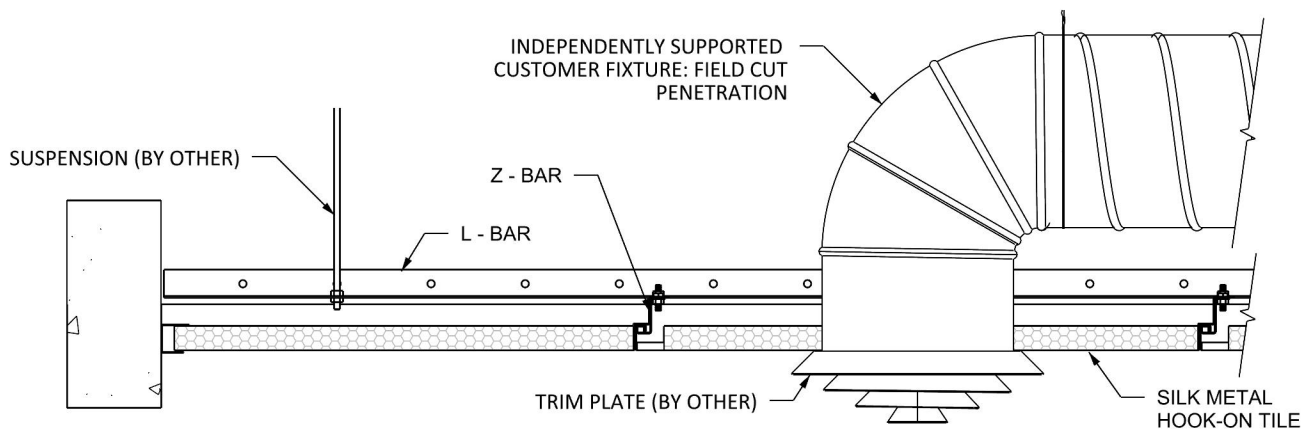
1 Pendant Light Detail - Plan View



2 Pendant Light Detail - Section View



1 HVAC Detail - Plan View



2 HVAC Detail - Section View