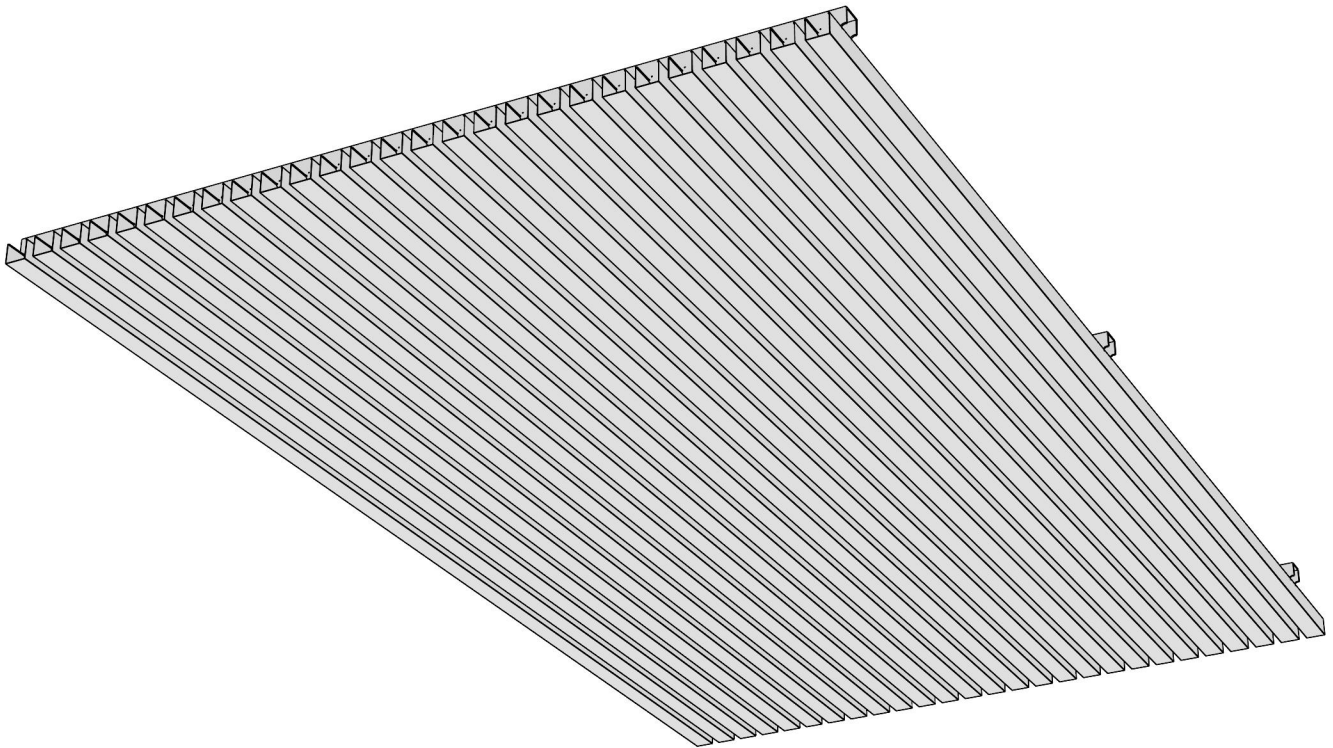




M A T E R I A L L O G I Q



INSTALLATION INSTRUCTIONS: GRILLE

INSTALLATION METHOD: **DIRECT ATTACH // 1/4"-20 HANGER**

Overview//Parts and Hardware

ATTENTION: If you have additional questions after reviewal of this manual please contact your local MATERIAL LOGIQ representative or a MATERIAL LOGIQ professional at our headquarters (800)220-8412

MATERIAL LOGIQ MANUFACTURES PRODUCTS THAT MUST BE HANDLED WITH CARE. PRODUCTS SHOULD ONLY BE INSTALLED BY EXPERIENCED INSTALLERS.

RECEIVING

Prior to unpacking, check package for any obvious shipping damage. If no evidence of damage is present, move package to a dry/controlled area and inspect it for dents, breakage, or any lesser-noticable damage that may affect enclosed panels. If damage has been identified, record it/photograph it, and open to inspect for concealed damage. If damage was transferred to the product, document/photograph the issues.

SPECIAL HANDLING INSTRUCTIONS

When handling product, care must be taken to not damage the faces. Handle all edges with care. To avoid damage, do not twist or bow product during installation

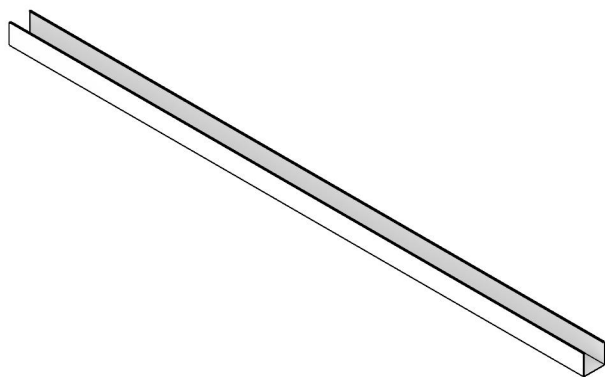
PRIOR TO INSTALLATION

Determine assembly location on ceiling and mark hanging locations. Grille can be attached to a frame or direct to ceiling. MATERIAL LOGIQ recommends measuring each hanger location and transferring measurements to ceiling in advance.

Assemble as illustrated and affix to ceiling, check for level.

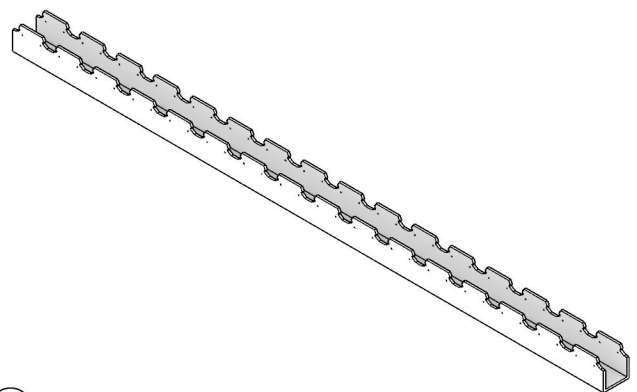
Continue installing additional units as illustrated, ensuring grille is properly seated and units are level.

INCLUDED COMPONENTS:



①

GRILLE RAIL



②

BACKER

Microperforated Aluminum Grille - Installation Instructions

Overview//Parts and Hardware

REVISION DATE : 4/10/2026

DO NOT SCALE DRAWING. FIGURED DIMENSIONS ARE TO BE FOLLOWED. READ THIS DRAWING IN CONNECTION WITH GENERAL ARCHITECTURAL PLANS, STRUCTURAL PLANS, AND OTHER RELATED DRAWINGS. THESE DRAWINGS REPRESENT ASI'S UNDERSTANDING AND INTERPRETATION OF THE ARCHITECTURAL DRAWINGS AND HOW ASI PRODUCTS RELATE TO THE PROJECT. COPYRIGHT ASI © 2023

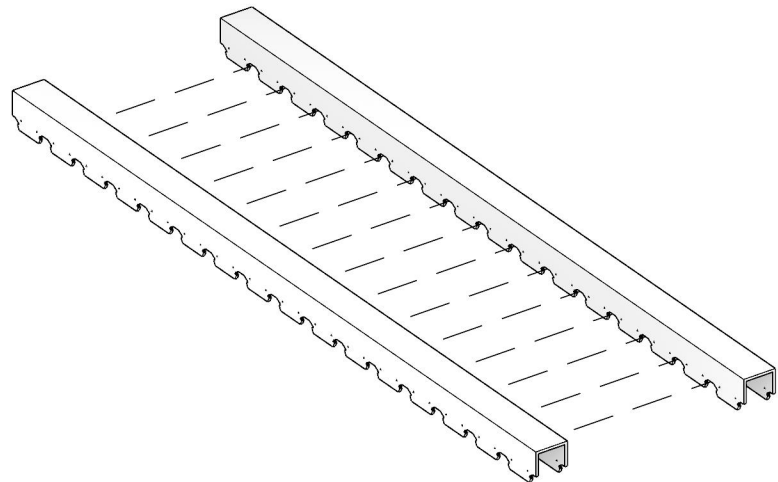
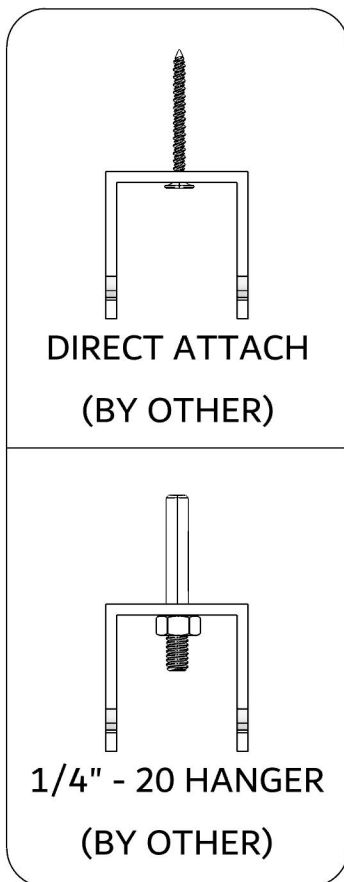
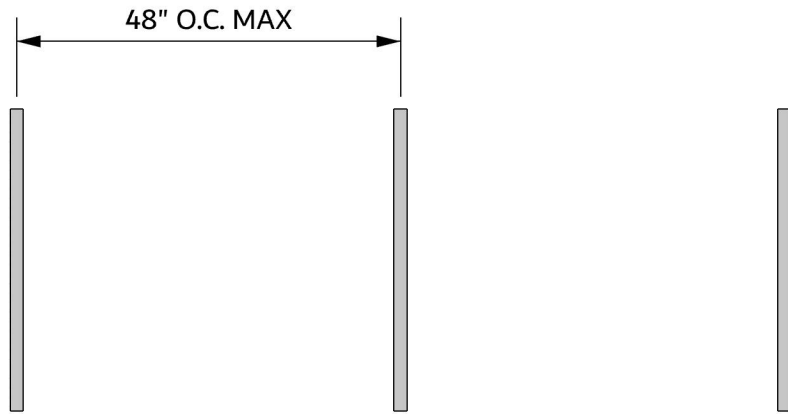
SHEET NUMBER

2 OF 6

DRAWN BY: GB

Backer Installation

Attach first row of backers to ceiling using specified hardware (BY OTHER) in accordance with local codes, regulations, and site conditions. Ensure backers are spaced no further than 48" O.C. and tabs are aligned.

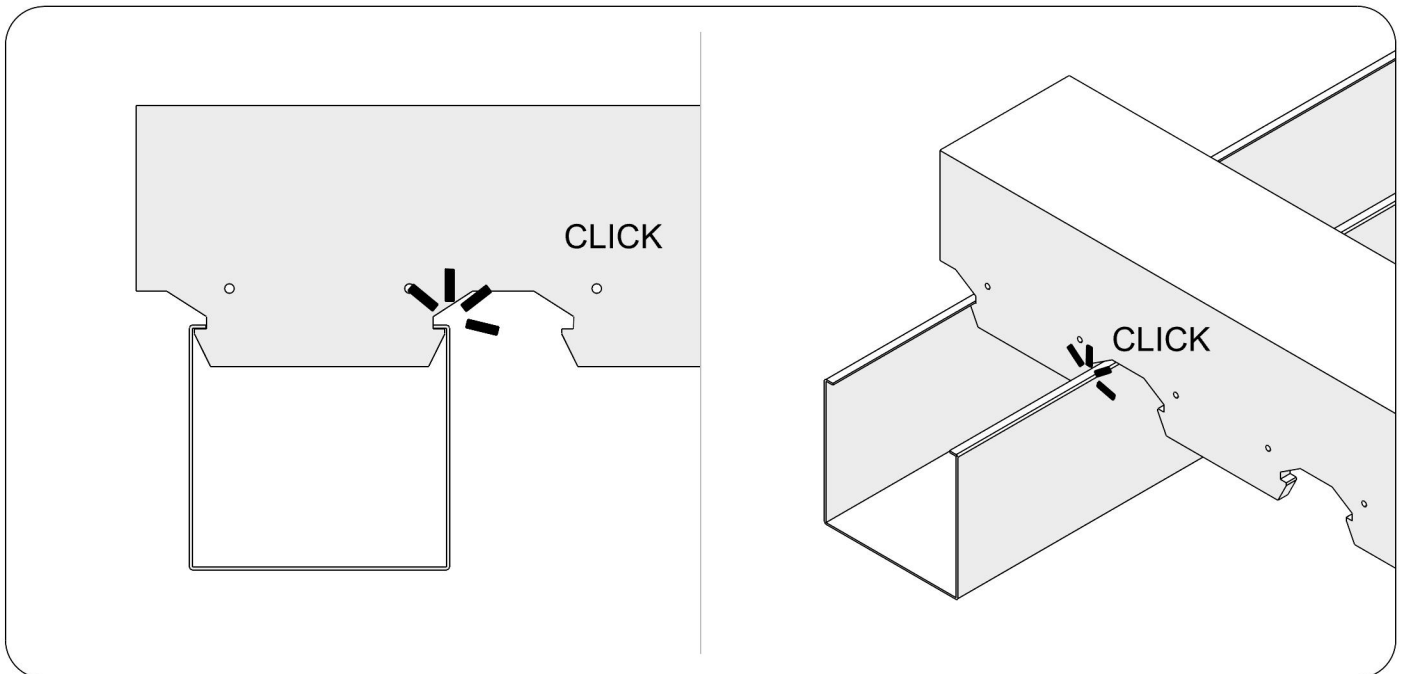
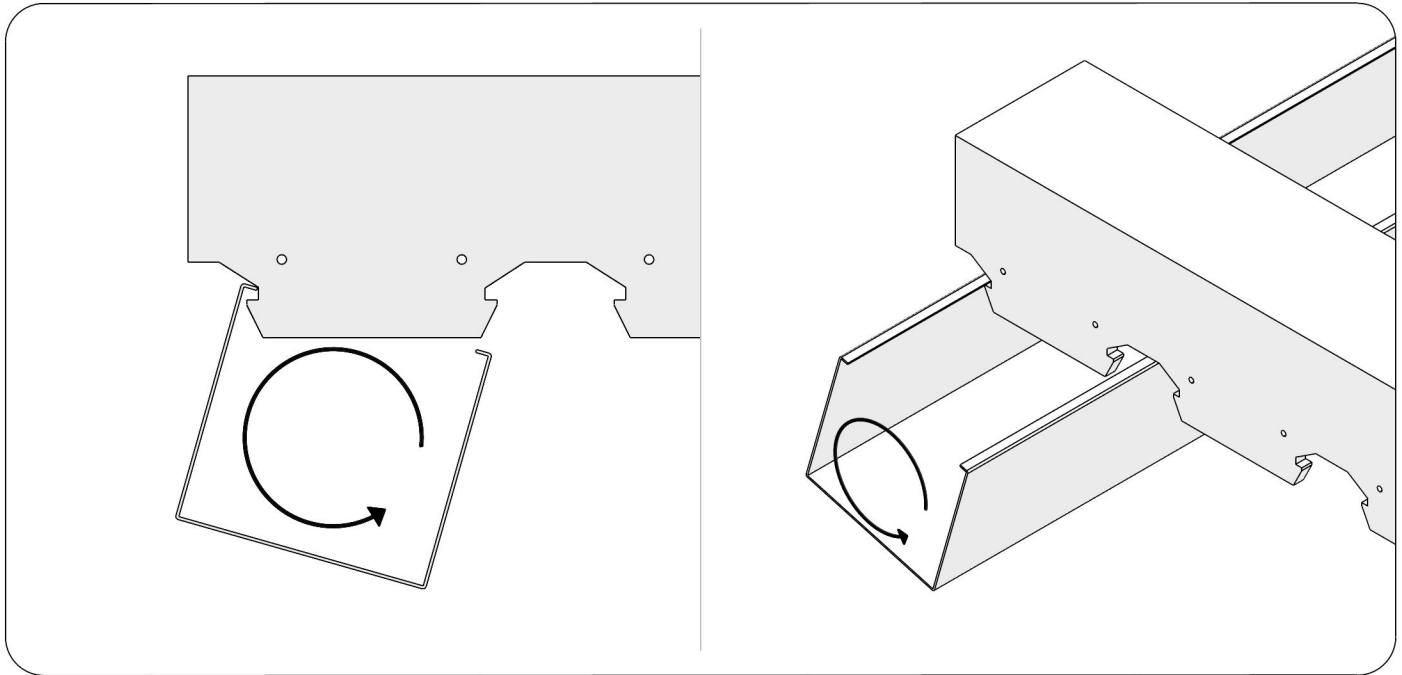


Ensure attachment locations are aligned

Grille Installation

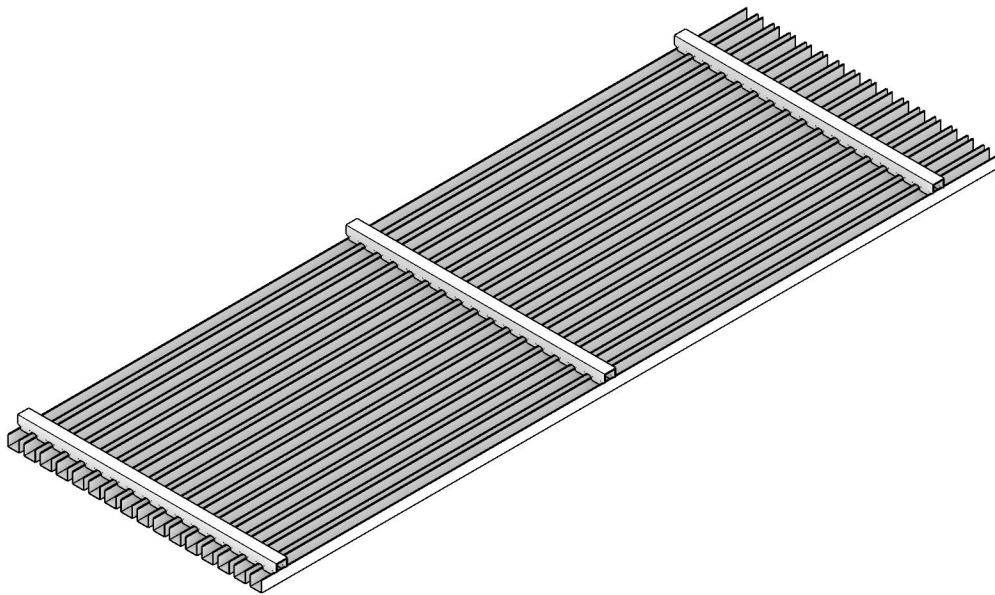
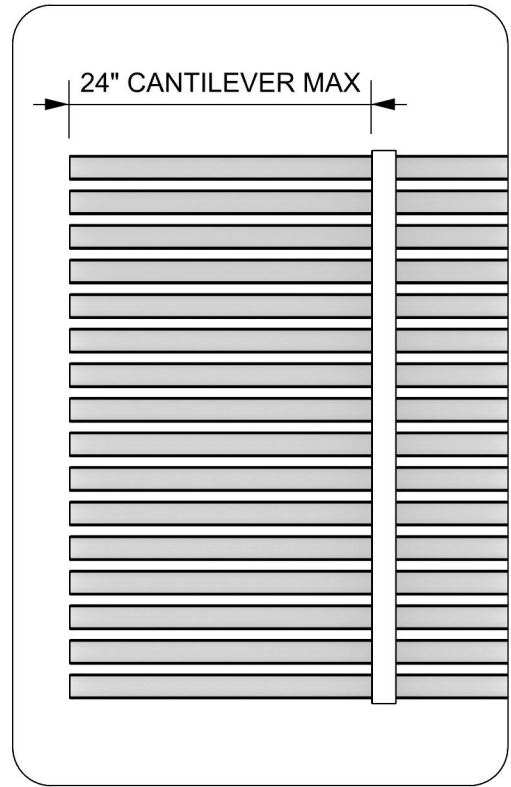
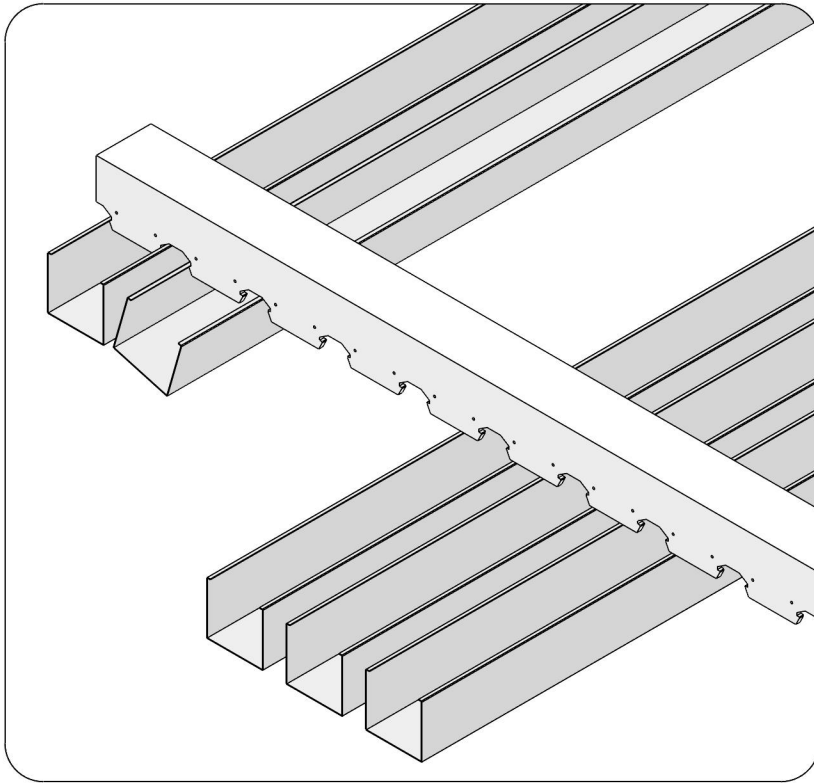
Align grille rail with slot on one side. Then, rotate until grille snaps into the opposing slot.

Ensure all tabs are seated before continuing to the next rail.



Grille Installation

Continue adding grille rails until the installation is complete, ensuring no cantilever exceeds 24".



Alignment details

Grille ends can be aligned square or staggered.

NOTE: A staggered end condition may require additional backers if catilever is too large. (Page 5)

