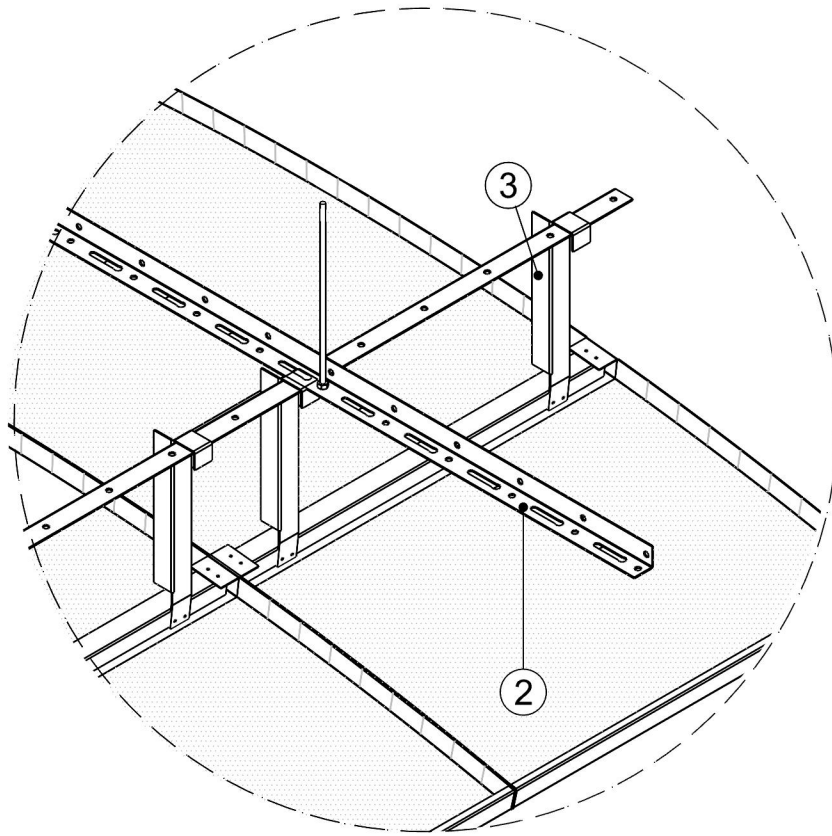
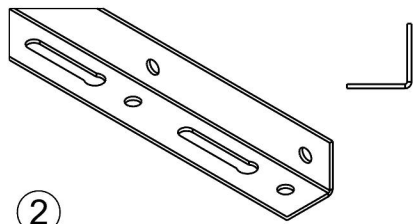


1

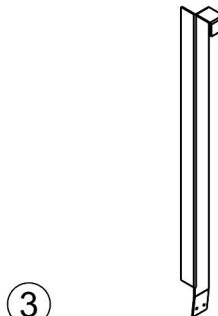
SILK METAL CLOUD



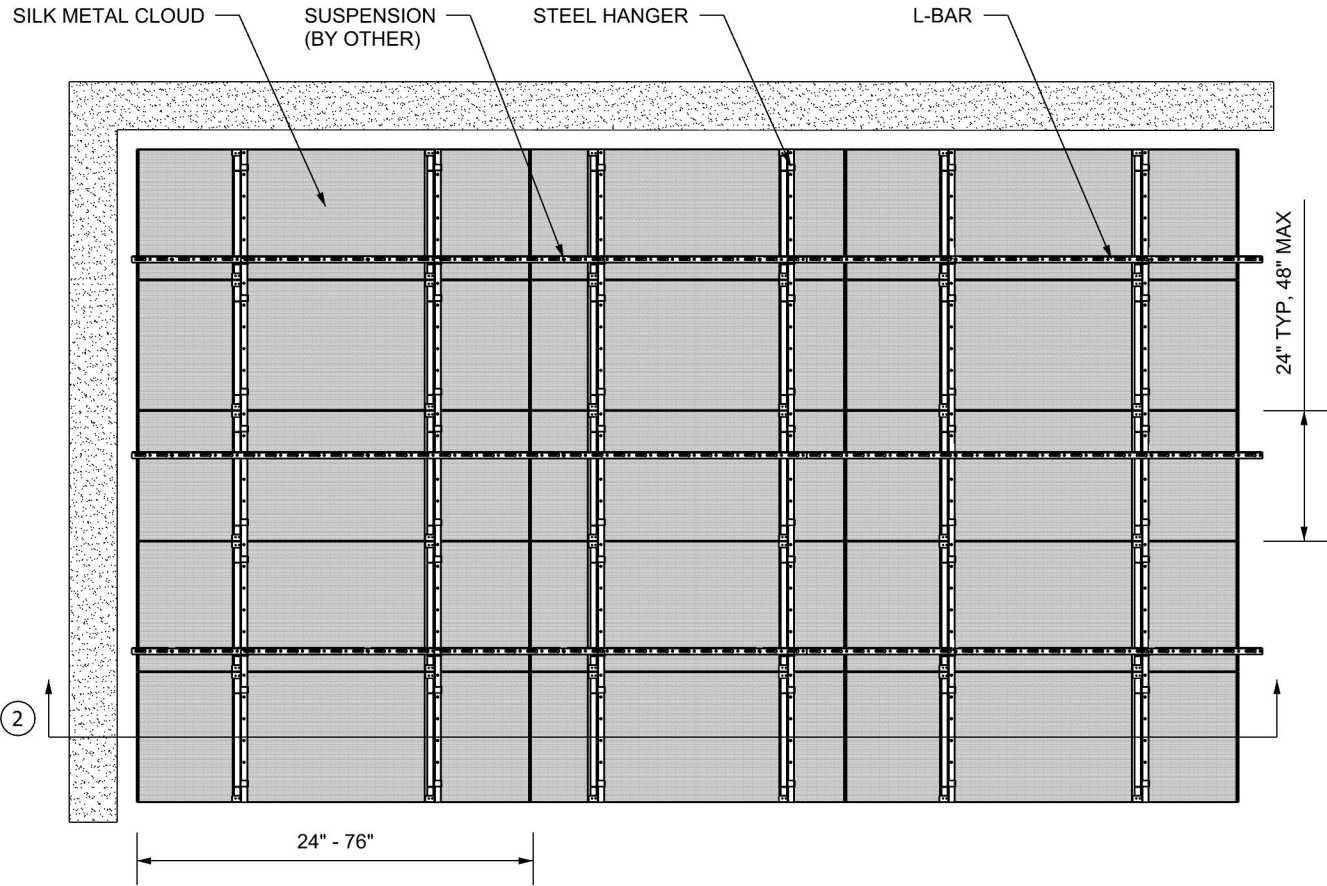
A Hardware



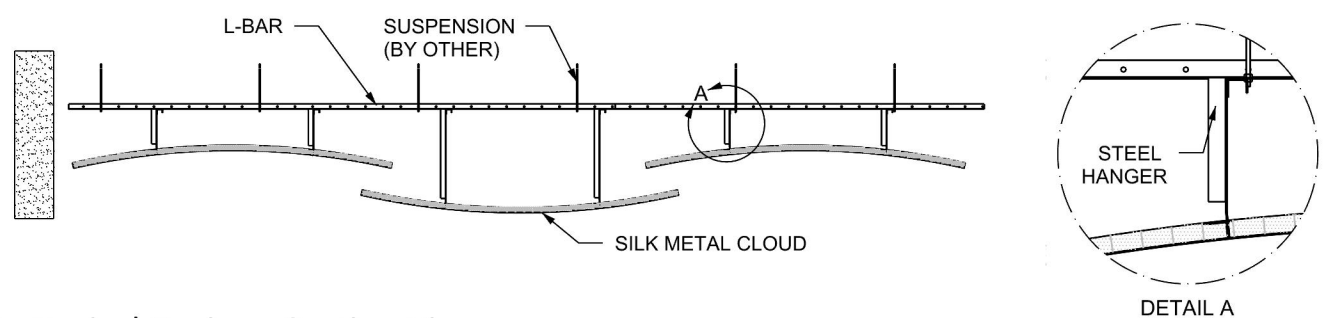
2
L-BAR



3
STEEL HANGER



1 Typical Region - Plan View



2 Typical Region - Section View



Silk Metal Cloud - Standard Detail Set

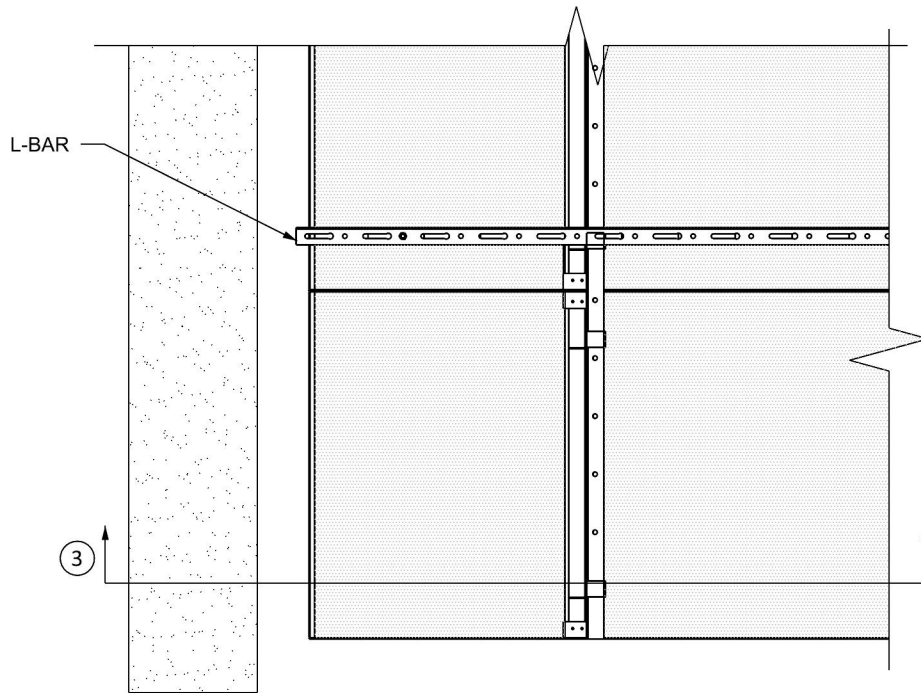
Typical Region

REVISION DATE : 4/21/2026

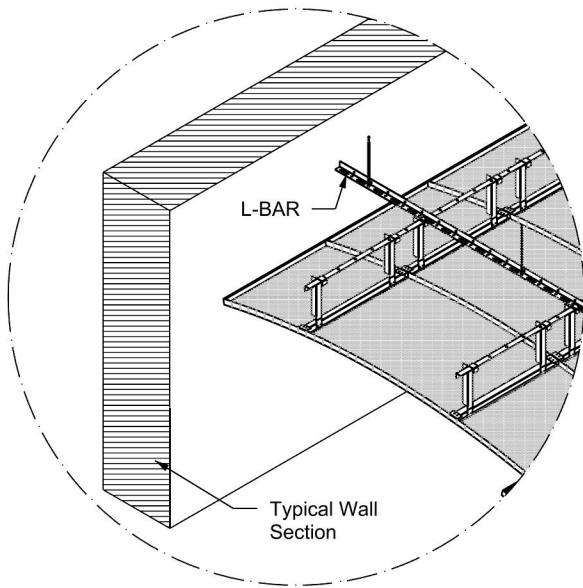
SHEET NUMBER
3 OF 9

DRAWN BY: AM

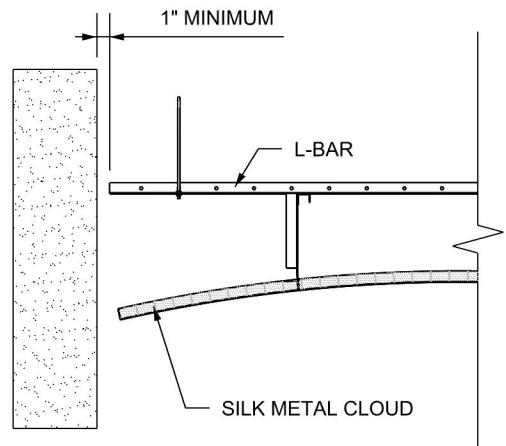
DO NOT SCALE DRAWING. FIGURED DIMENSIONS ARE TO BE FOLLOWED. READ THIS DRAWING IN CONNECTION WITH GENERAL ARCHITECTURAL PLANS, STRUCTURAL PLANS, AND OTHER RELATED DRAWINGS. THESE DRAWINGS REPRESENT ASI'S UNDERSTANDING AND INTERPRETATION OF THE ARCHITECTURAL DRAWINGS AND HOW ASI PRODUCTS RELATE TO THE PROJECT. COPYRIGHT ASI © 2023



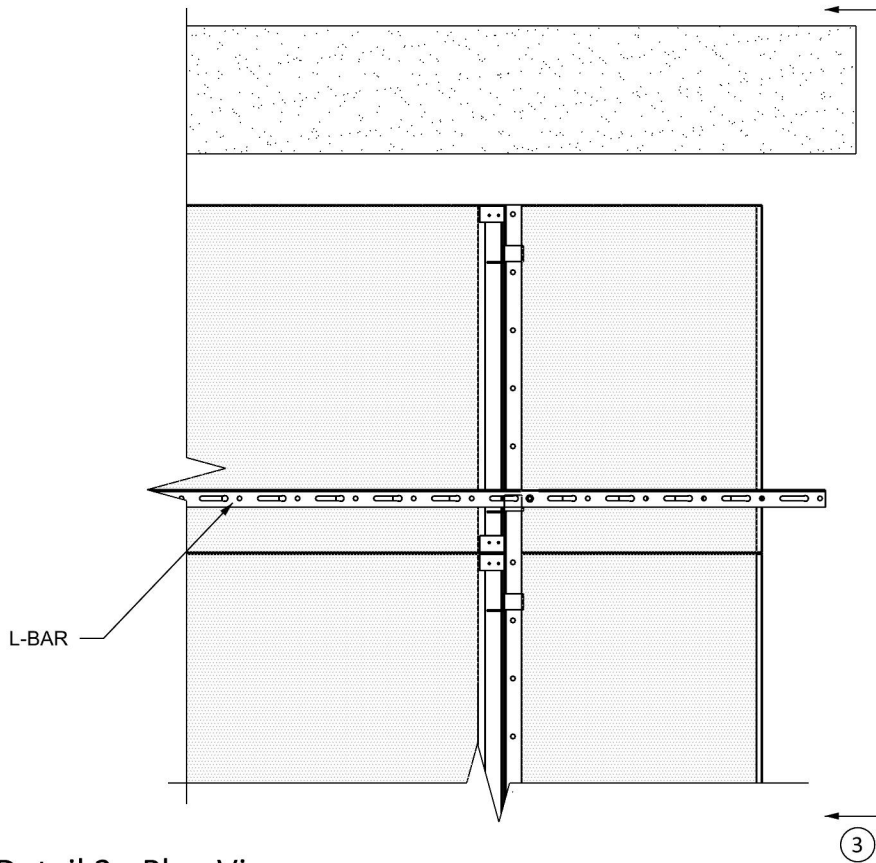
1 Trim Detail 1 - Plan View



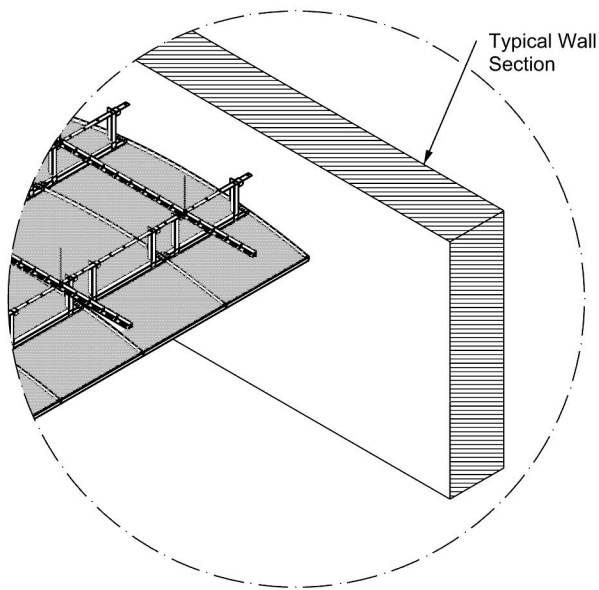
2 Trim Detail - Isometric



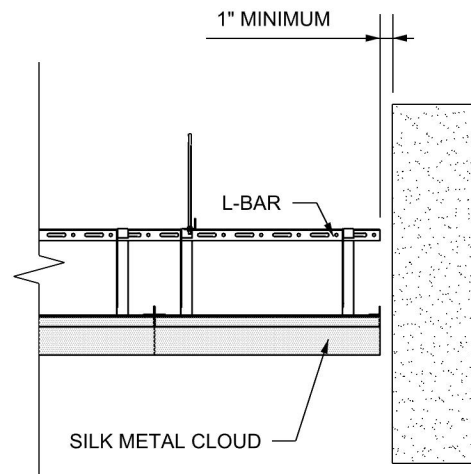
3 Trim Detail 1 - Section



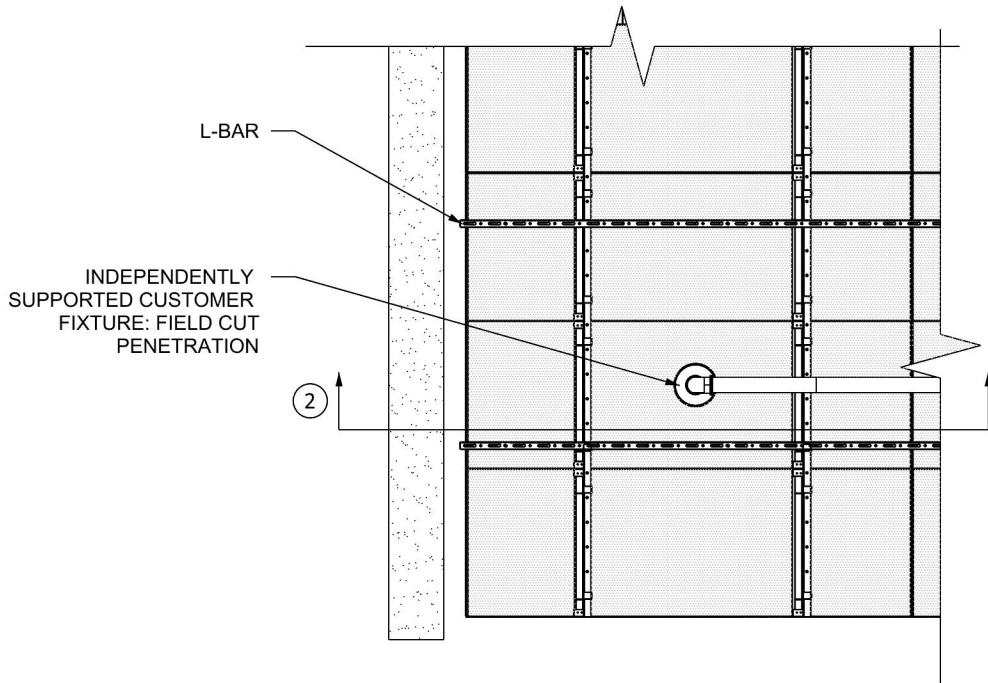
1 Trim Detail 2 - Plan View



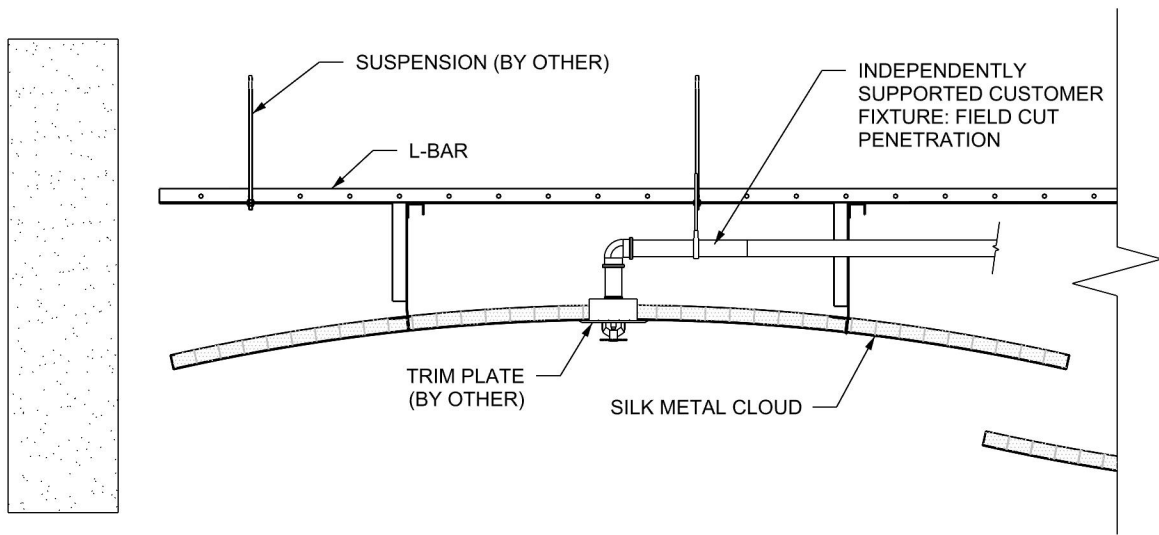
2 Trim Detail 2 - Isometric



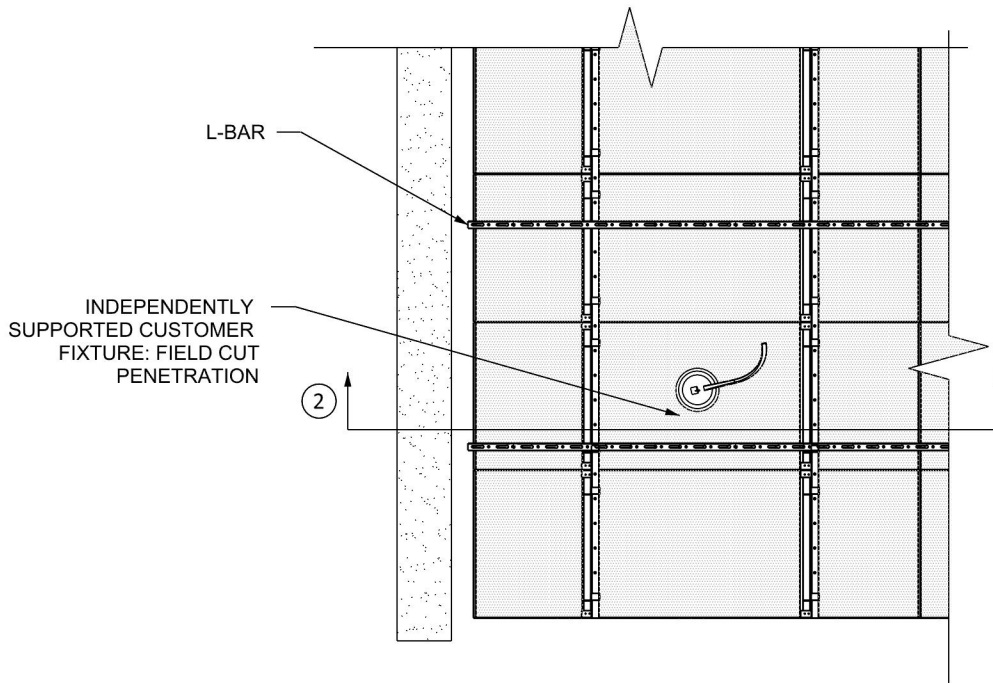
3 Trim Detail 2 - Section



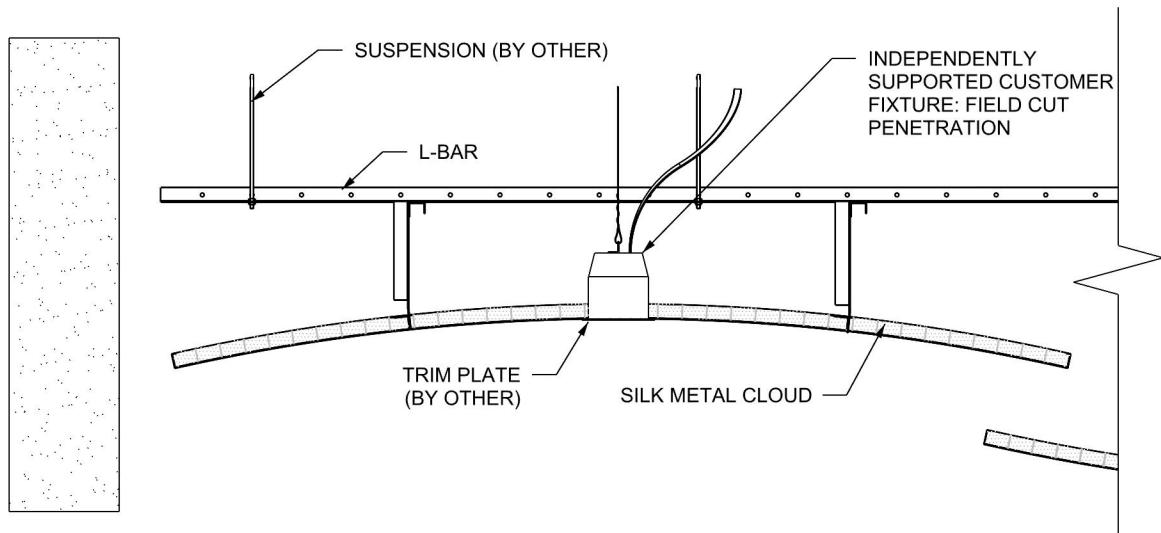
1 Sprinkler Detail - Plan View



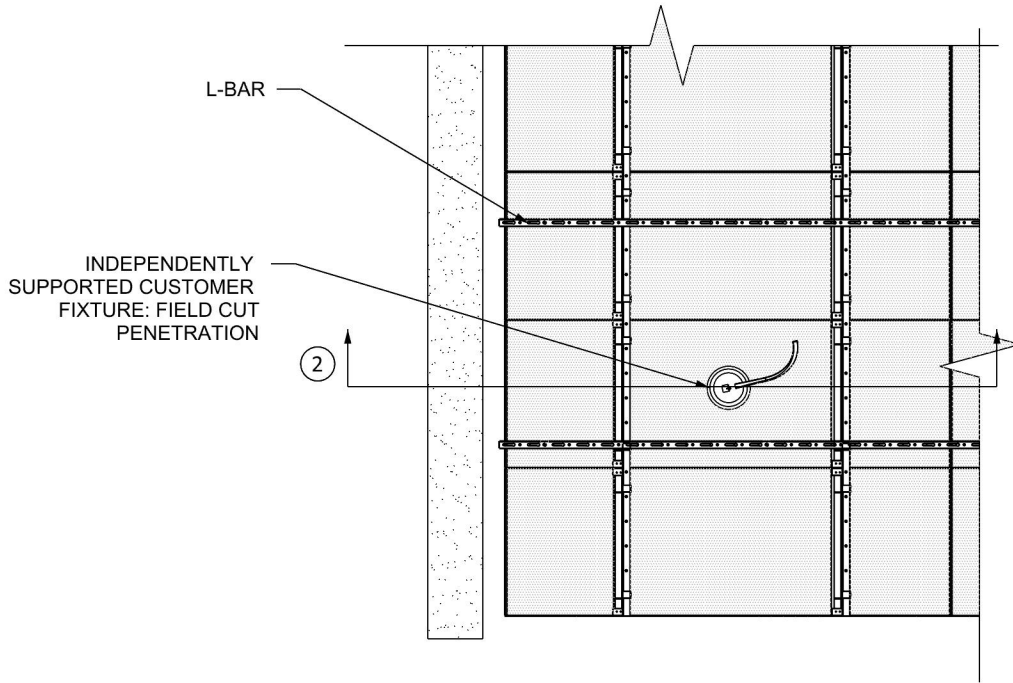
2 Sprinkler Detail - Section View



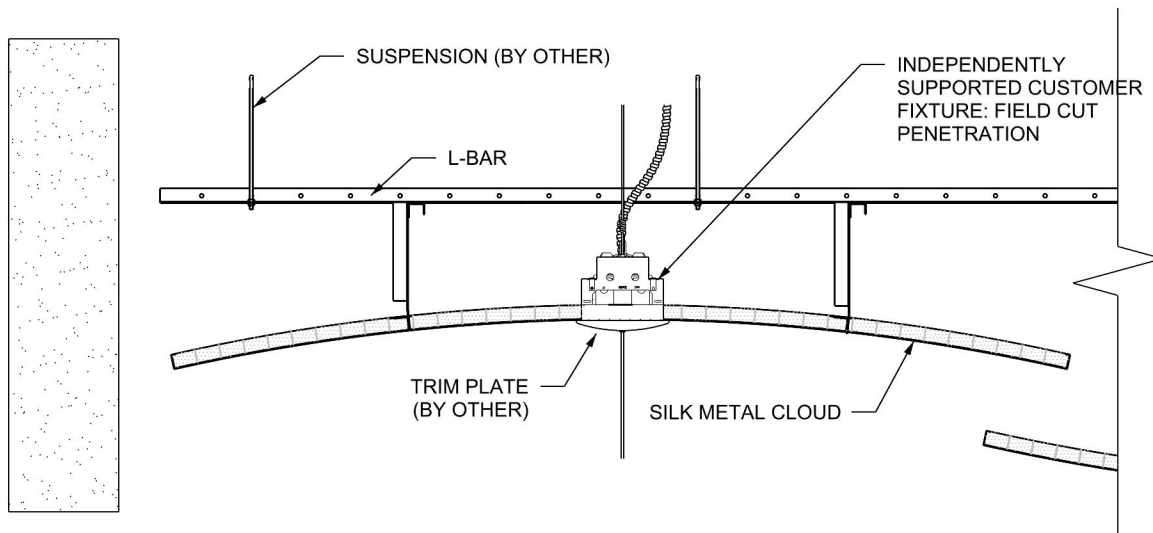
1 Recessed Light Detail - Plan View



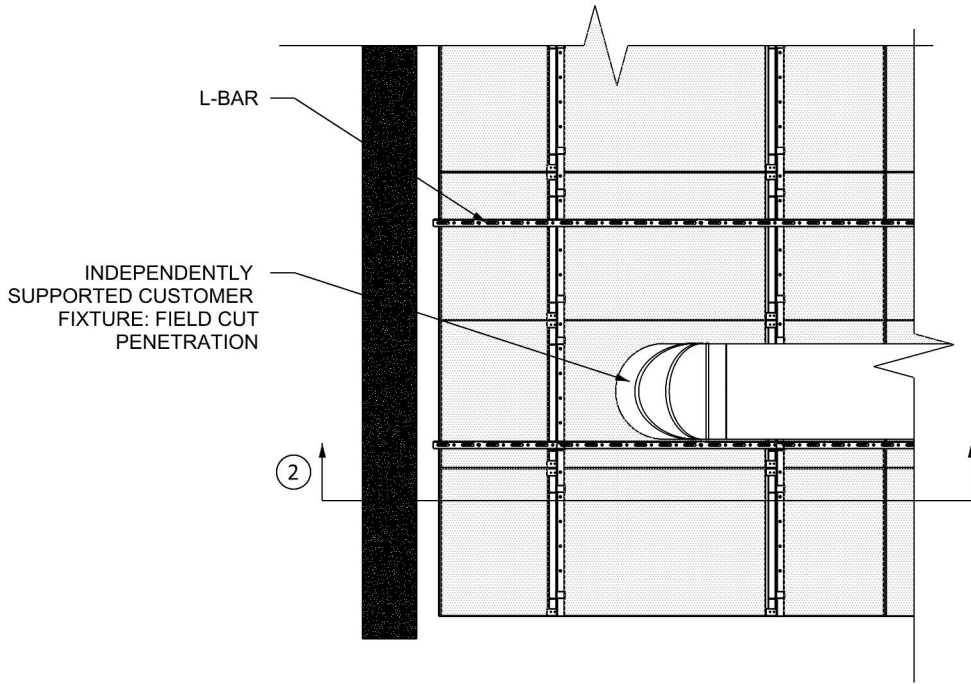
2 Recessed Light Detail - Section View



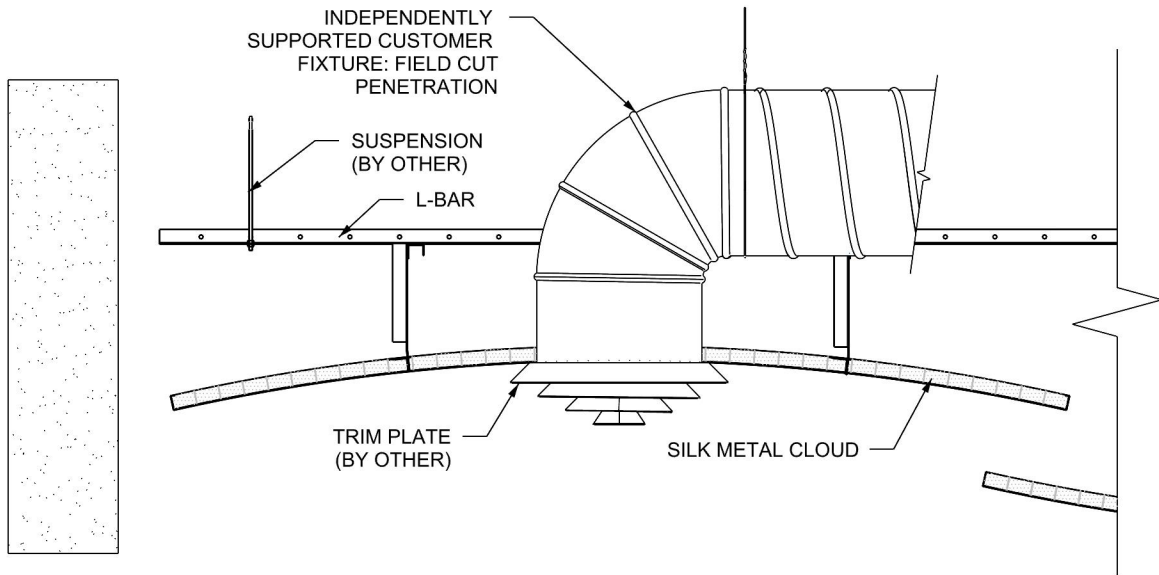
1 Pendant Light Detail - Plan View



2 Pendant Light Detail - Section View



1 HVAC Detail - Plan View



2 HVAC Detail - Section View