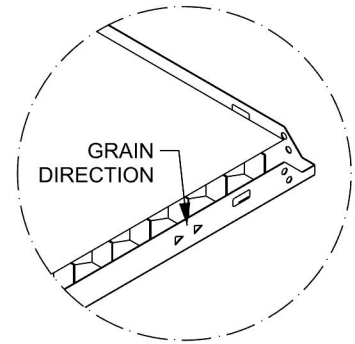
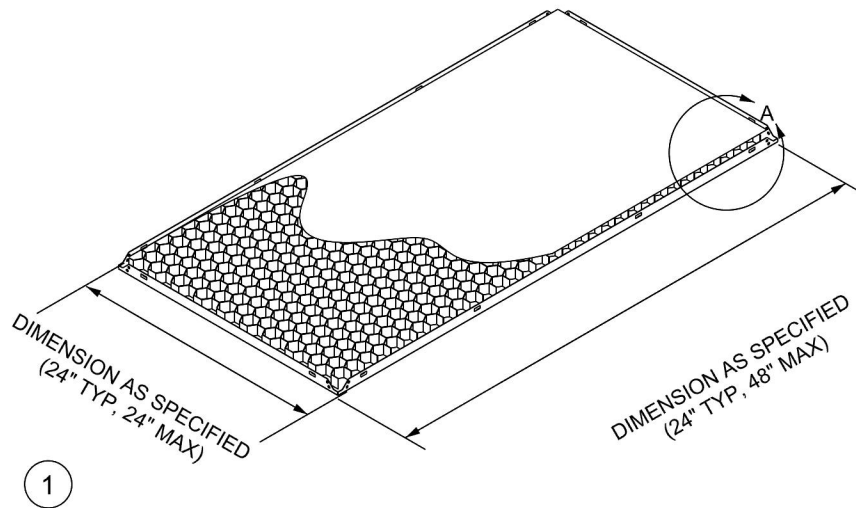
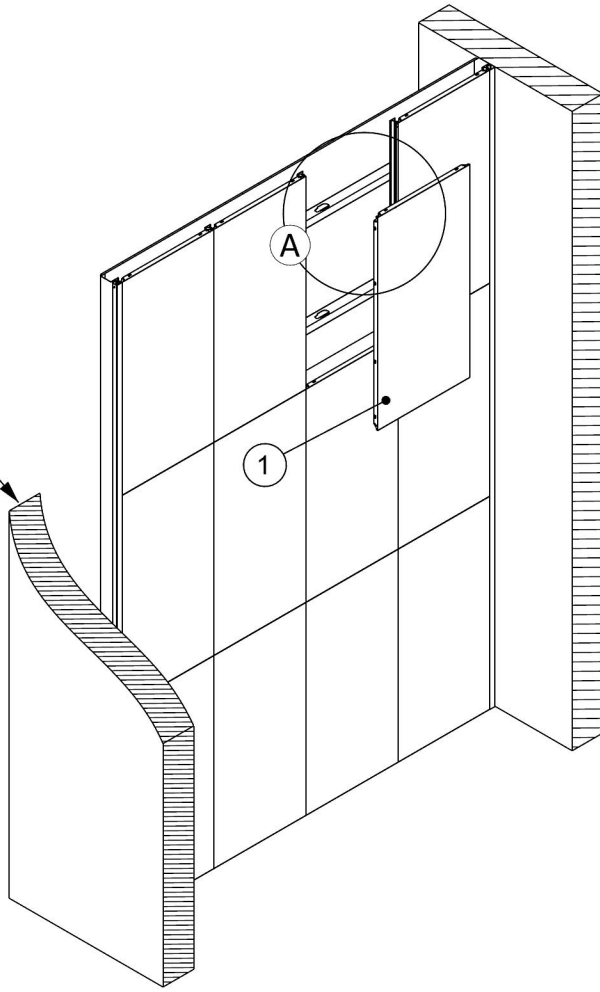
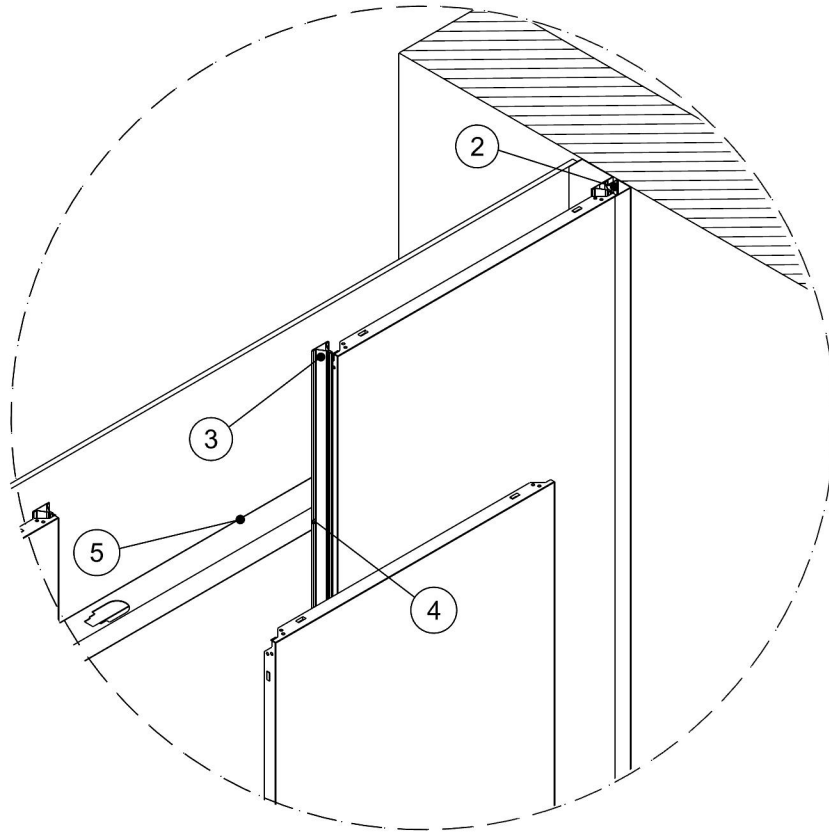


Typical Wall Section

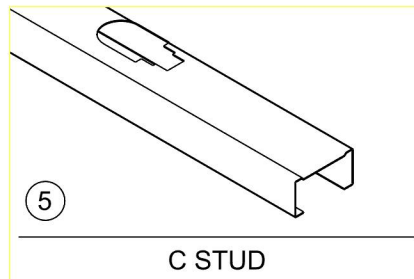
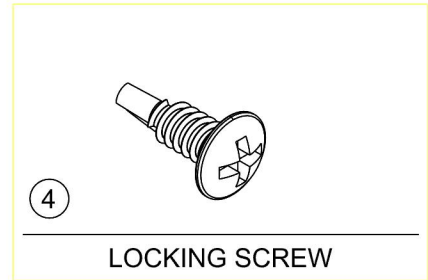
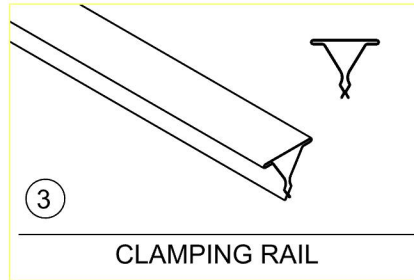
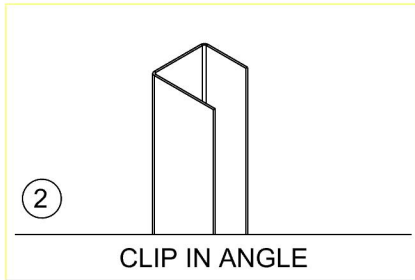


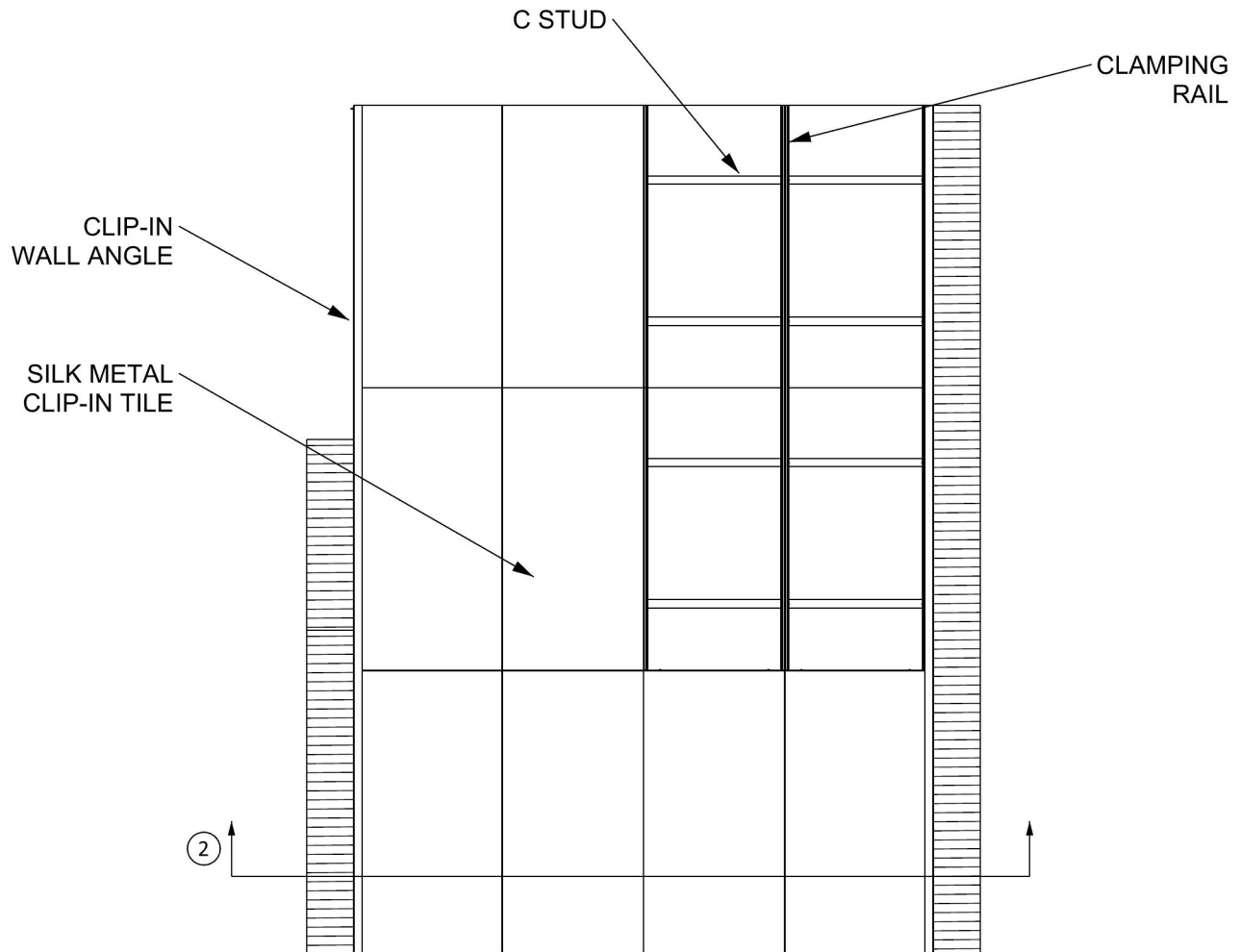
DETAIL A

CLIP IN TILE

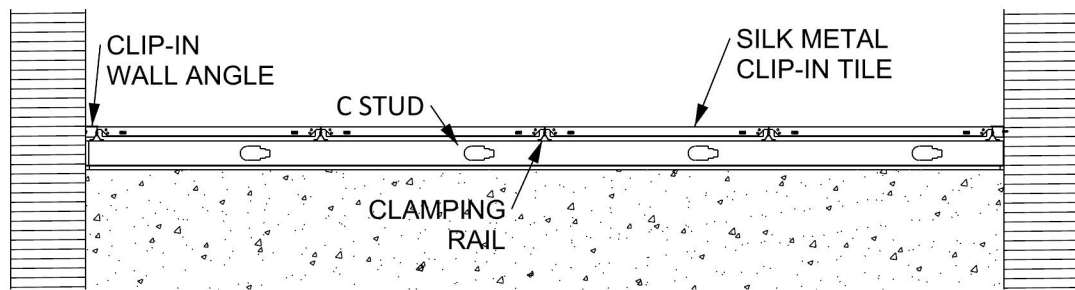


A Hardware





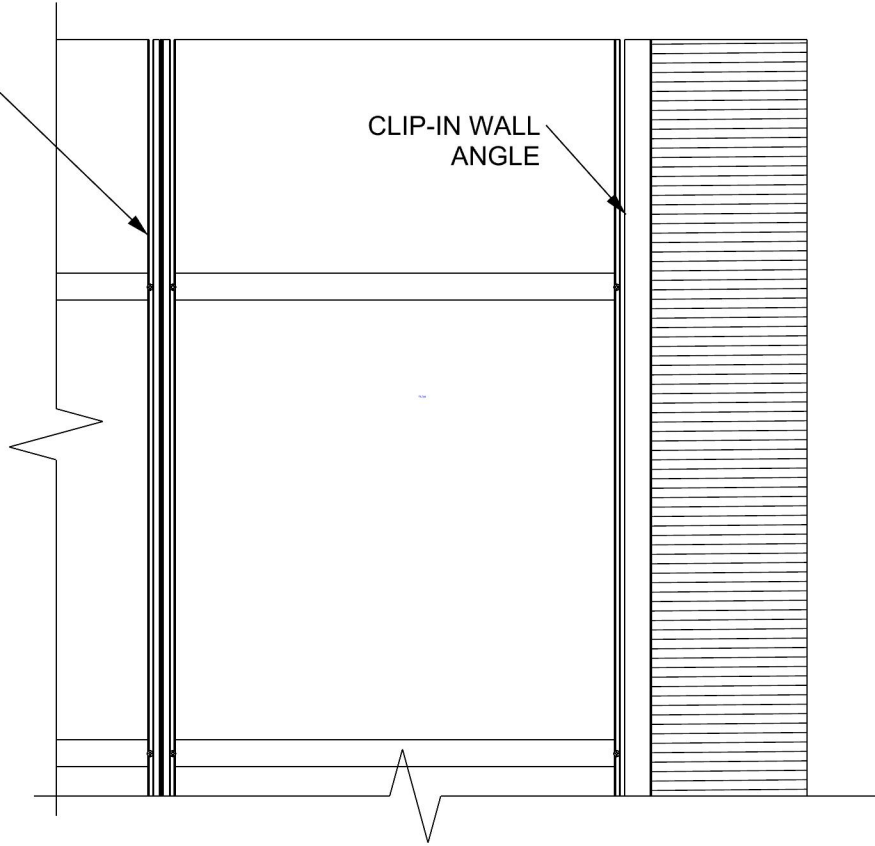
1 Typical Region - Plan View



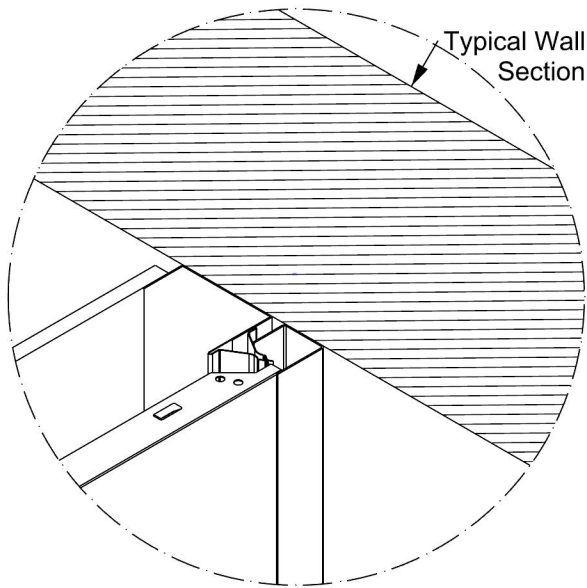
2 Typical Region - Section View

CLAMPING RAIL

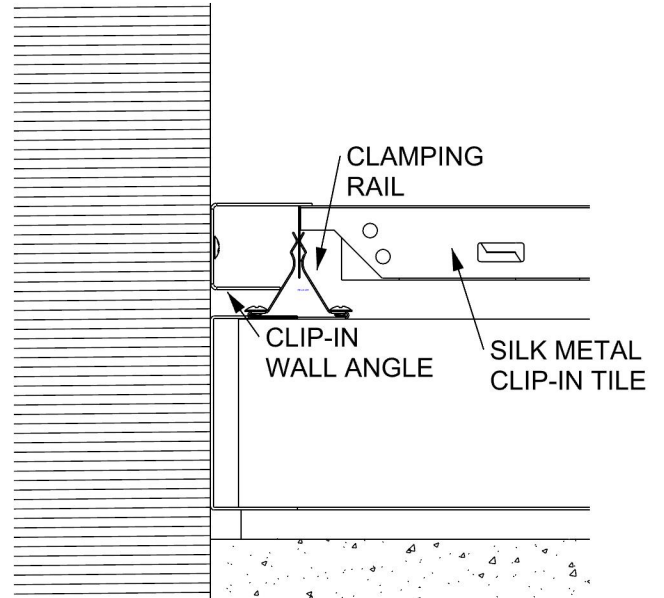
CLIP-IN WALL ANGLE



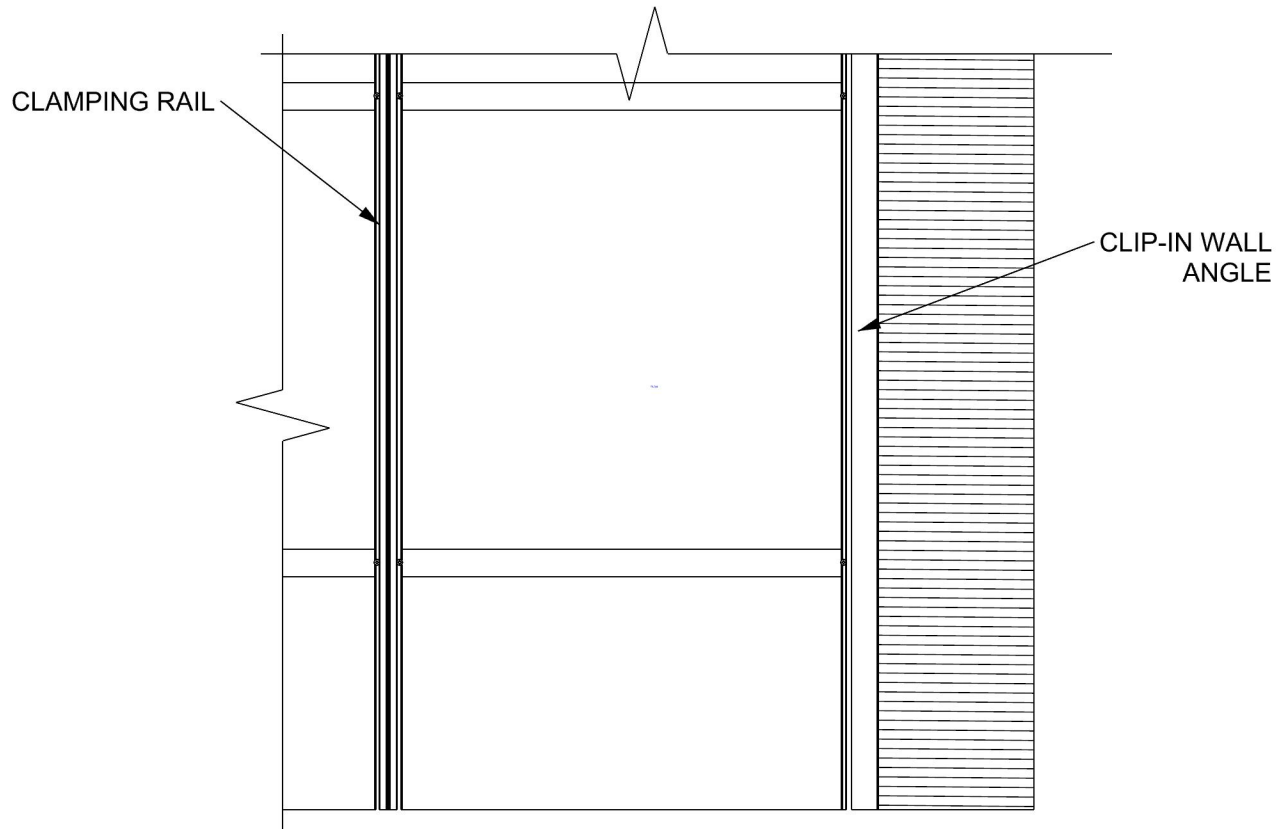
1 Trim Detail 1 - Plan View



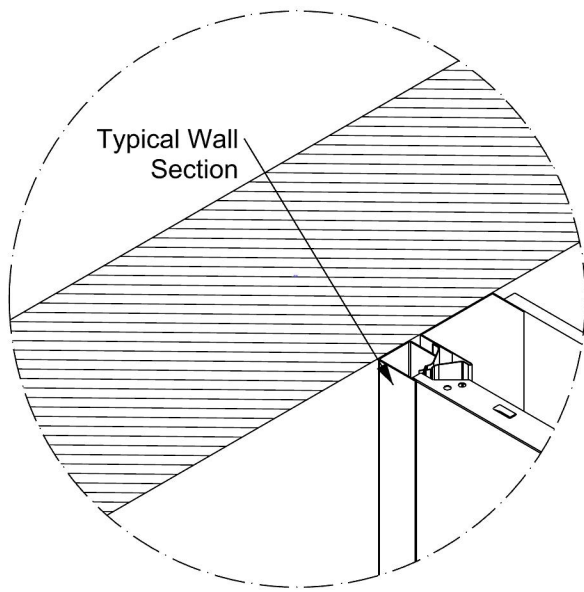
2 Trim Detail - Isometric



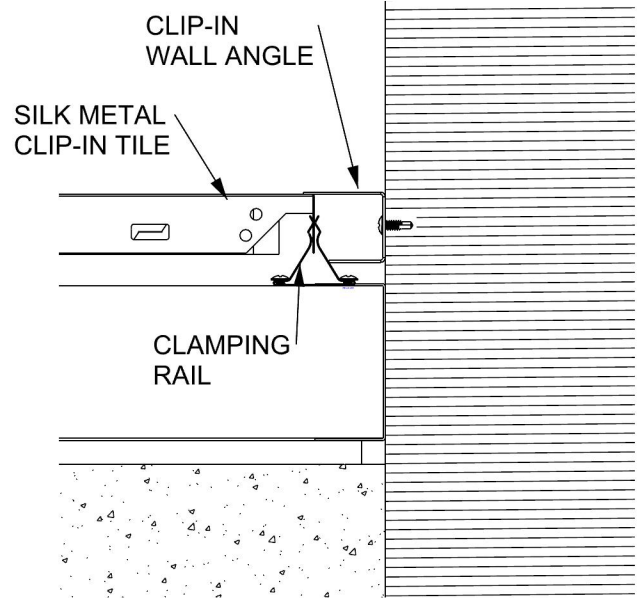
3 Trim Detail 1 - Section



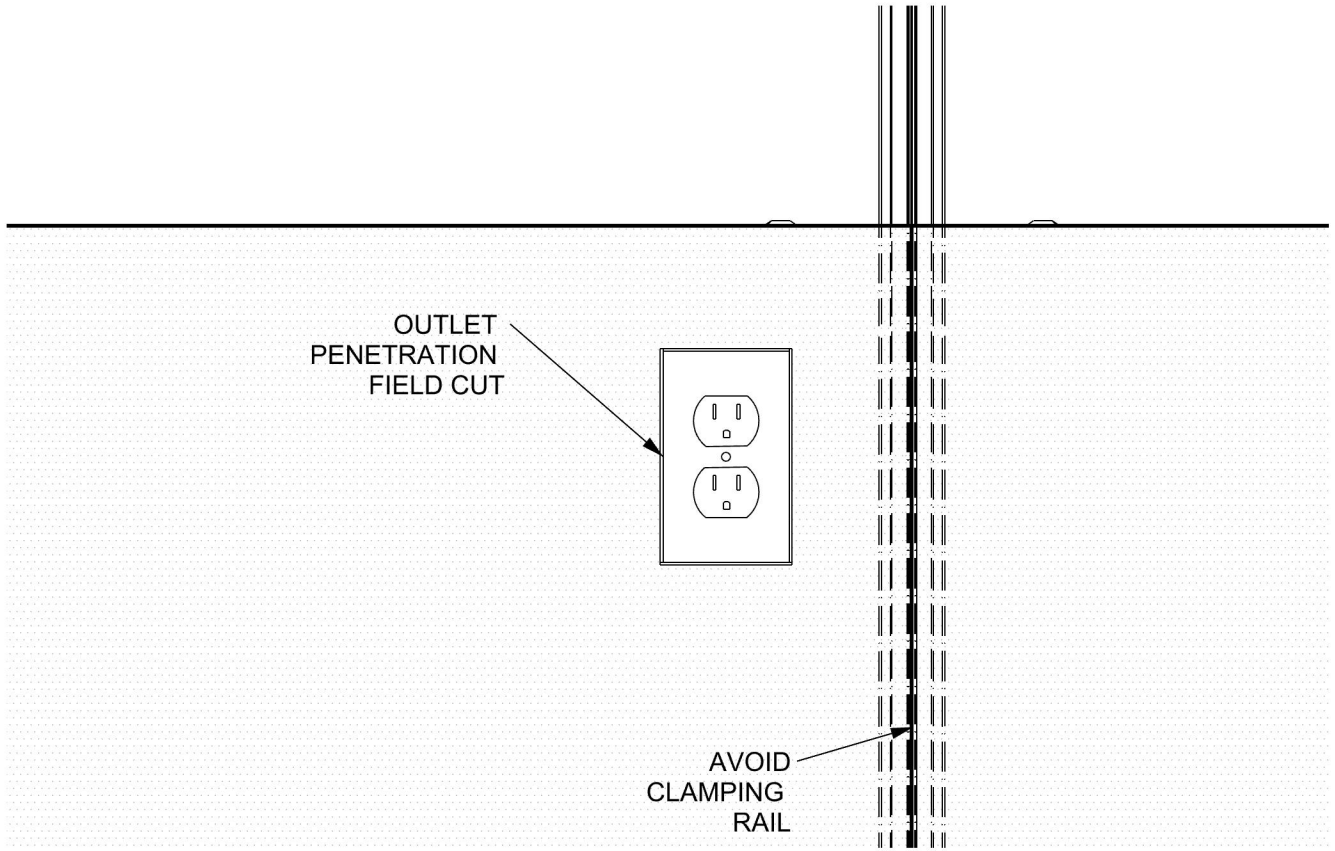
1 Trim Detail 2 - Plan View



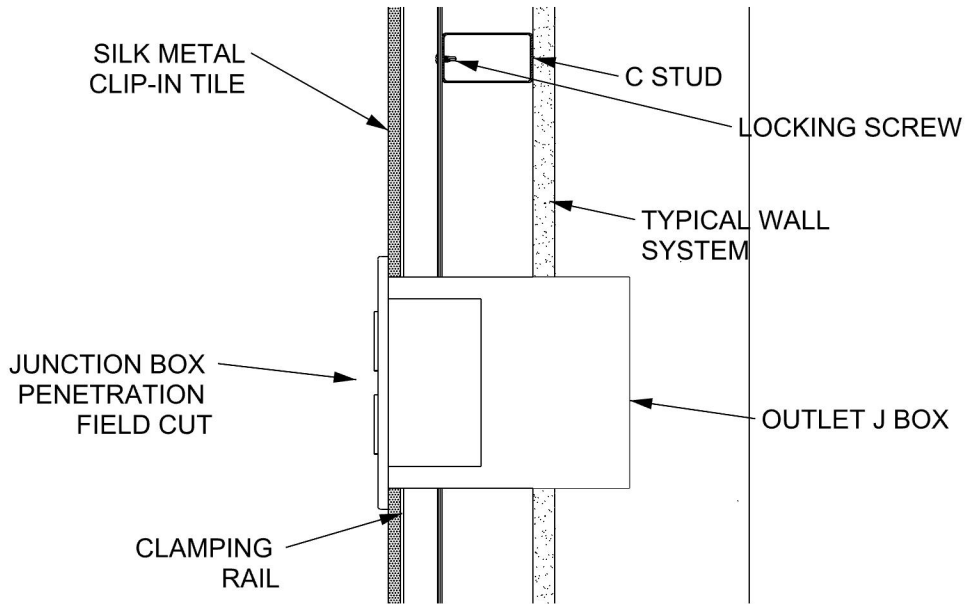
2 Trim Detail 2 - Isometric



3 Trim Detail 2 - Section



1 Outlet - Plan View



2 Outlet - Section View