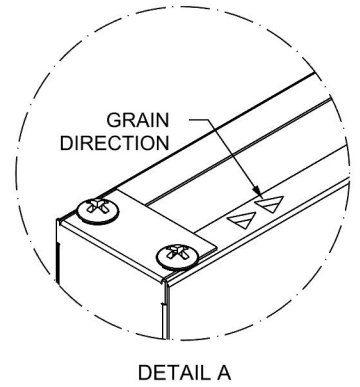
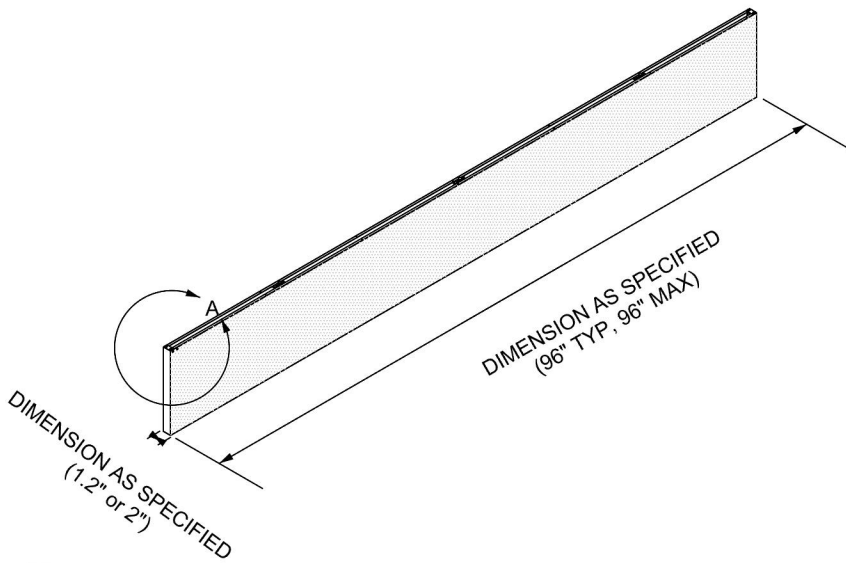
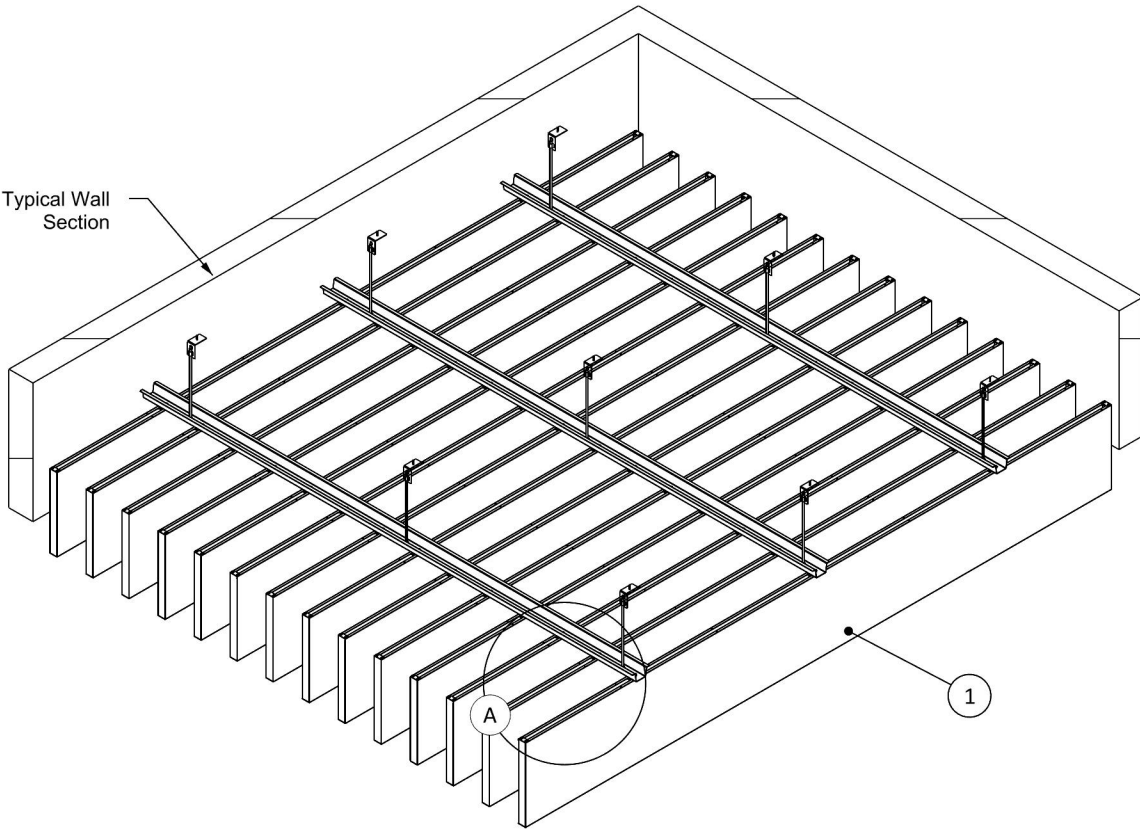
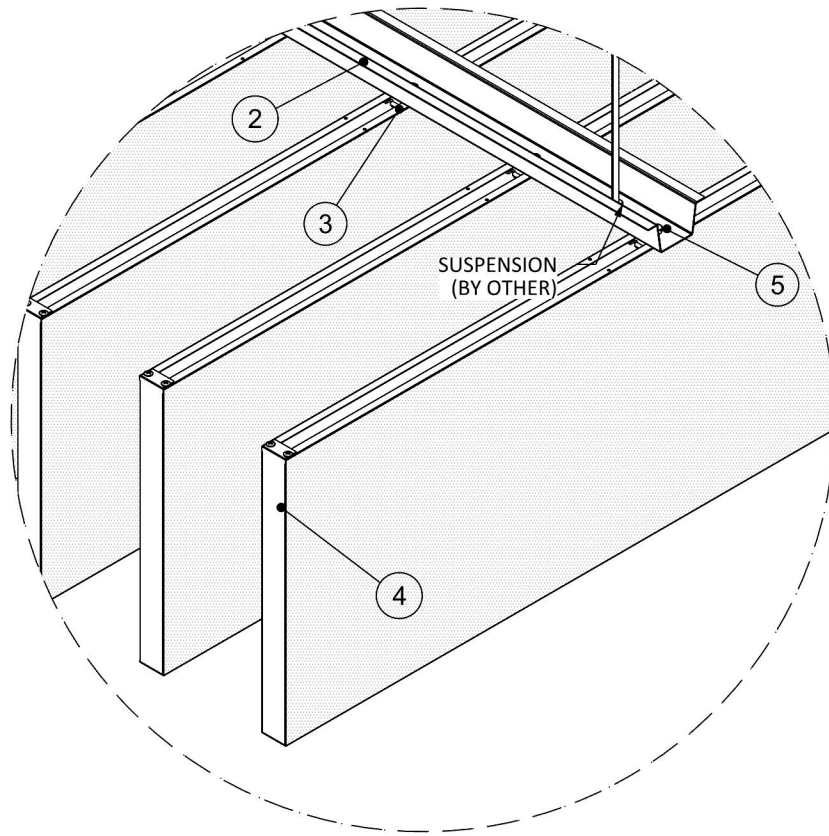


Typical Wall Section

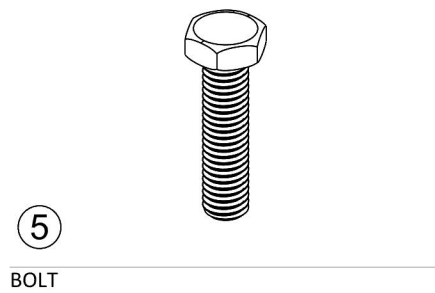
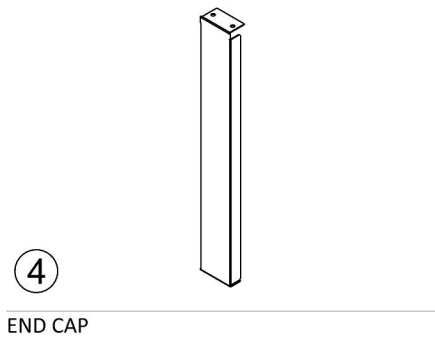
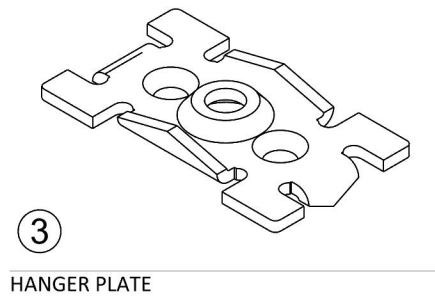
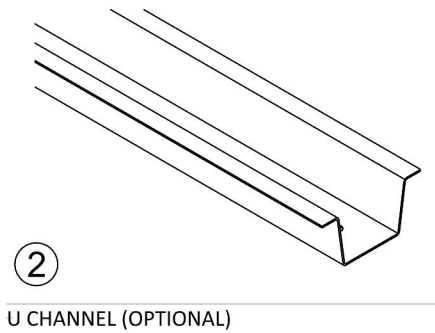


1

CLIP IN TILE



A Hardware



U-CHANNEL

SILK METAL
BAFFLE

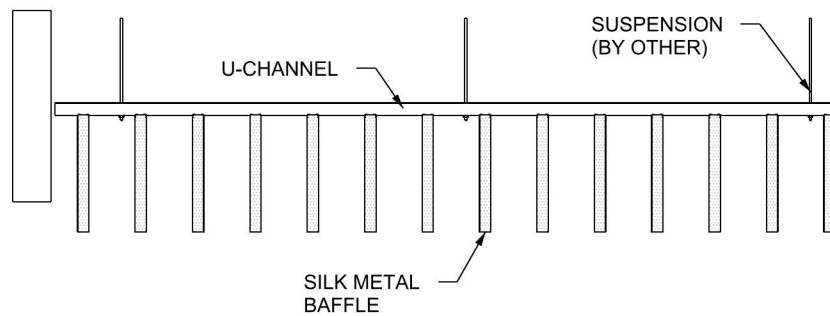
SUSPENSION
(BY OTHER)

②

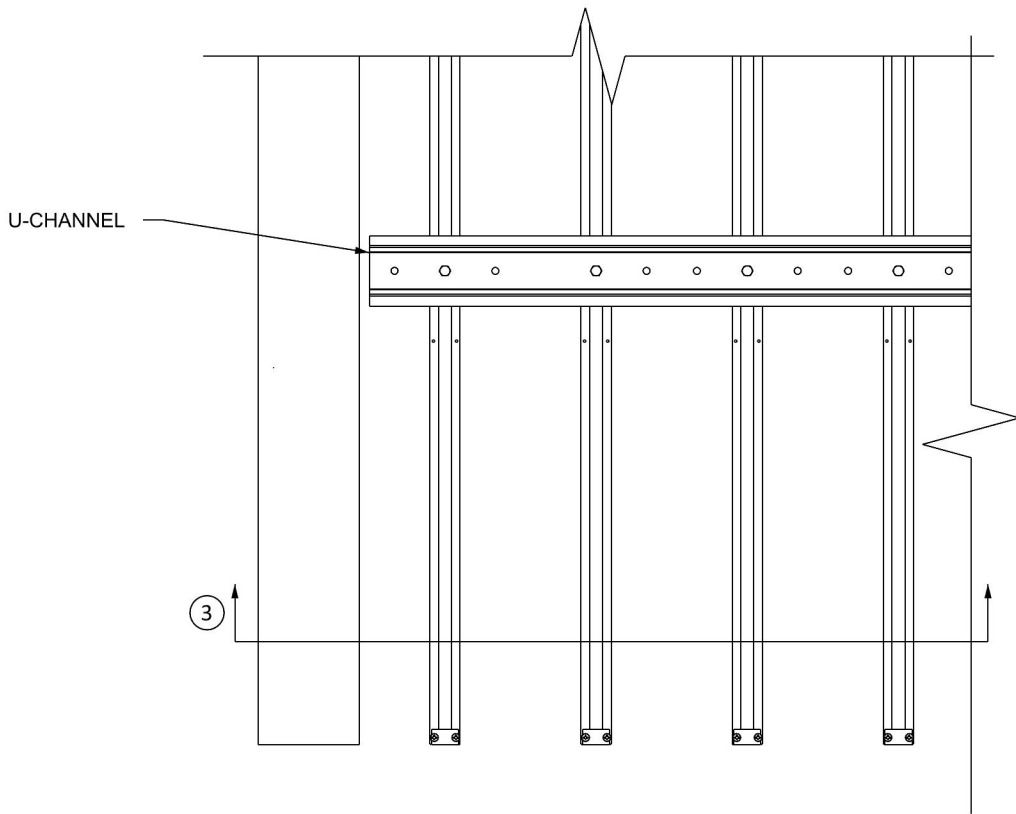
12" to 96" (TYP)

1.2", 2" (TYP)

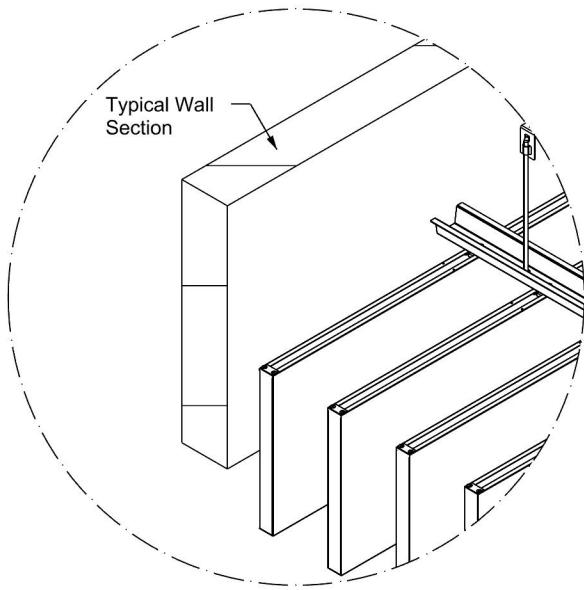
① Typical Region - Plan View



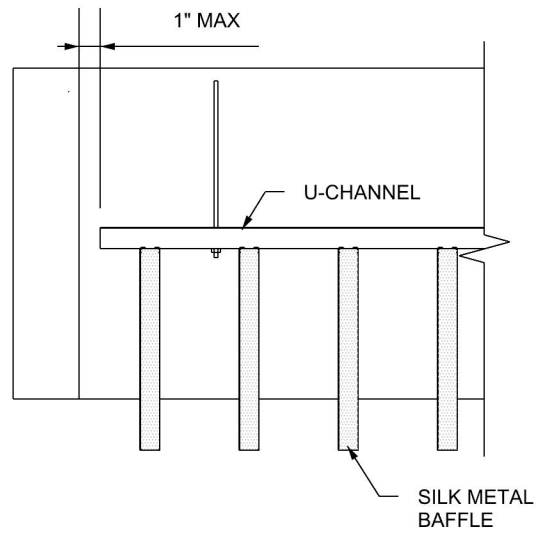
② Typical Region - Section View



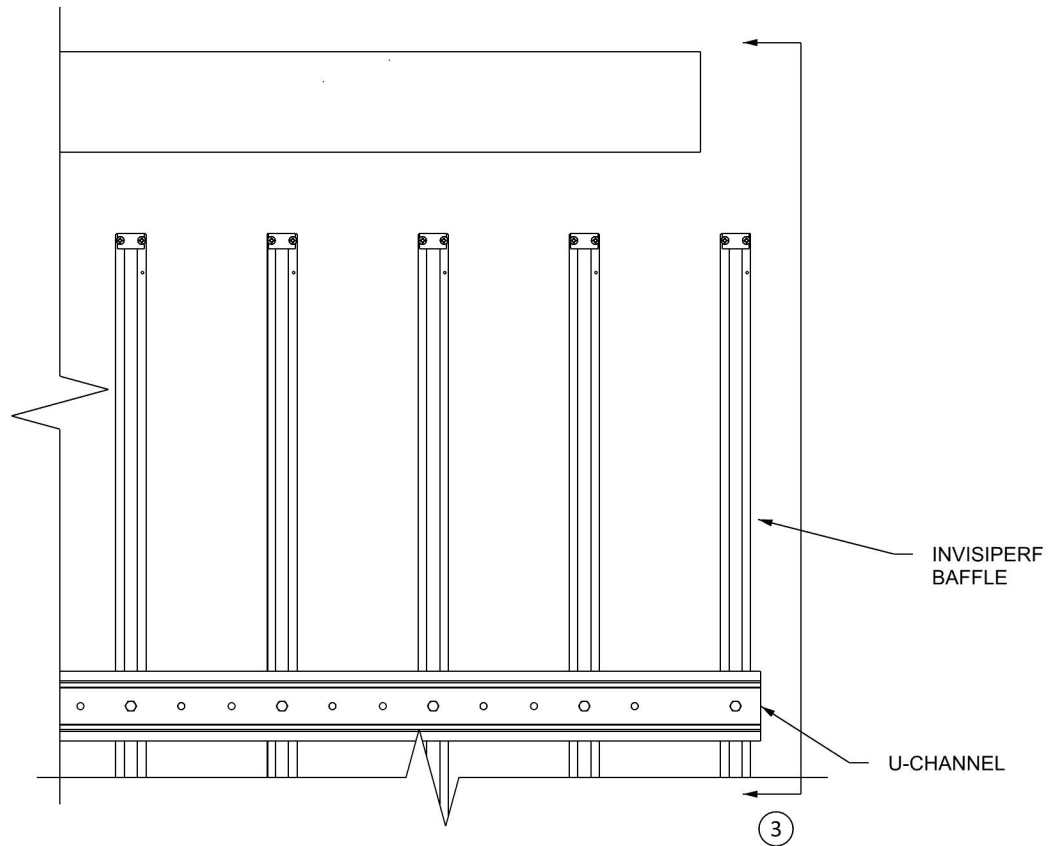
1 Trim Detail 1 - Plan View



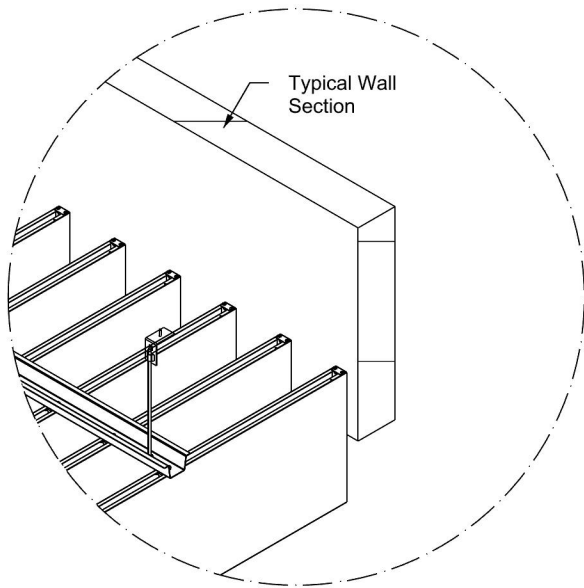
2 Trim Detail - Isometric



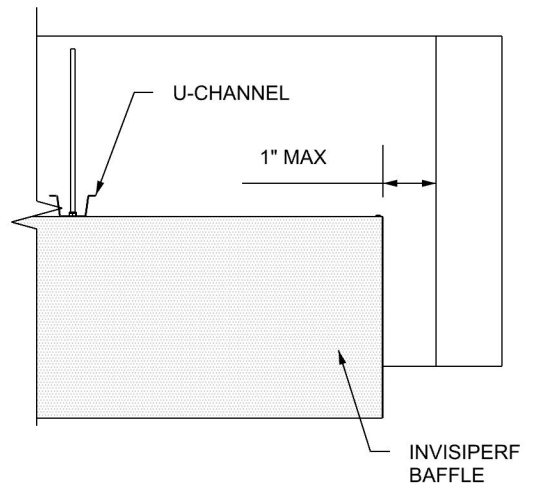
3 Trim Detail 1 - Section



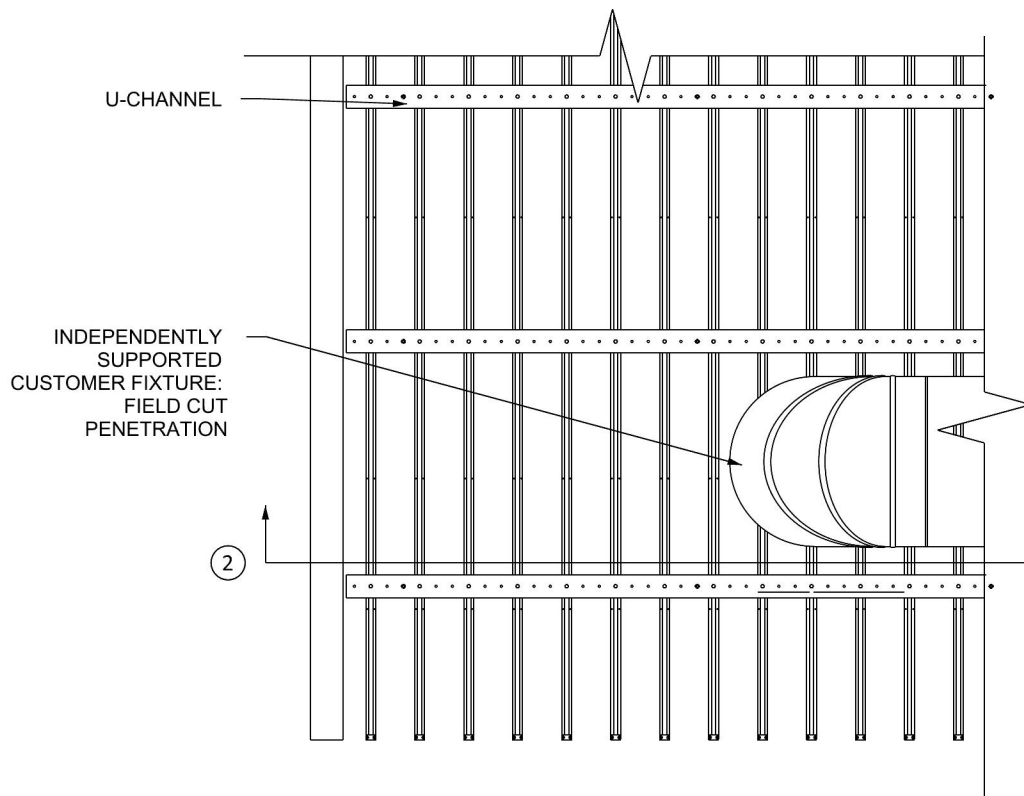
1 Trim Detail 2 - Plan View



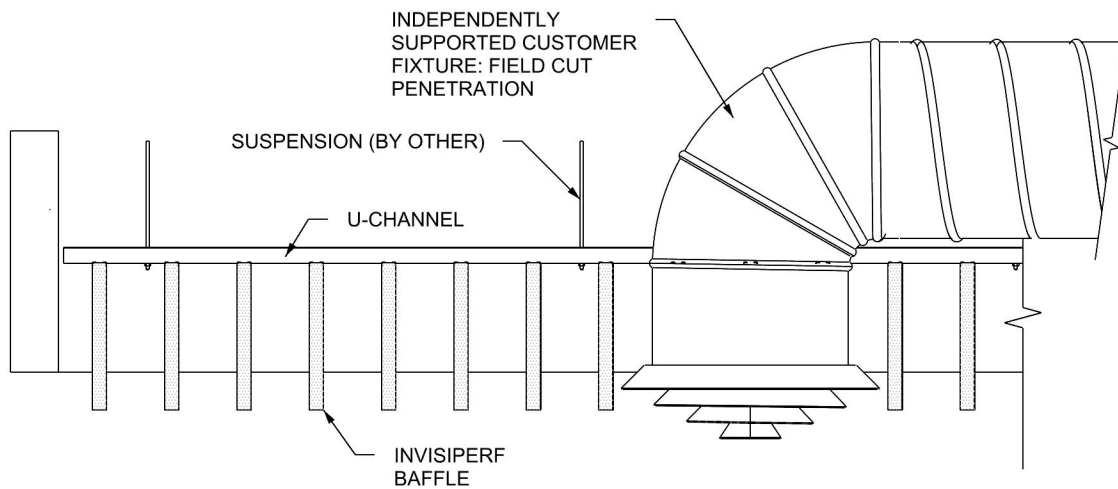
2 Trim Detail 2 - Isometric



3 Trim Detail 2 - Section



1 HVAC Detail - Plan View



2 HVAC Detail - Section View