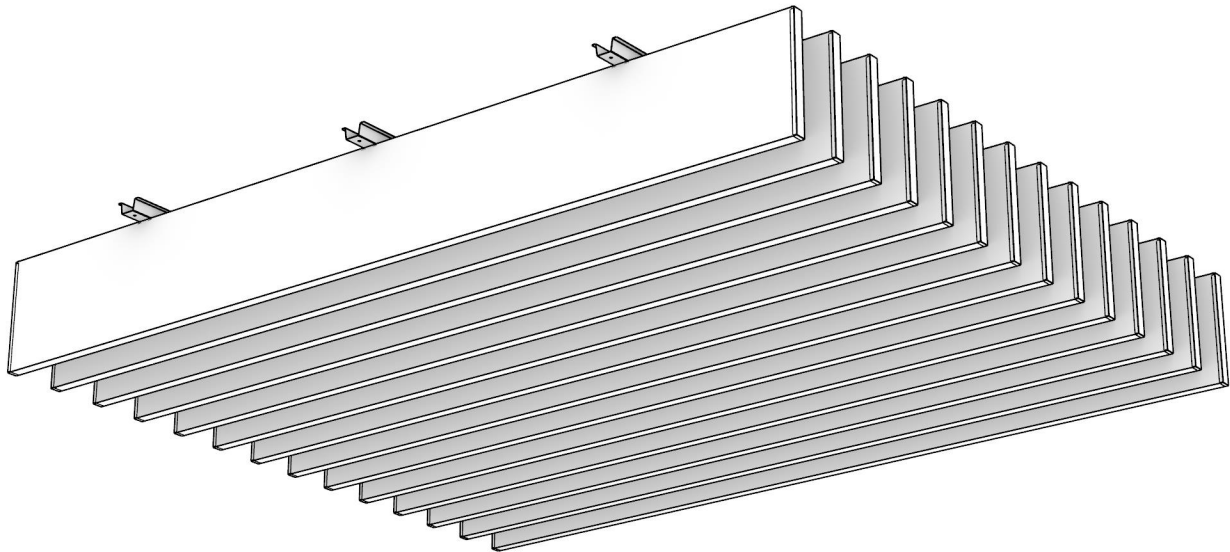




MATERIAL LOGIQ



INSTALLATION INSTRUCTIONS: **BAFFLE**

INSTALLATION METHOD: **1/4"-20 HANGER**

Overview // Parts and Hardware

ATTENTION: If you have additional questions after reviewal of this manual please contact your local MATERIAL LOGIQ representative or a MATERIAL LOGIQ professional at our headquarters (800)220-8412

MATERIAL LOGIQ MANUFACTURES PRODUCTS THAT MUST BE HANDLED WITH CARE. PRODUCTS SHOULD ONLY BE INSTALLED BY EXPERIENCED INSTALLERS.

RECEIVING

Prior to unpacking, check package for any obvious shipping damage. If no evidence of damage is present, move package to a dry/controlled area and inspect it for dents, breakage, or any lesser-noticable damage that may affect enclosed panels. If damage has been identified, record it/photograph it, and open to inspect for concealed damage. If damage was transferred to the product, document/photograph the issues.

SPECIAL HANDLING INSTRUCTIONS

When handling product, care must be taken to not damage the faces. Handle all edges with care. To avoid damage, do not twist or bow product during installation

PRIOR TO INSTALLATION

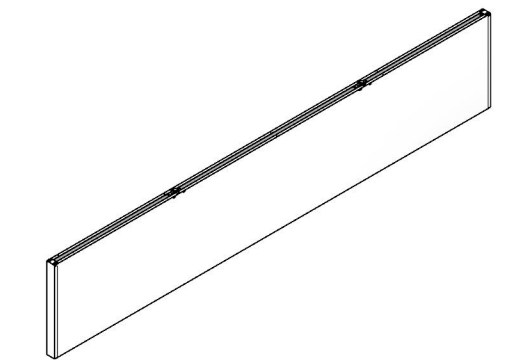
Assemble connection/hanging brackets

Determine assembly location on ceiling and mark hanging locations. Baffles can be attached to a frame or direct to ceiling. MATERIAL LOGIQ recommends measuring each hanger location and transferring measurements to ceiling in advance.

Assemble as illustrated and affix to ceiling, check for level.

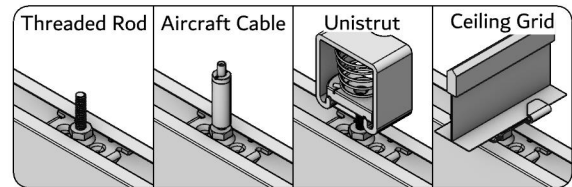
Continue installing additional units as illustrated, ensuring brackets are properly seated and baffles are level.

INCLUDED COMPONENTS:



①

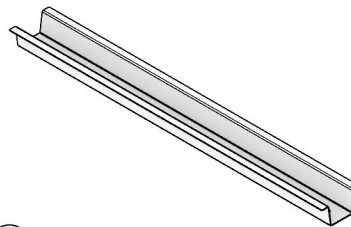
SILK METAL BAFFLE



②

HANGING HARDWARE

HARDWARE FOR OPTIONAL FRAME:



③

U-CHANNEL (OPTIONAL)



④

BOLT



123 COLUMBIA COURT NORTH, CHASKA, MINNESOTA 55318

Silk Metal Baffle - Installation Instructions

Overview // Parts and Hardware

REVISION DATE : 4/10/2026

DO NOT SCALE DRAWING. FIGURED DIMENSIONS ARE TO BE FOLLOWED. READ THIS DRAWING IN CONNECTION WITH GENERAL ARCHITECTURAL PLANS, STRUCTURAL PLANS, AND OTHER RELATED DRAWINGS. THESE DRAWINGS REPRESENT ASI'S UNDERSTANDING AND INTERPRETATION OF THE ARCHITECTURAL DRAWINGS AND HOW ASI PRODUCTS RELATE TO THE PROJECT. COPYRIGHT ASI © 2023

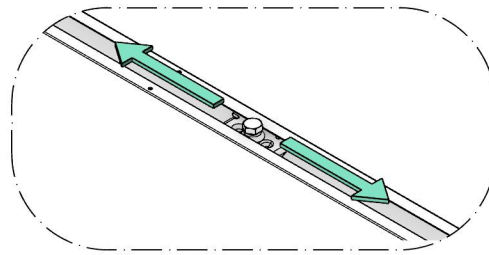
SHEET NUMBER

2 OF 5

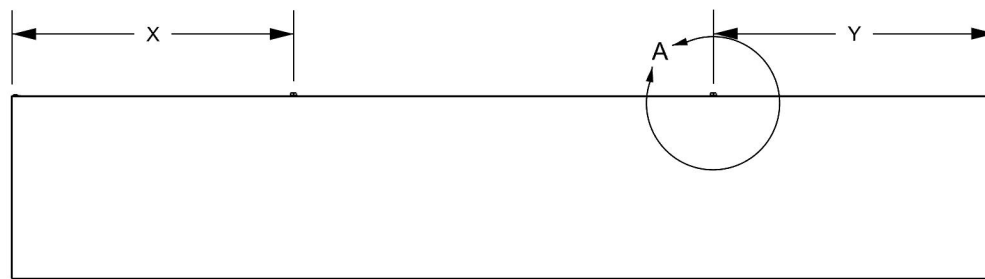
DRAWN BY: GB

Installation - Independently Hung

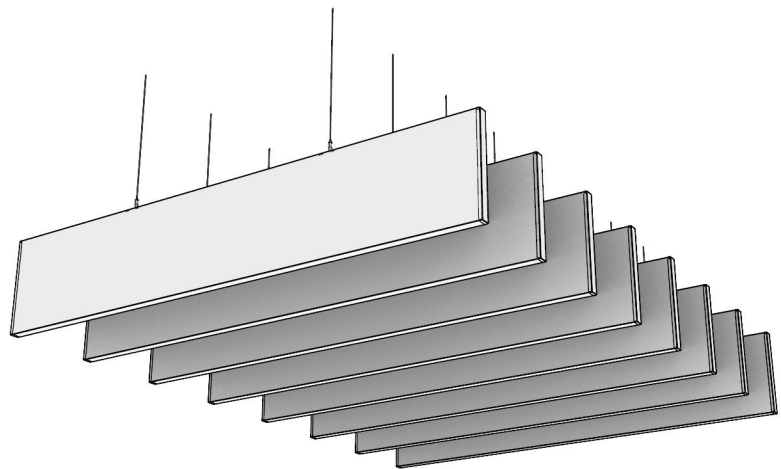
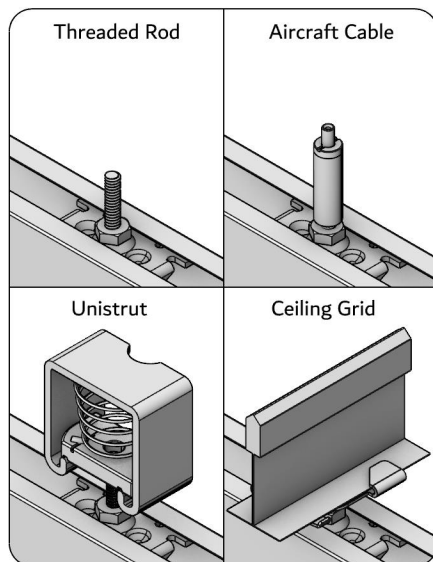
- 1 Determine pick location for each baffle by sliding the hanger plate.



DETAIL A

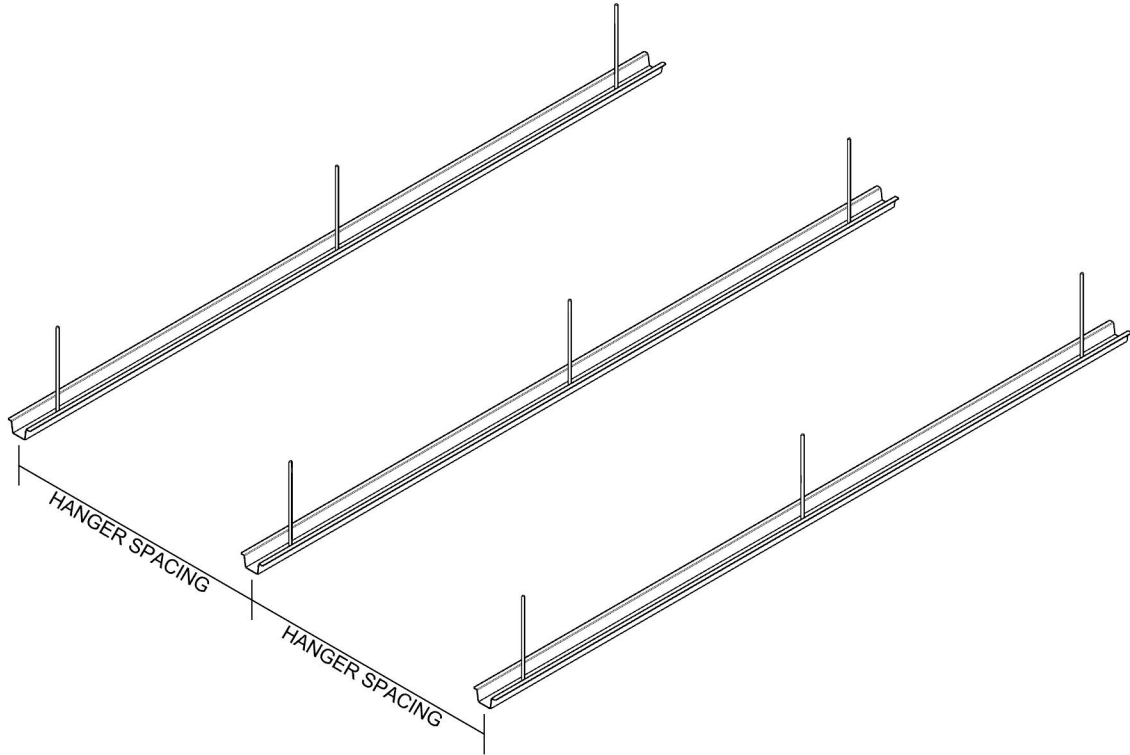


- 2 Attach hanging hardware and install according to specified layout. Installation is complete.

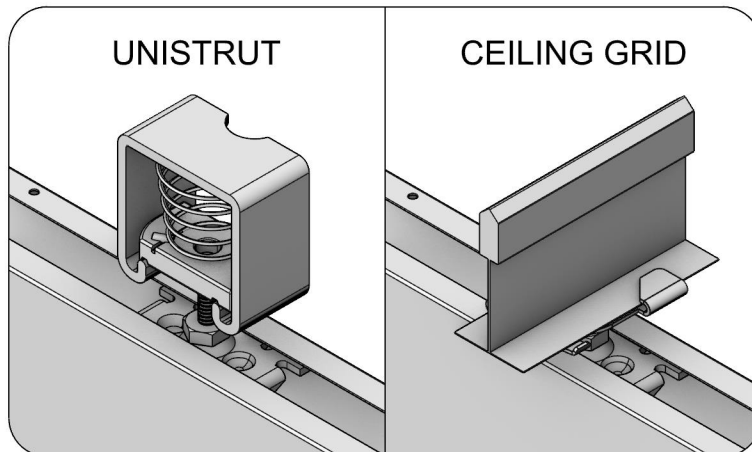


Installation - Baffle with Frame

1 Hang U-Channel at the desired spacing

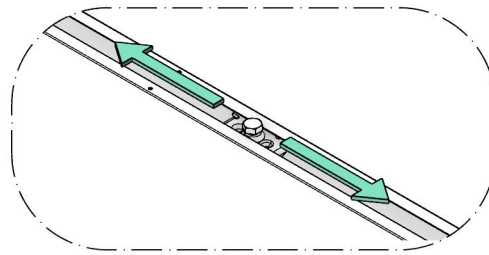


NOTE: Other framing systems can be used with Silk Metal Baffle. Check with your sales representative to see if yours is supported. Common options are shown below.

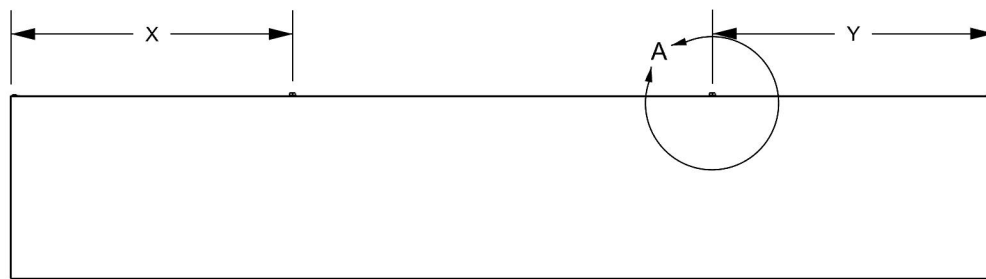


Installation - Baffle with Frame

- 1 Determine pick location for each baffle by sliding the hanger plate.



DETAIL A



- 2 Attach Baffle to U-Channel, spaced according to specified layout. Repeat until all baffles are installed. Installation is complete.

