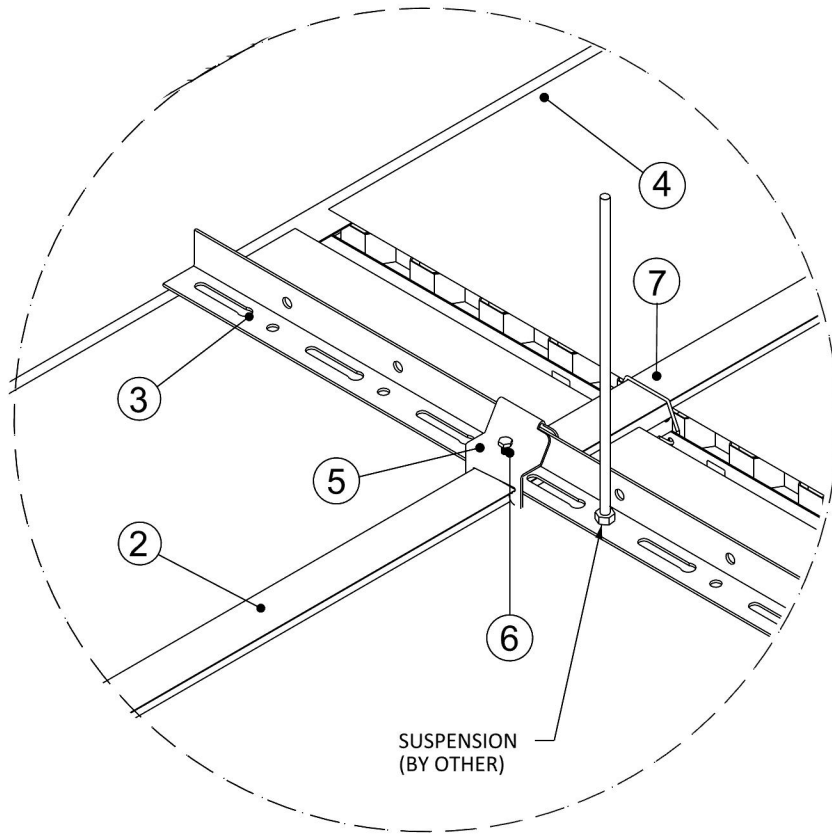
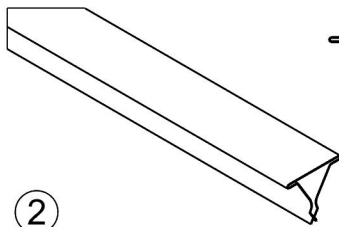


1

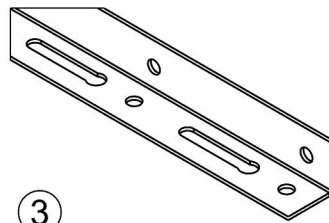
CLIP IN TILE



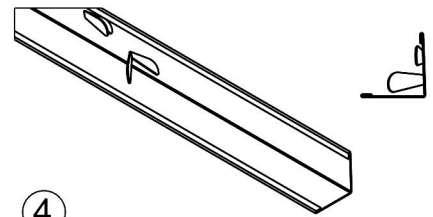
A Hardware



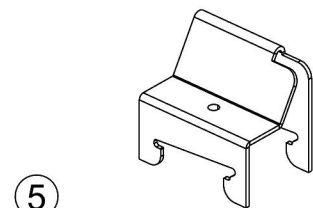
2
CLAMPING RAIL



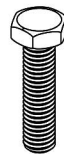
3
L - BAR



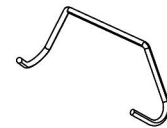
4
CLIP IN WALL ANGLE



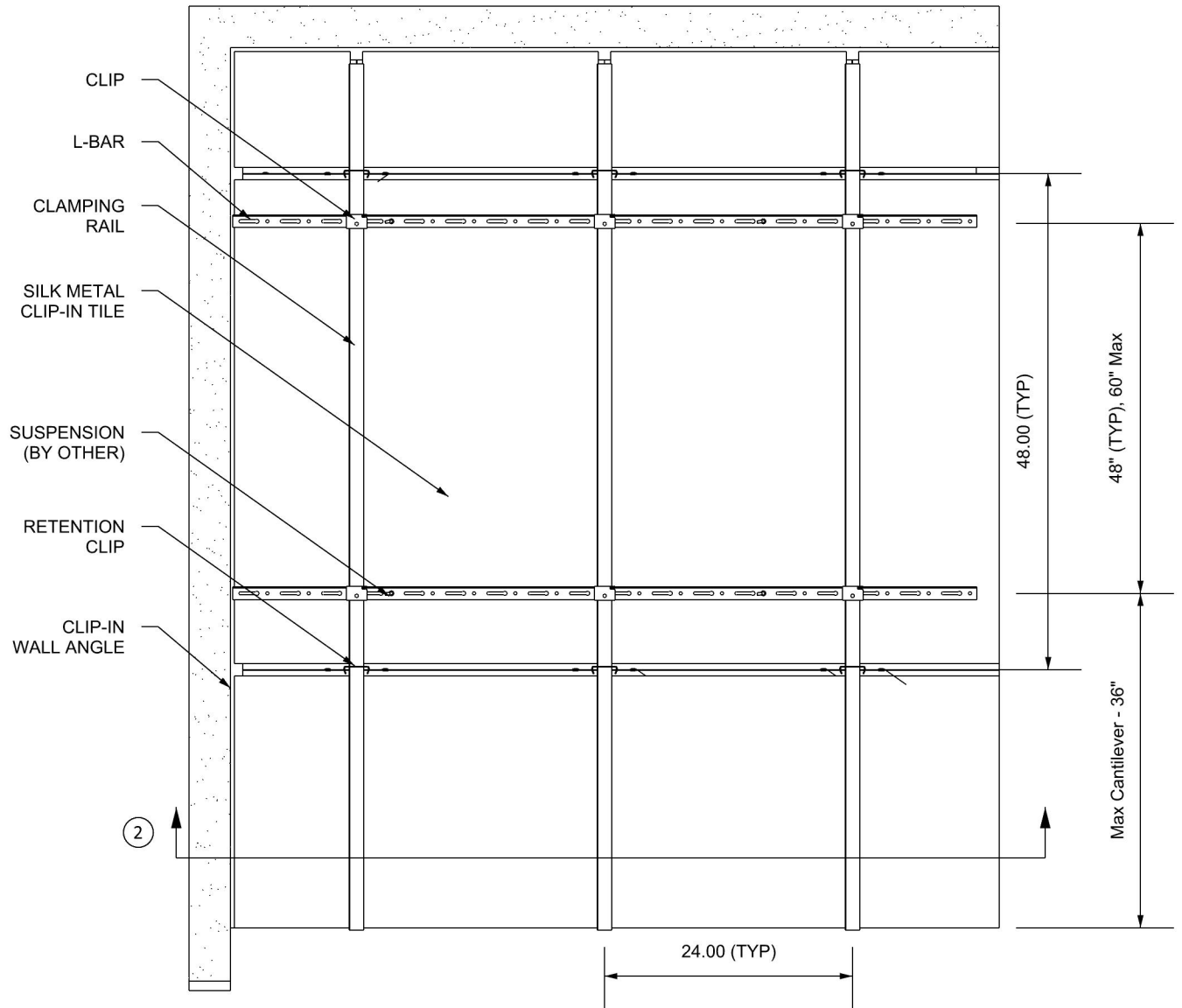
5
CLIP



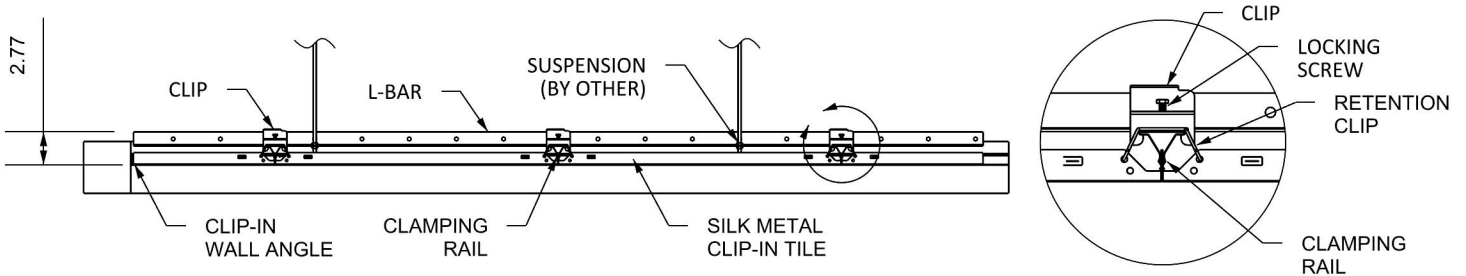
6
LOCKING SCREW



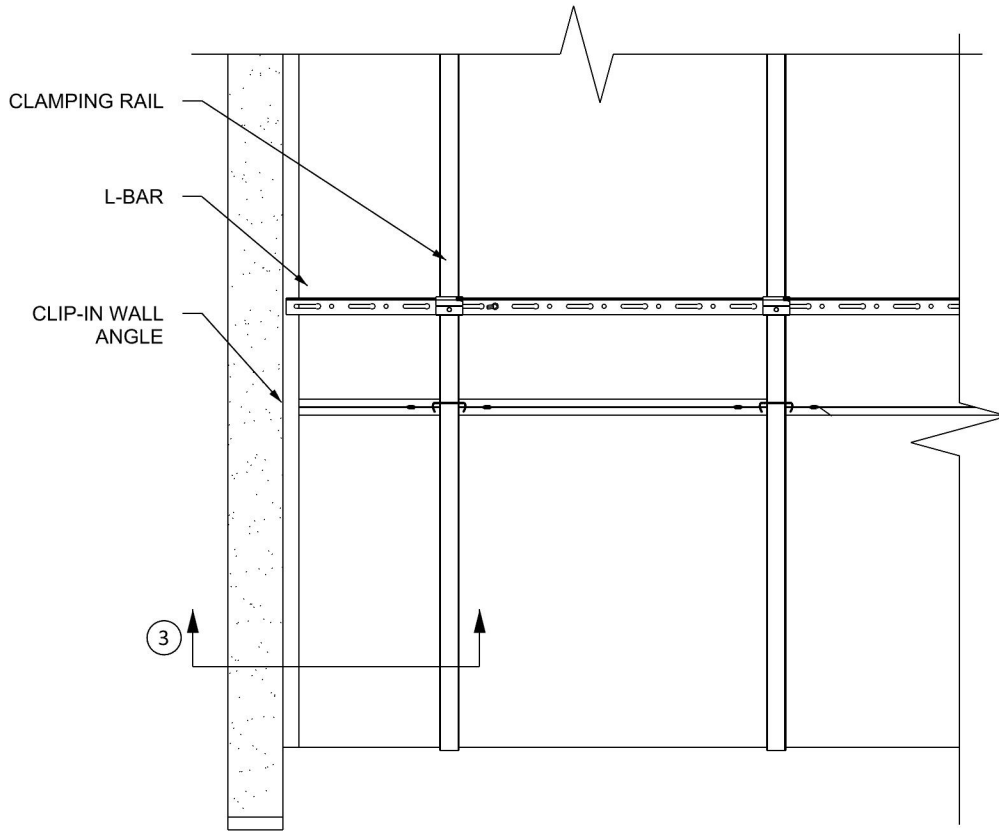
7
RETENTION CLIP



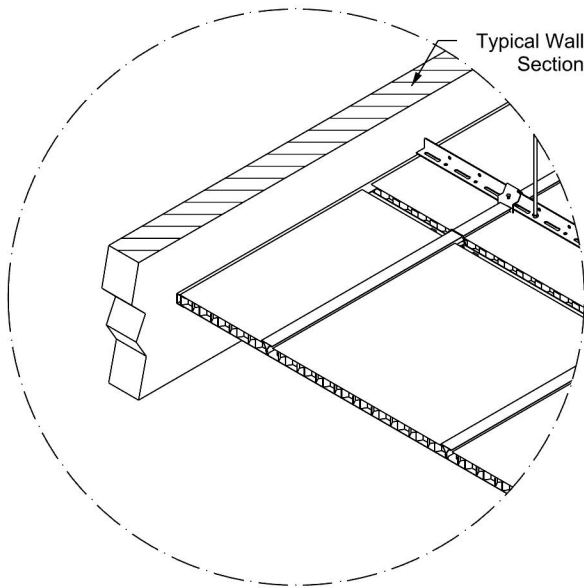
1 Typical Region - Plan View



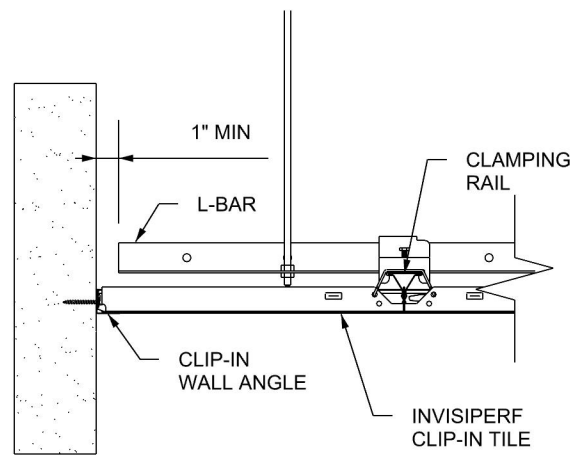
2 Typical Region - Section View



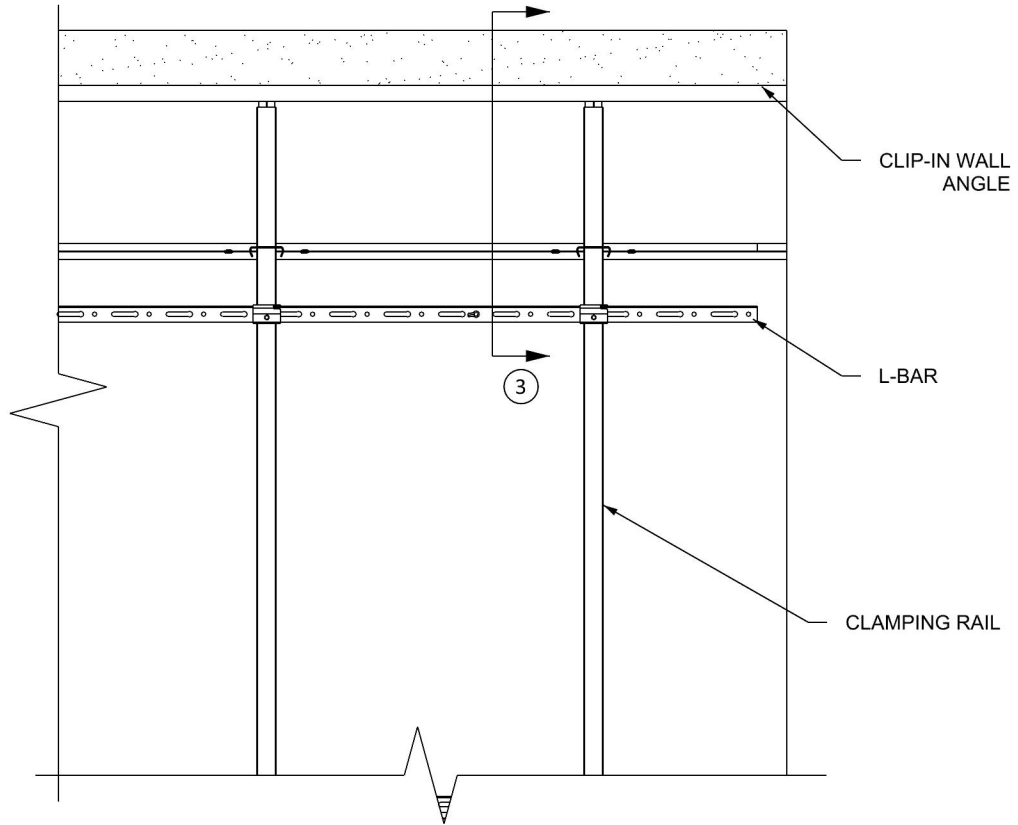
1 Trim Detail 1 - Plan View



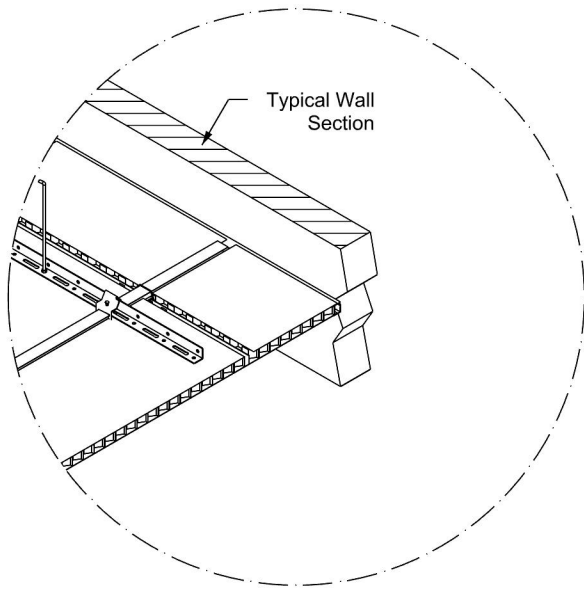
2 Trim Detail - Isometric



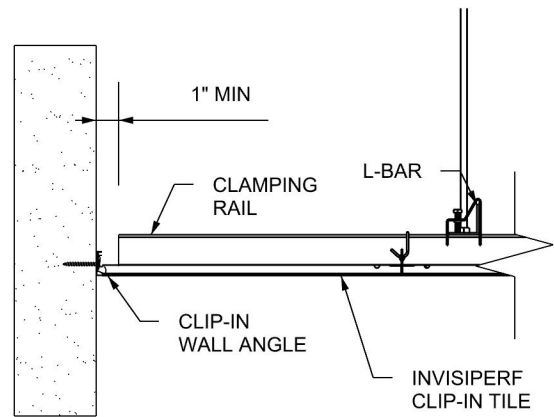
3 Trim Detail 1 - Section



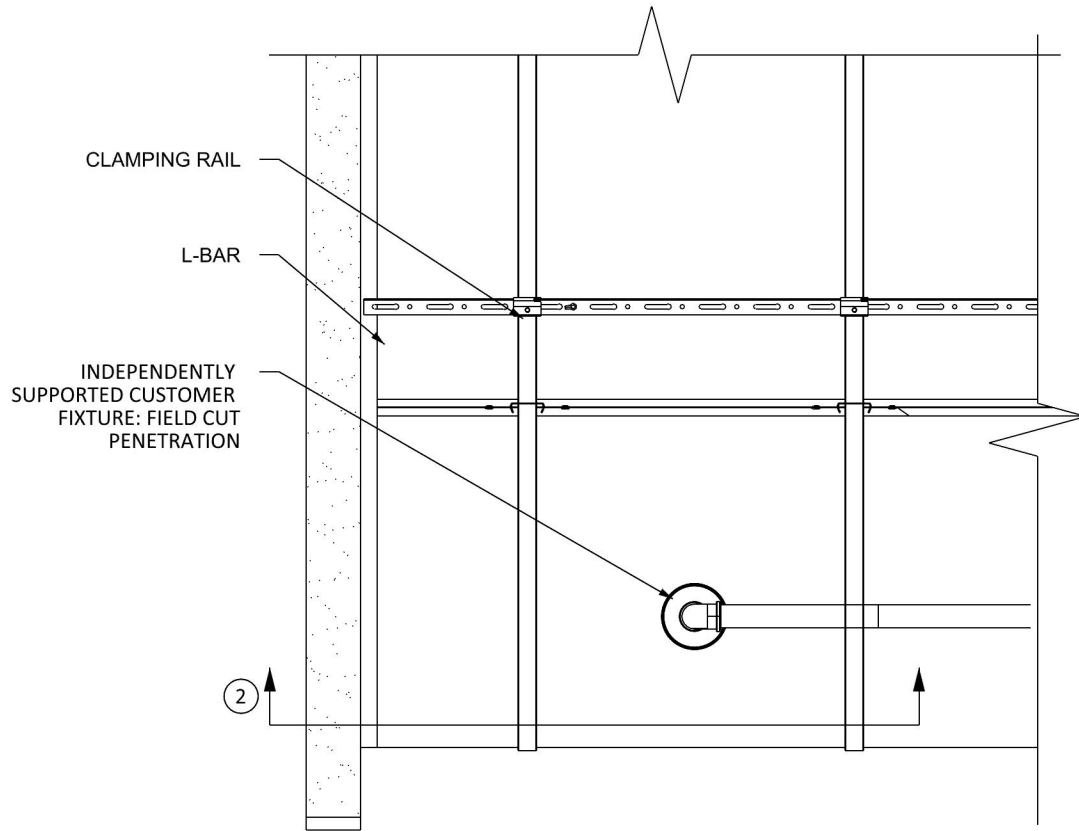
1 Trim Detail 2 - Plan View



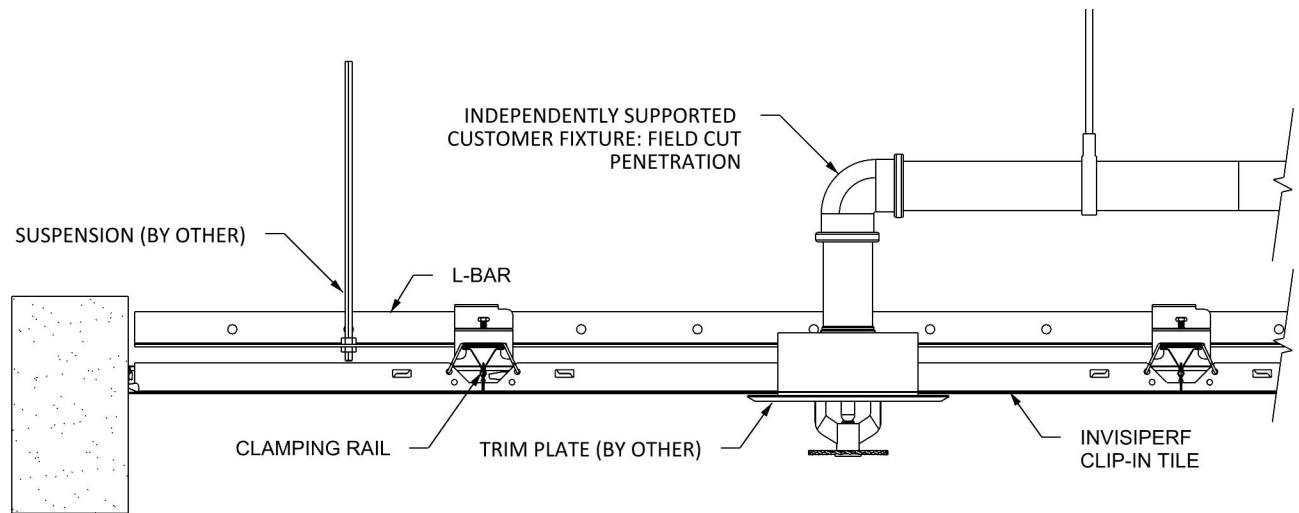
2 Trim Detail 2 - Isometric



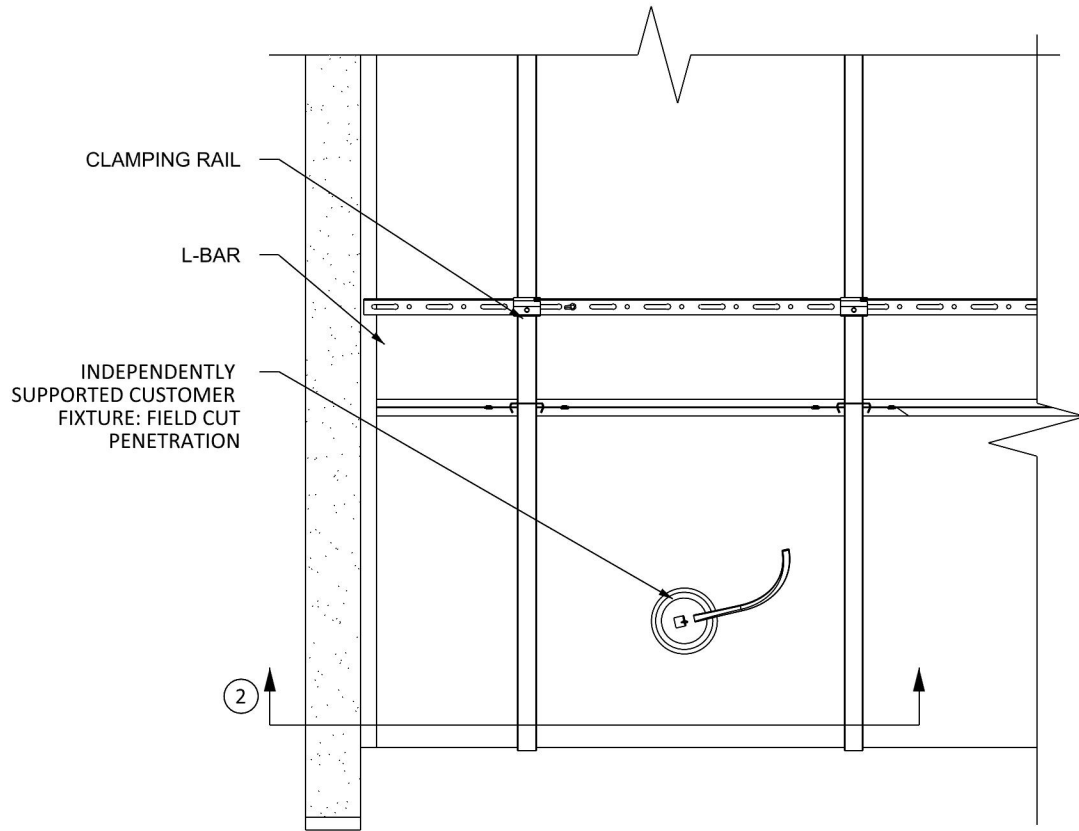
3 Trim Detail 2 - Section



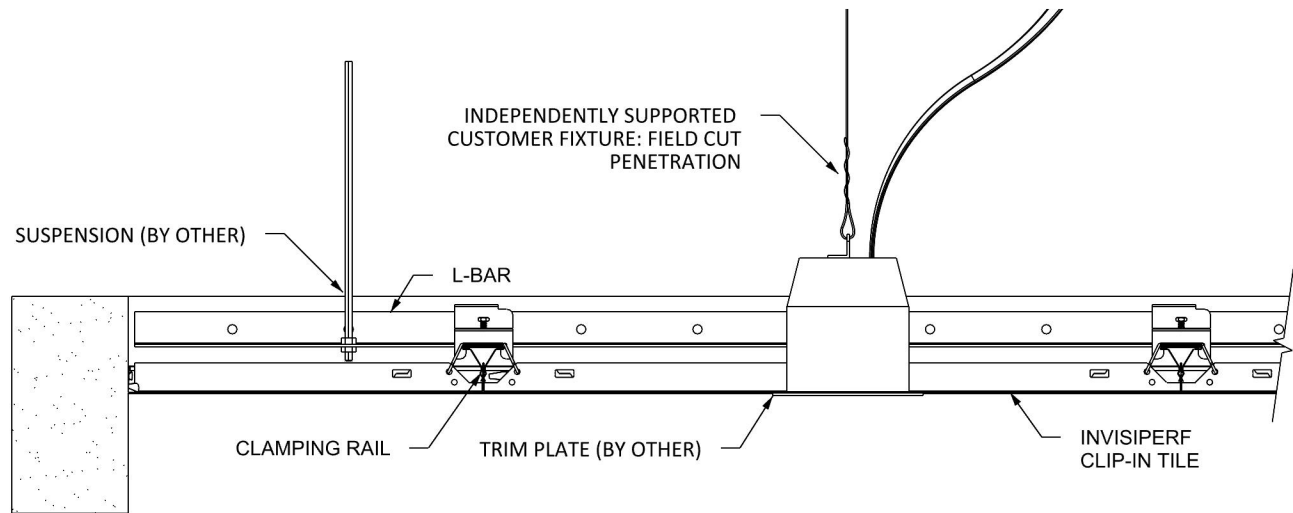
1 Sprinkler Detail - Plan View



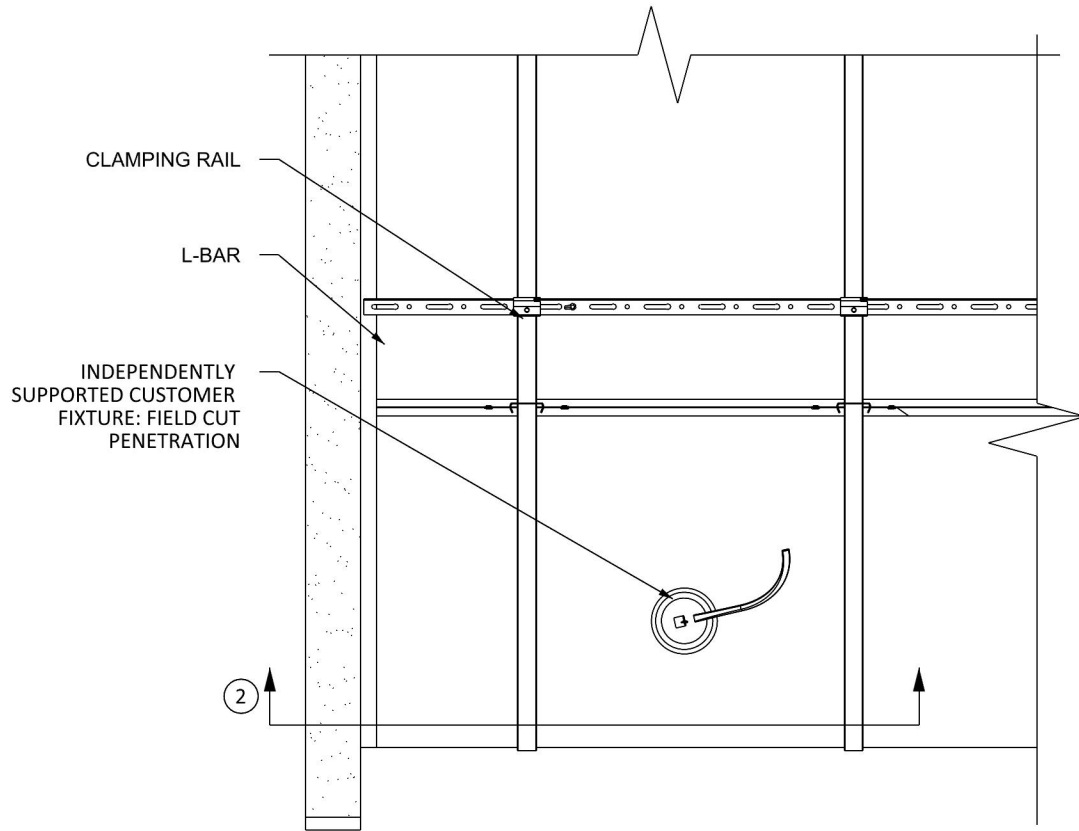
2 Sprinkler Detail - Section View



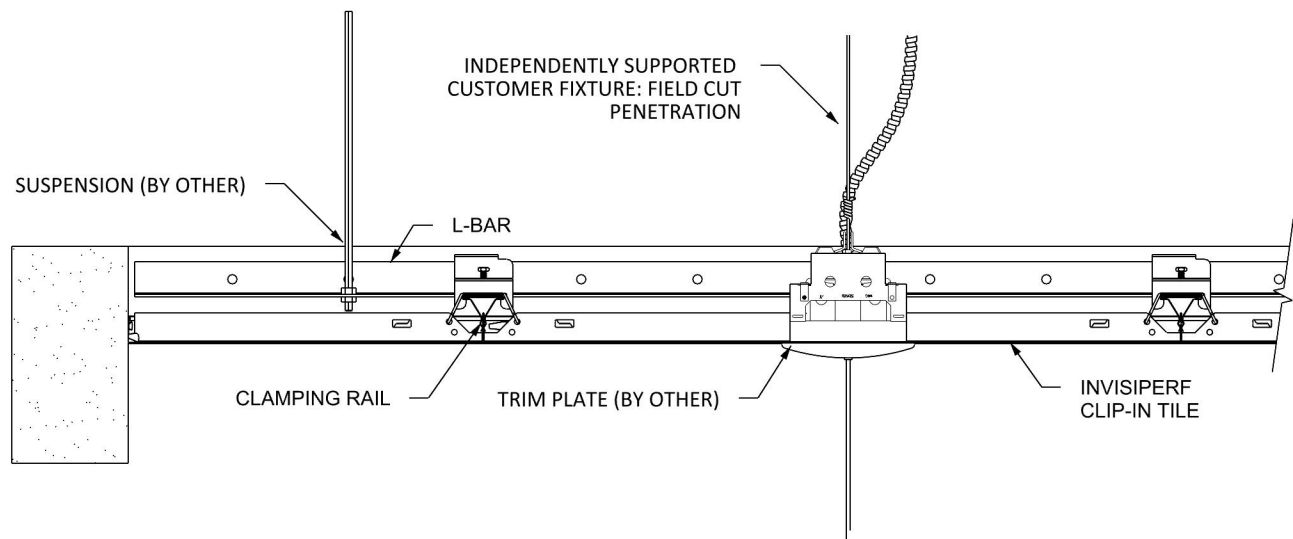
1 Recessed Light Detail - Plan View



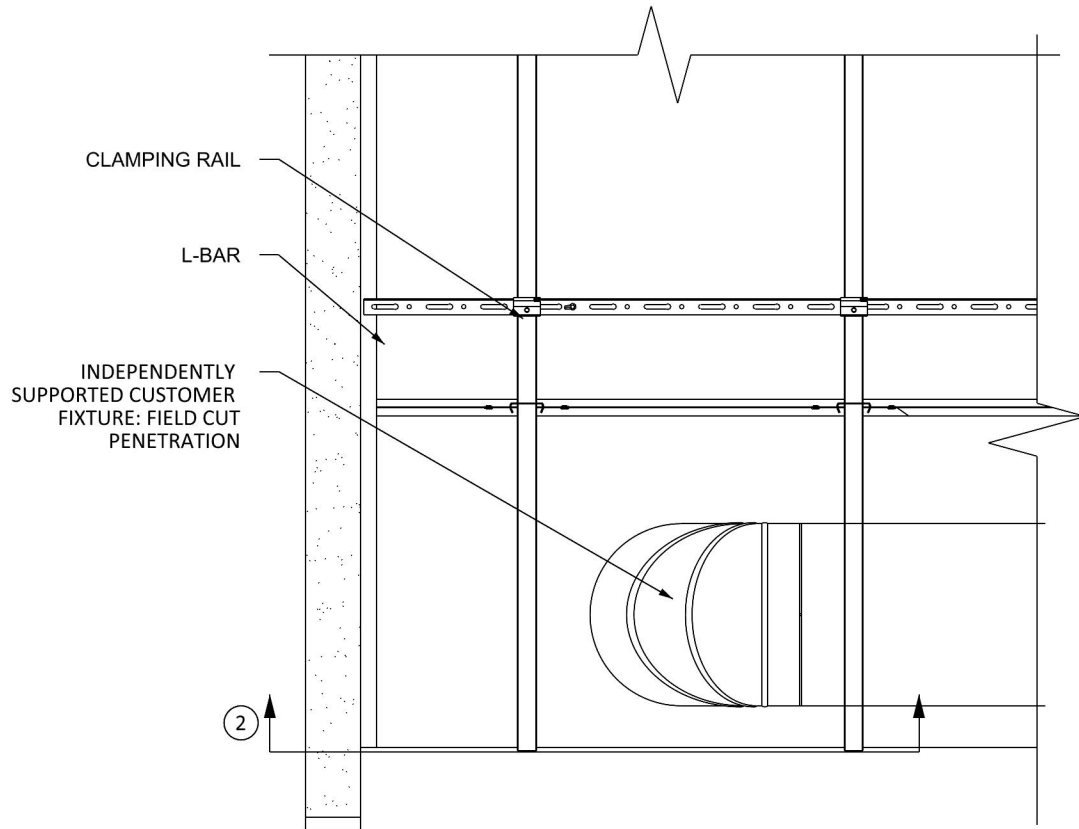
2 Recessed Light Detail - Section View



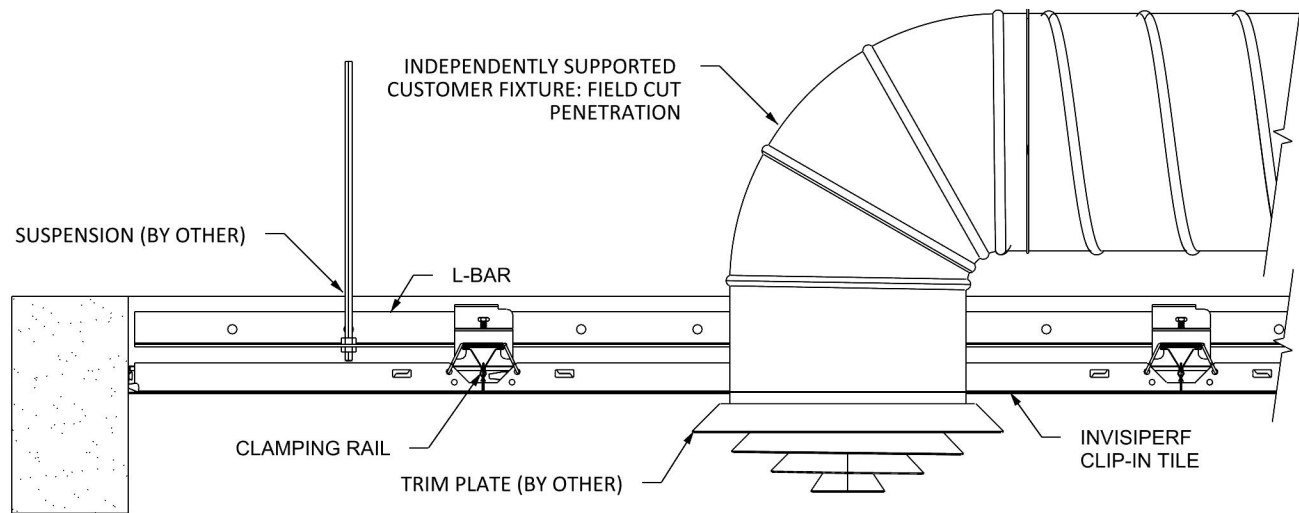
1 Pendant Light Detail - Plan View



2 Pendant Light Detail - Section View



1 HVAC Detail - Plan View



2 HVAC Detail - Section View