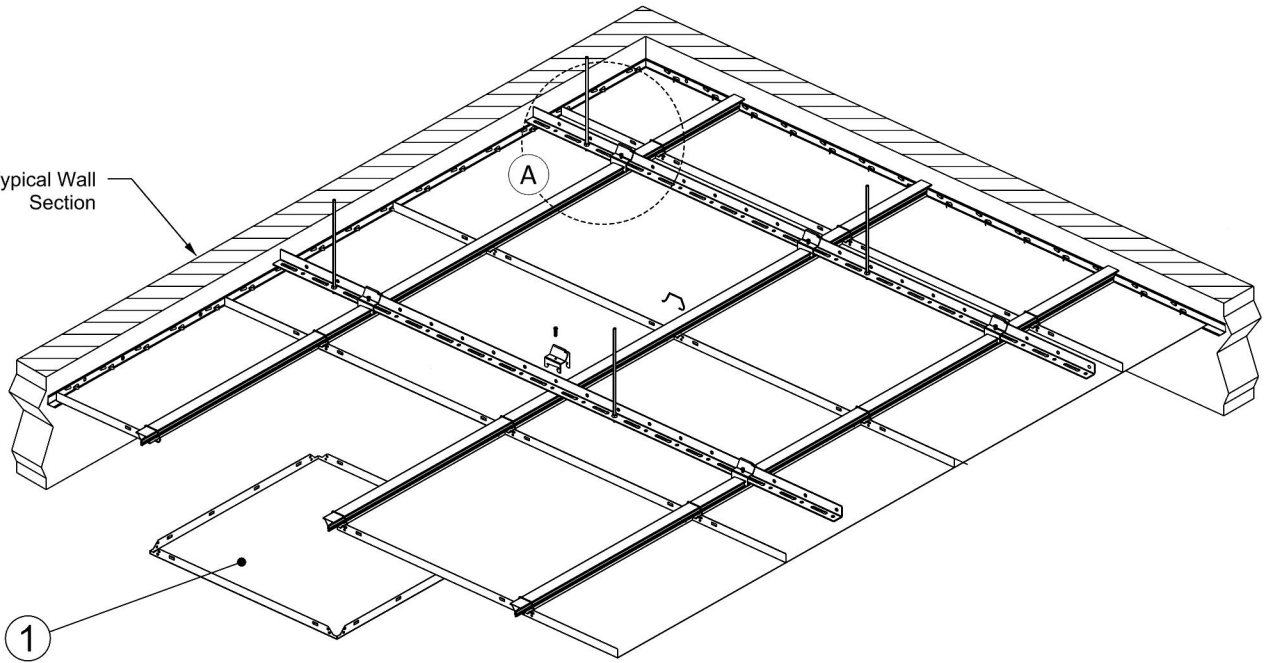
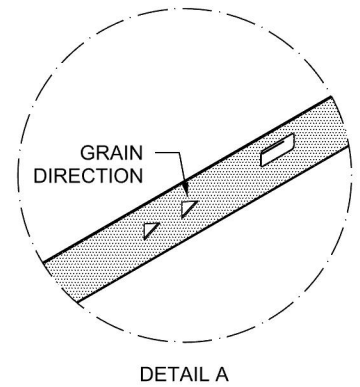
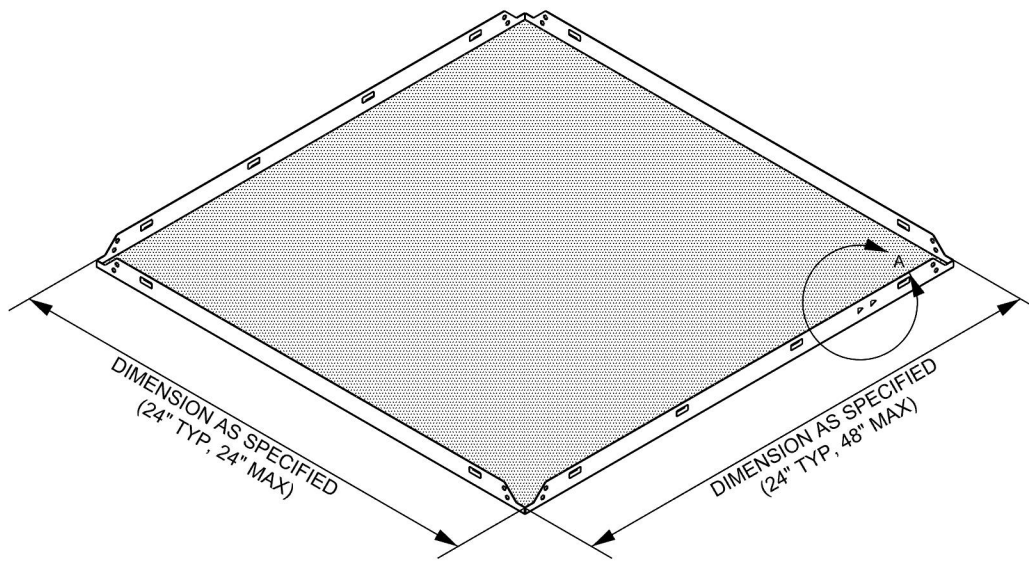


Typical Wall Section

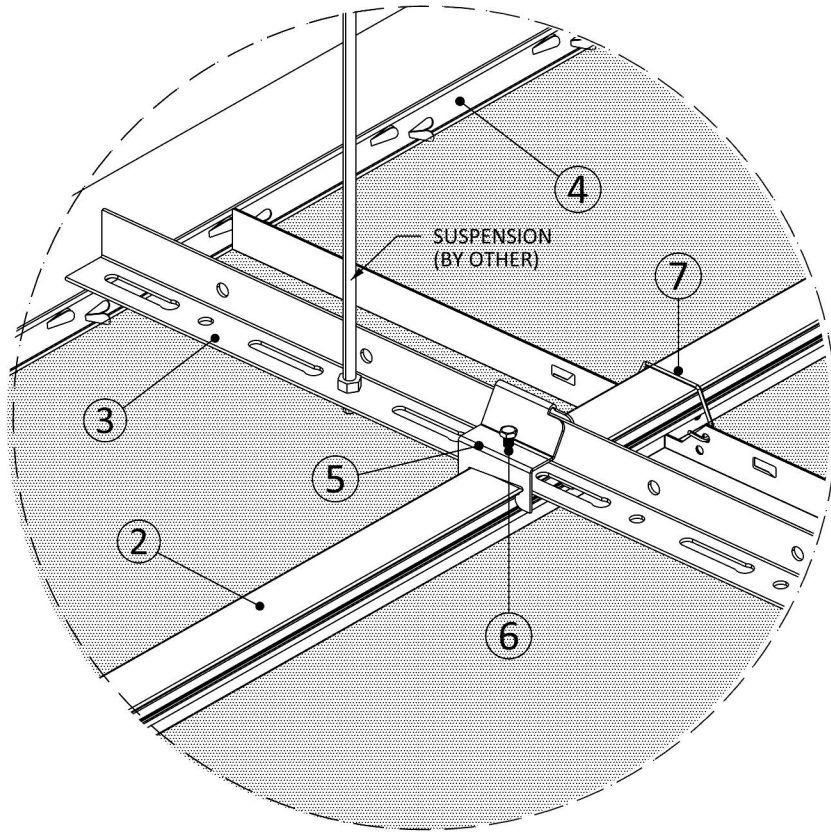


1

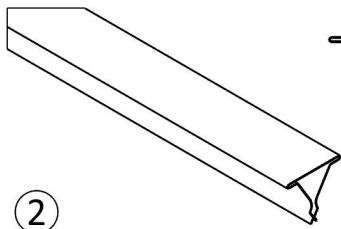


1

CLIP IN TILE

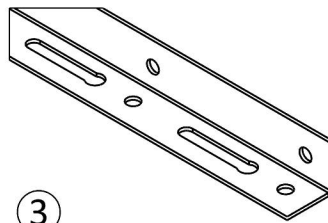


A Hardware



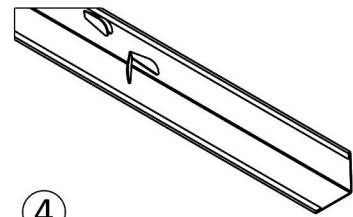
2

CLAMPING RAIL



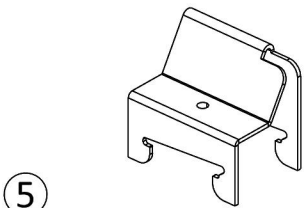
3

L - BAR



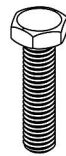
4

CLIP IN WALL ANGLE



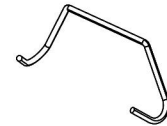
5

CLIP



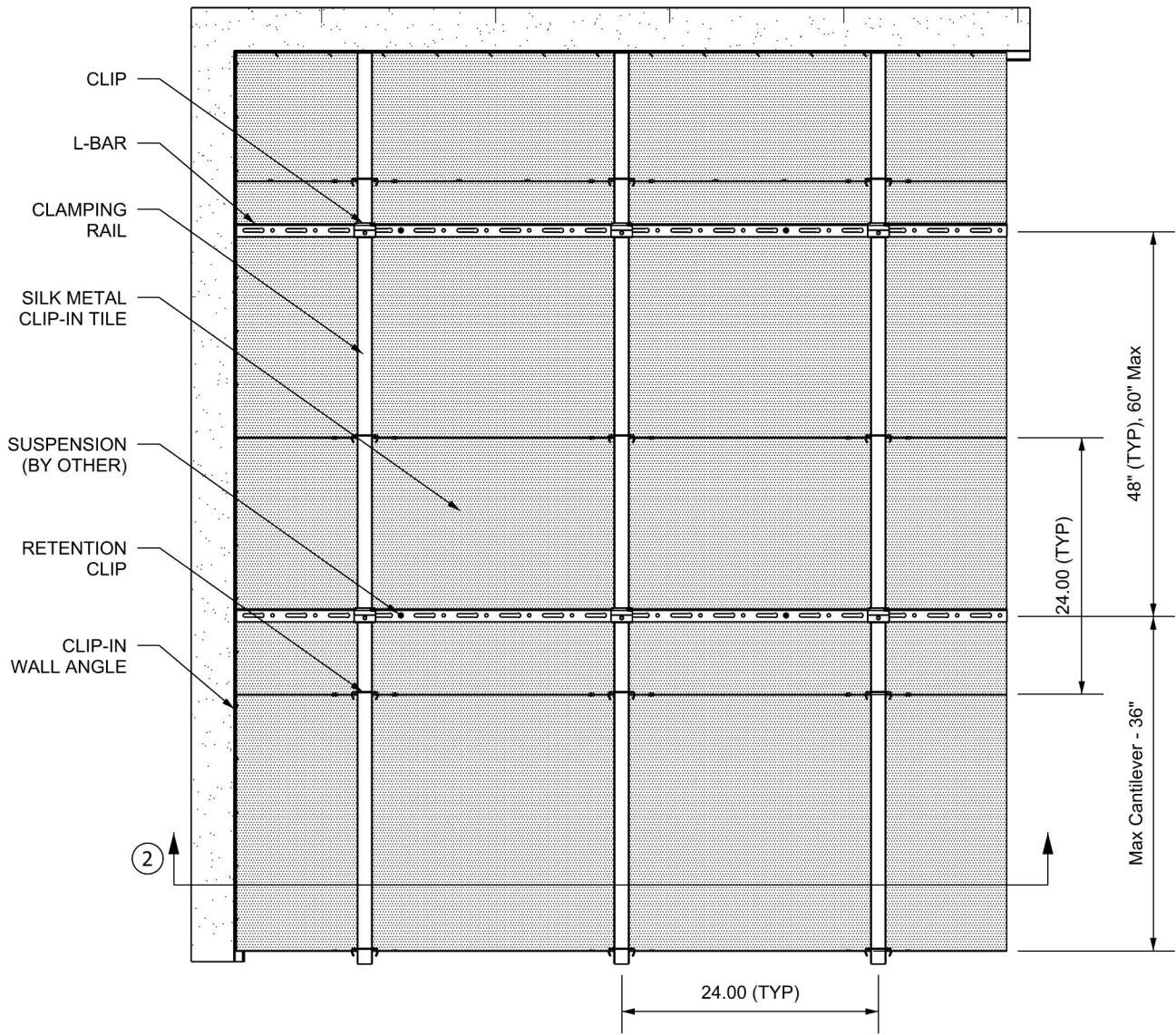
6

LOCKING SCREW

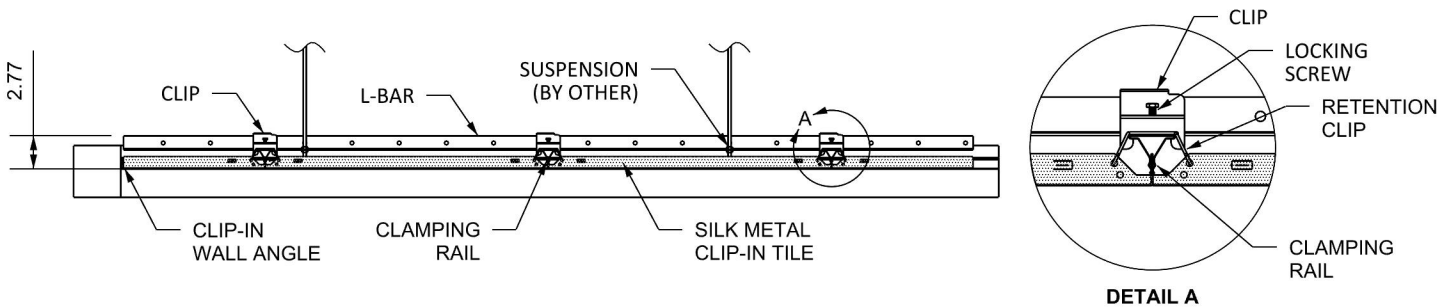


7

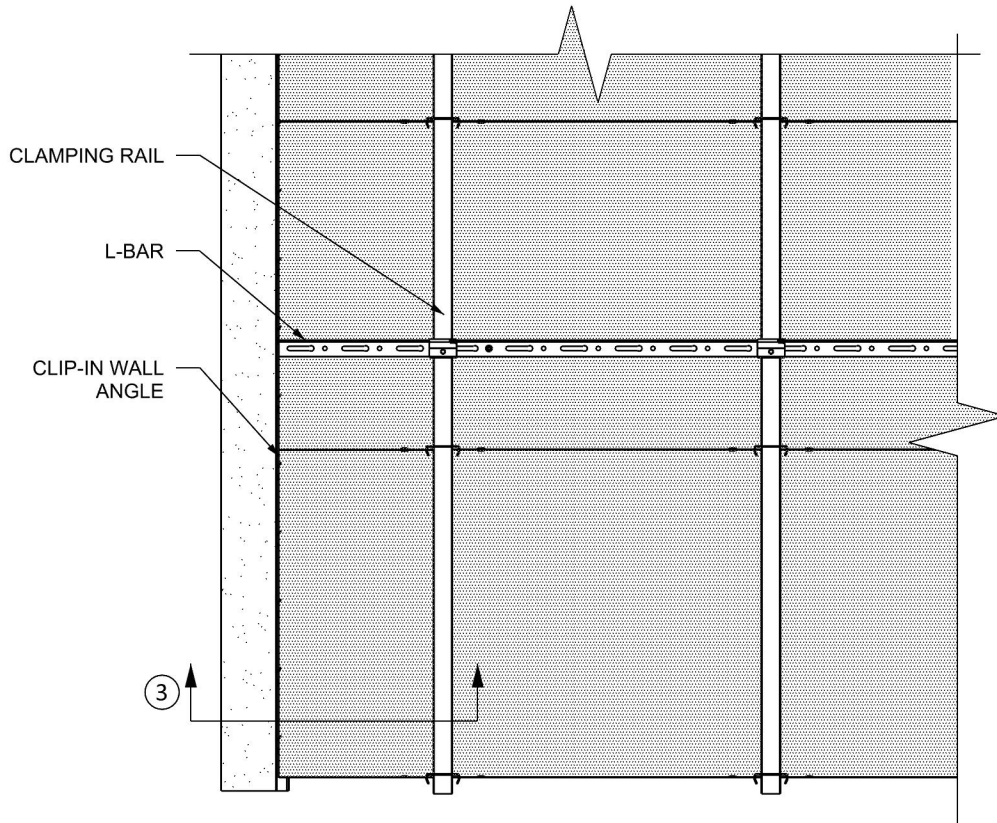
RETENTION CLIP



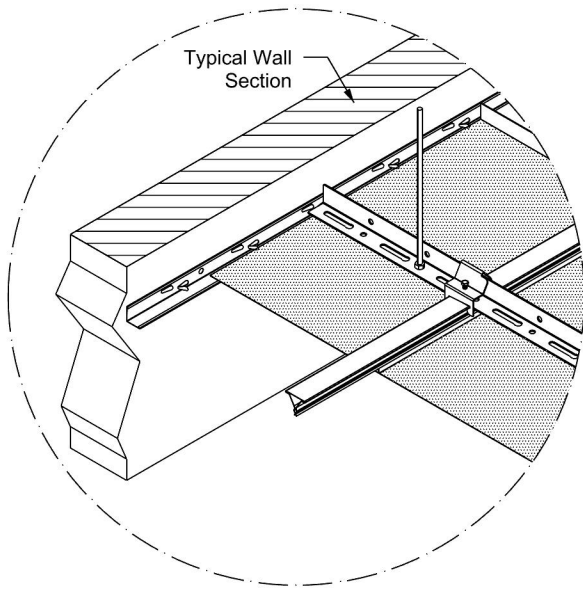
1 Typical Region - Plan View



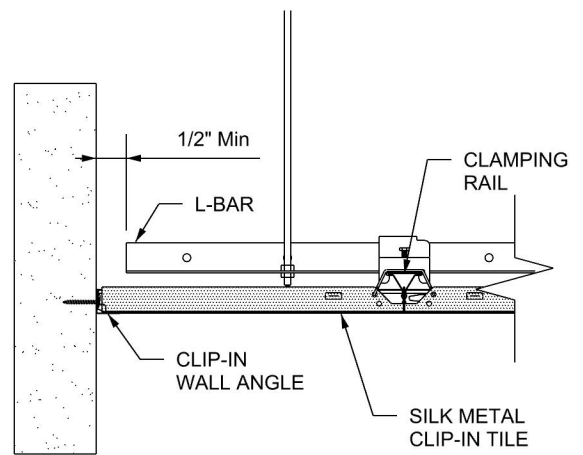
2 Typical Region - Section View



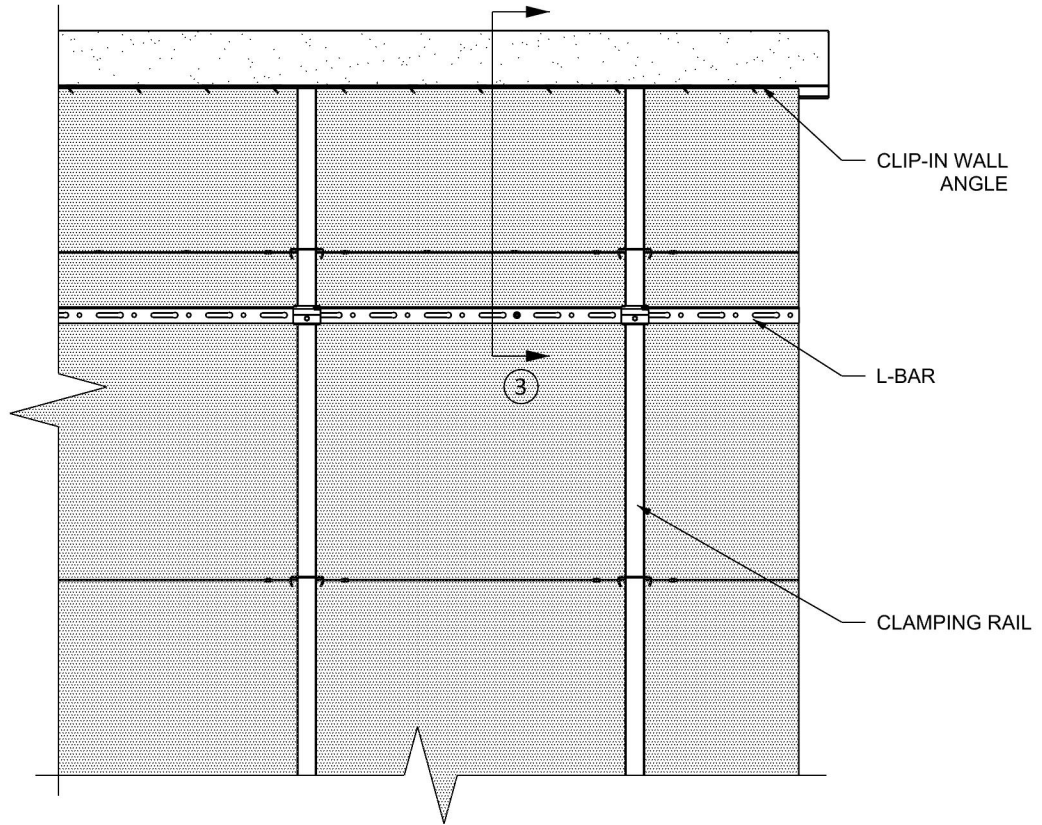
1 Trim Detail 1 - Plan View



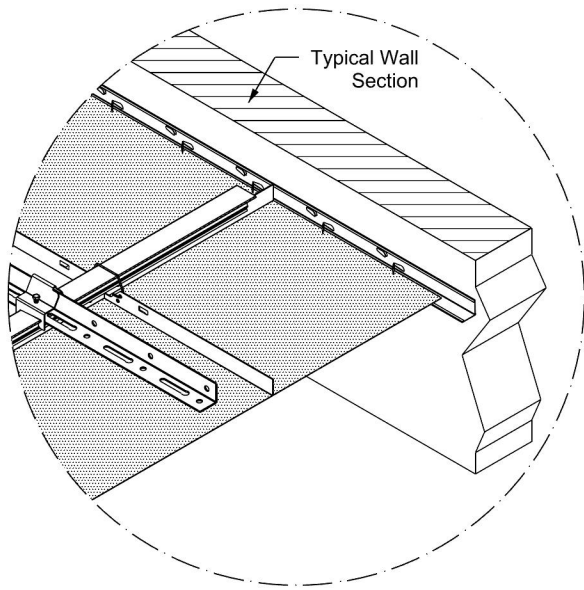
2 Trim Detail - Isometric



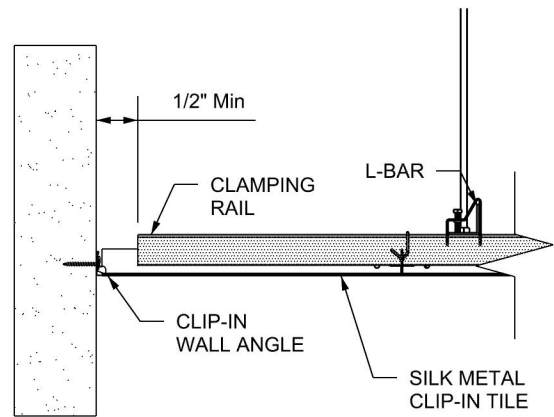
3 Trim Detail 1 - Section



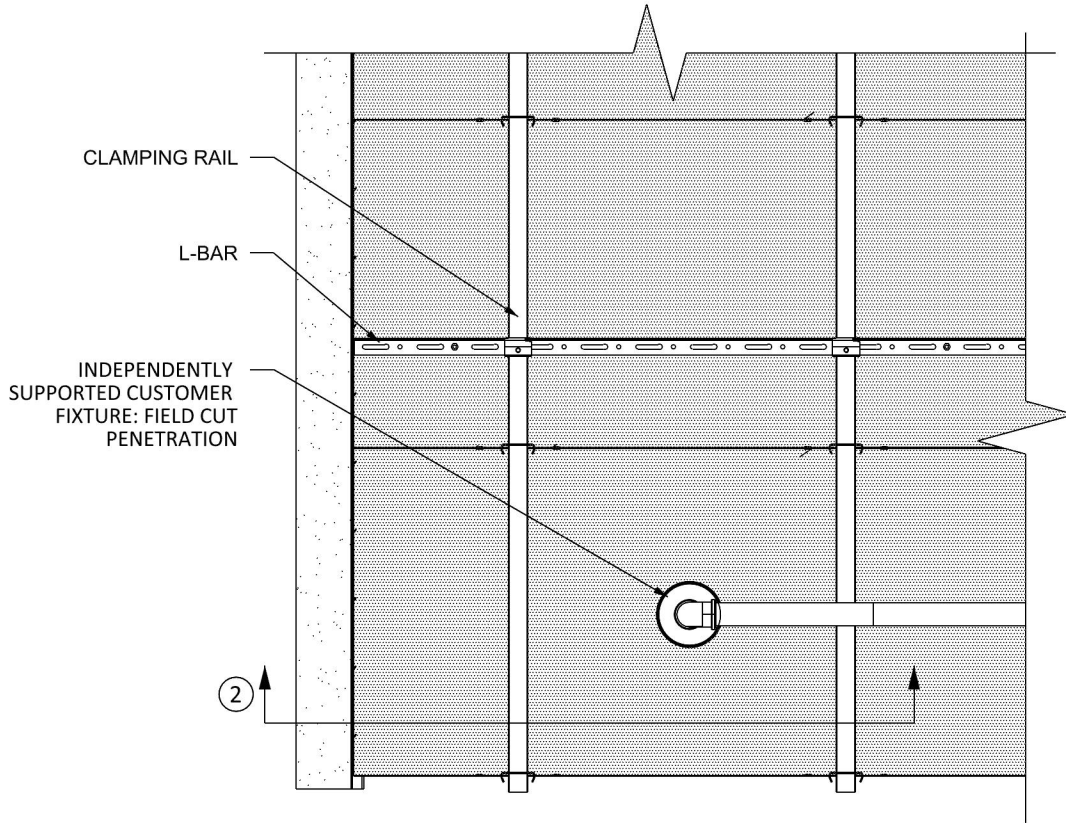
1 Trim Detail 2 - Plan View



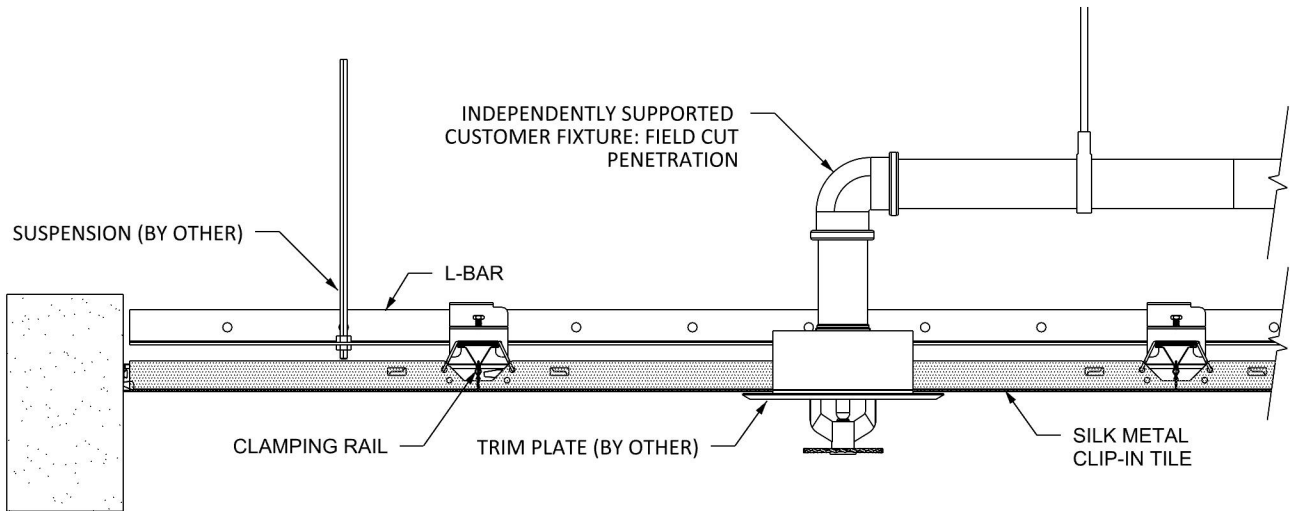
2 Trim Detail 2 - Isometric



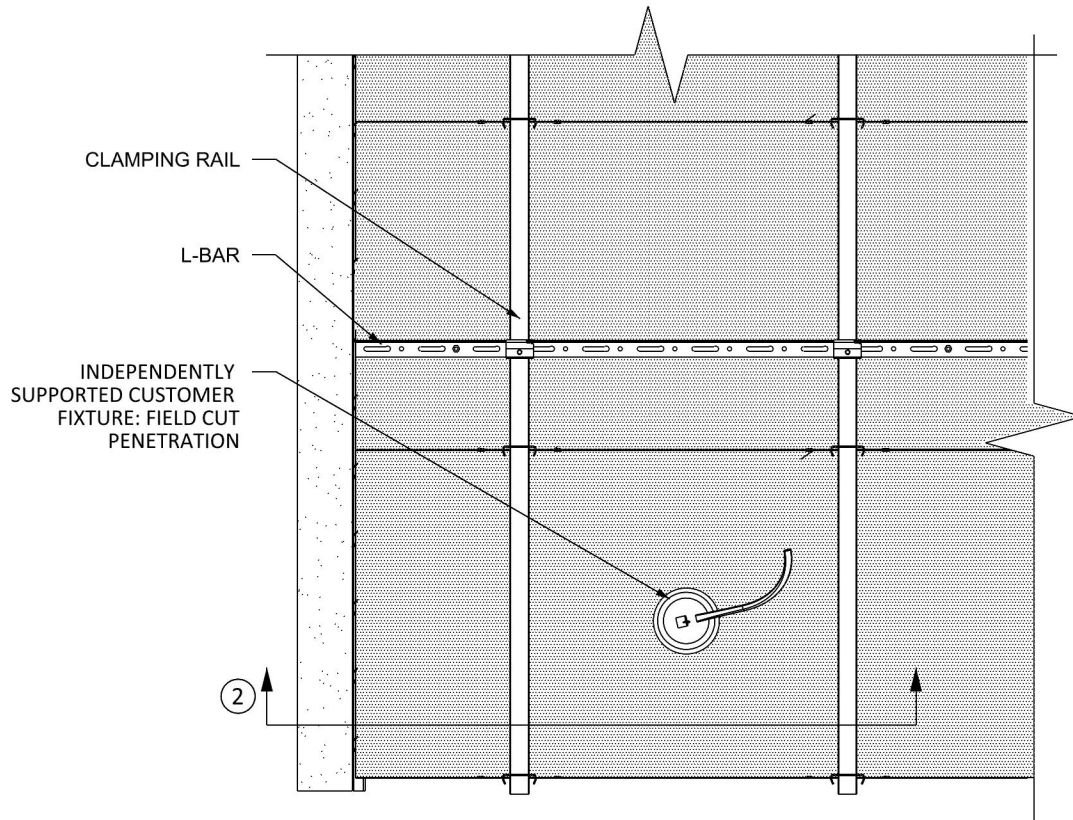
3 Trim Detail 2 - Section



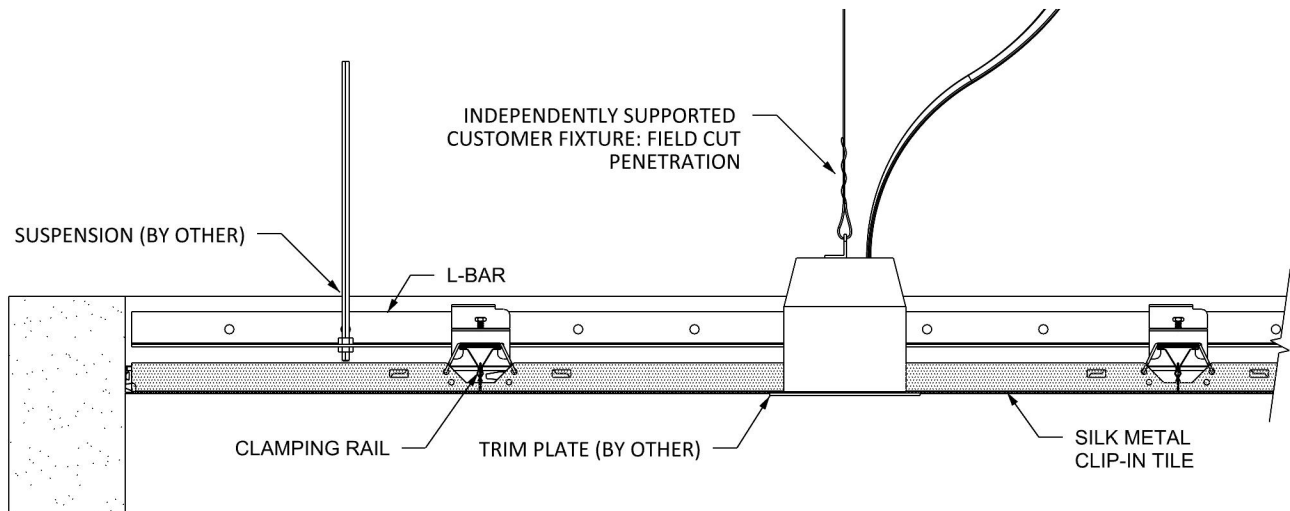
1 Sprinkler Detail - Plan View



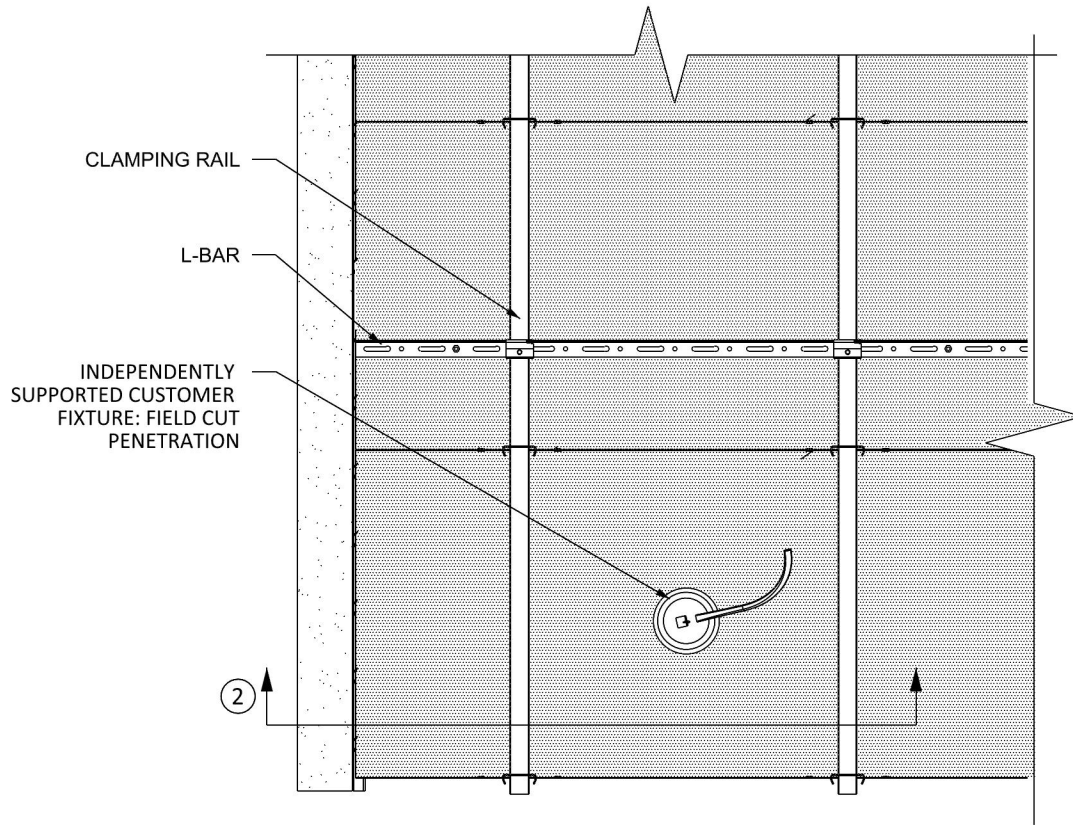
2 Sprinkler Detail - Section View



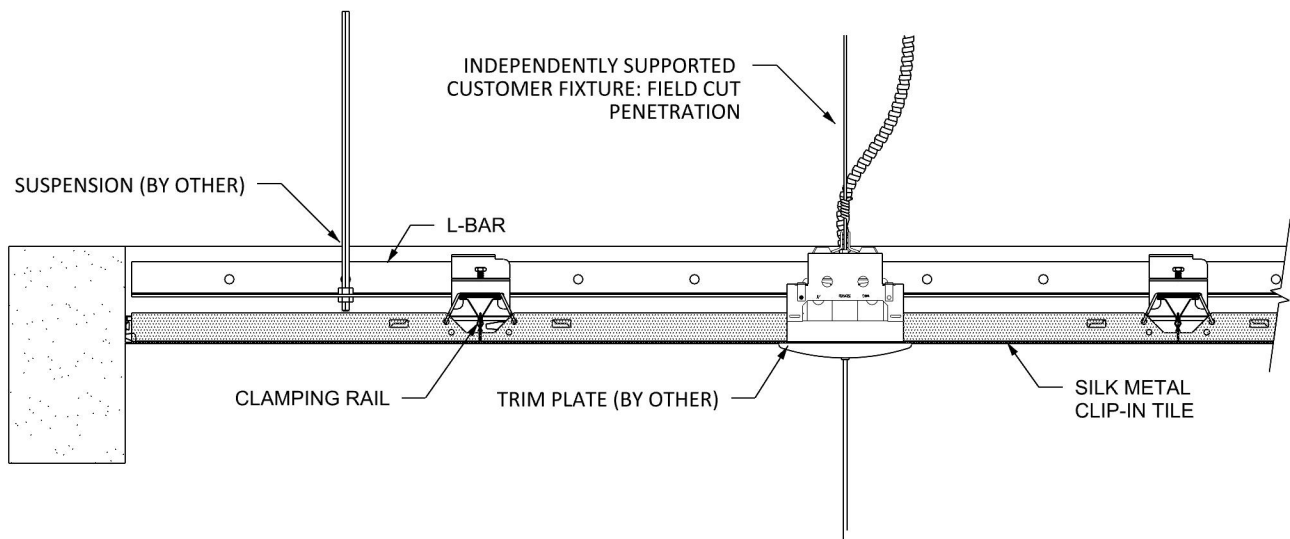
1 Recessed Light Detail - Plan View



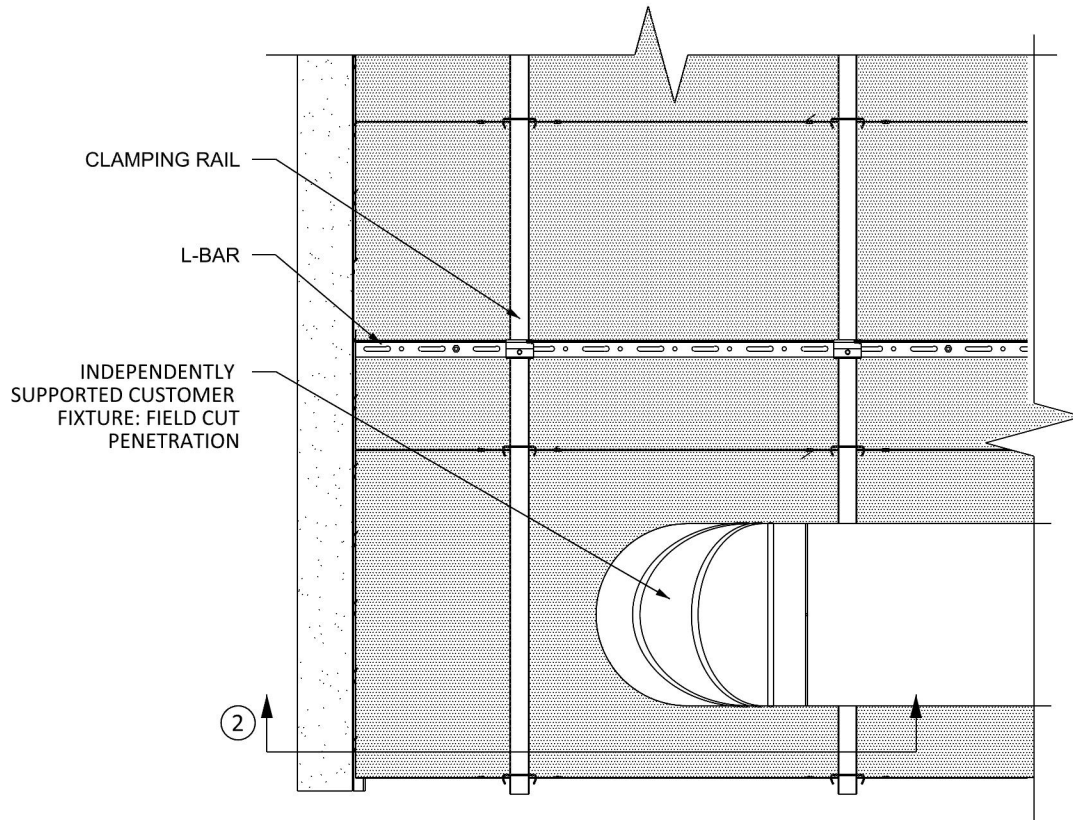
2 Recessed Light Detail - Section View



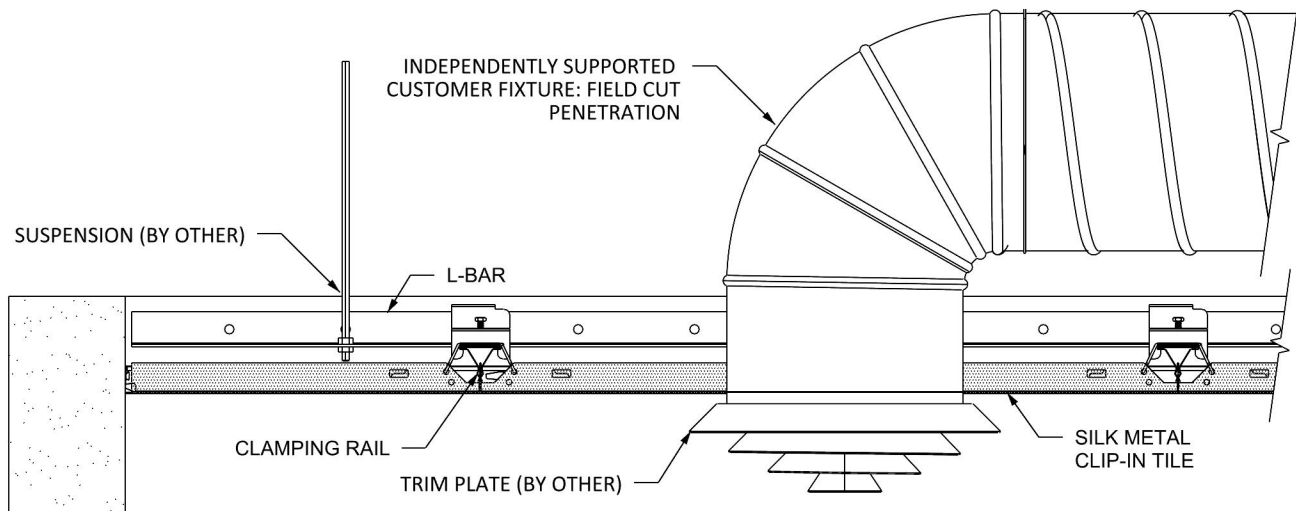
1 Pendant Light Detail - Plan View



2 Pendant Light Detail - Section View



1 HVAC Detail - Plan View



2 HVAC Detail - Section View