



CEILING TILE

SILK METAL



MATERIAL LOGIQ



BAFFLE

SILK METAL ACOUSTIC CEILING BAFFLE

NRC 0.80 from a metal ceiling tile, no acoustic backer needed. Proprietary micro-slits, nearly invisible once installed, use TVD Technology to convert sound energy to heat within the panel itself. Drop them into a standard suspension grid and the result is a seamless metal ceiling plane with serious acoustic performance built in. All the presence of metal with the kind of sound control that used to require a completely different material.

KEY INFO

Material:	Aluminum with TVD Technology
Acoustics:	0.80 NRC
Fire Rating:	Class A
Warranty:	1 year
Sustainability:	IAQ Gold Certified HPD Declare label

SPECS

Tile Size:	2' x 2', 2' x 4'
Edge Detail:	Square, Tegular
Installation Method:	Lay-In
Finishes:	9 Solid powder coat colors 9 Wood grain textures 3 Stone textures

CUSTOM OPTIONS

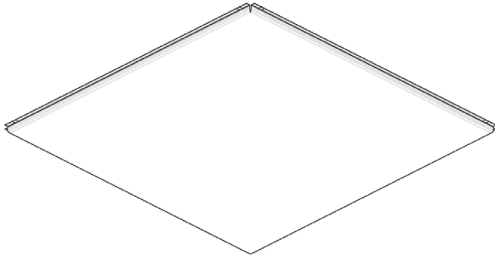
Every Material Logiq system is designed to be adapted – modified in size, shape, finish, and configuration to fit your project, not the other way around.

Tile Size:	Custom sizes up to 48" x 96"
Finish:	Custom solid powder coat RAL colors available

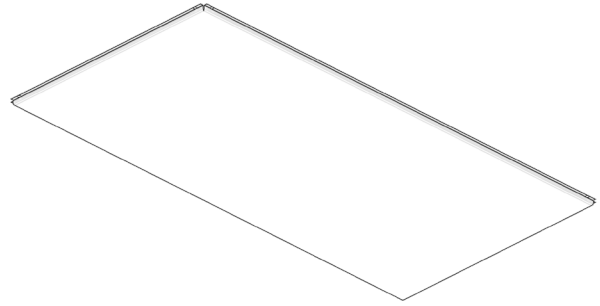
Note: Minimum quantities may apply for custom options.

EDGE DETAIL

Tegular

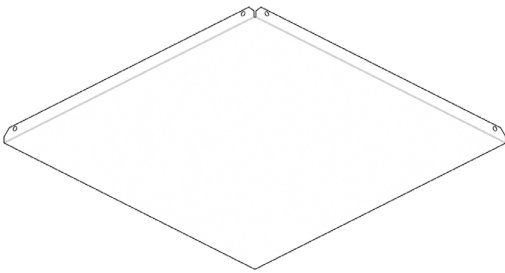


Lay In Tegular 2x2

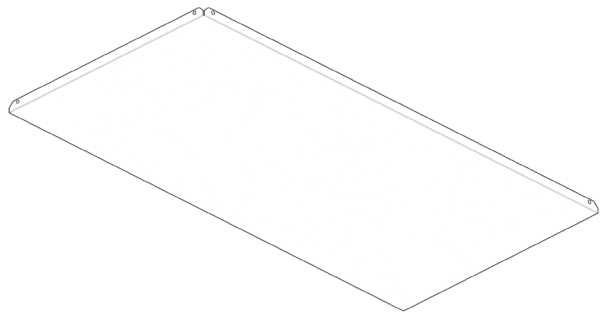


Lay In Tegular 2x4

Square



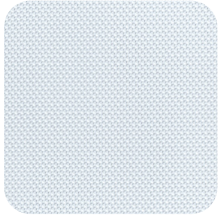
Lay In Square 2x2



Lay In Square 2x4

FINISHES

Solid Color Powder Coat



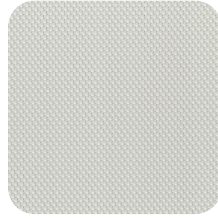
Snow White



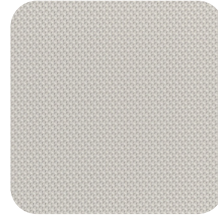
Cloud Gray



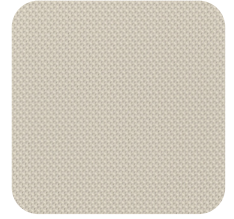
Black



Beige White



Ivory White



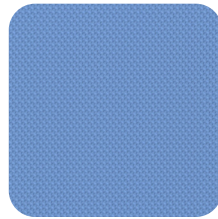
Pearl Yellow



Brown



Aqua Green



Sky Blue

Wood Grain Texture



Teak



Dark Teak



Silver Teak



Oak



Red Oak



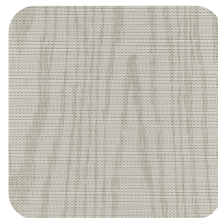
Light Oak



Old Oak

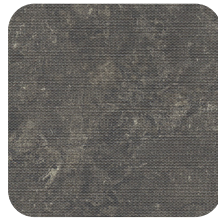


Red Chestnut

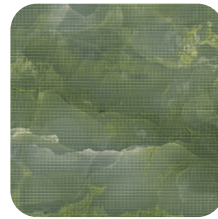


Washed Maple

Stone Texture



Granite



Biostone

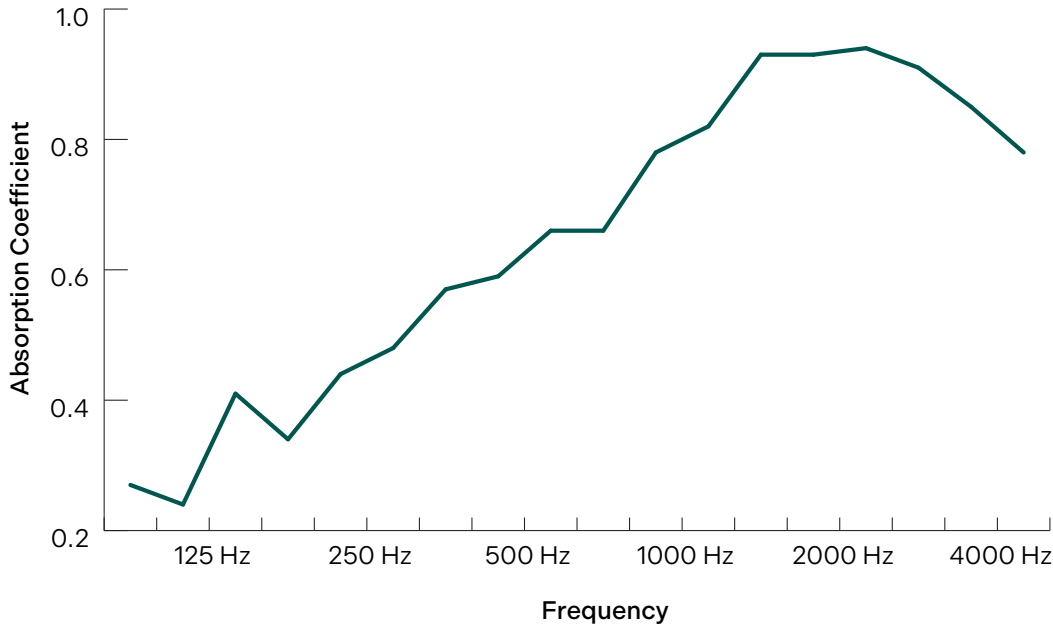


Slate

Due to color variance in monitor and print settings, please verify Silk Metal color by requesting a material sample.

PERFORMANCE DATA

ACOUSTIC PERFORMANCE



Product	Mounting	Backer	250 Hz	500 Hz	1000 Hz	2000 Hz	NRC
Silk Metal Ceiling Tile	E-400	None	0.94	0.65	0.77	0.76	0.80

ADDITIONAL TESTING

Fire Rating: Class A per ASTM E84

Light Reflectance: 88.5 (Snow White)

CERTIFICATIONS

