



# **BAFFLE**

SILK METAL



**MATERIAL LOGIQ**



# BAFFLE

## SILK METAL ACOUSTIC CEILING BAFFLE

Silk Metal Baffles provide a continuous metal surface that absorbs sound. Proprietary micro-slits, nearly invisible once installed, use TVD Technology to convert sound energy to heat within the aluminum itself, delivering an NRC 0.70 from the baffle alone. No acoustic infill means nothing within the baffle to sag, discolor, or degrade over time.

### KEY INFO

<b>Material:</b>	Aluminum with TVD Technology
<b>Acoustics:</b>	0.70 NRC
<b>Fire Rating:</b>	Class A
<b>Warranty:</b>	1 year
<b>Sustainability:</b>	IAQ Gold Certified HPD Declare label

### SPECS

<b>Baffle Thickness:</b>	1.2", 2"
<b>Baffle Height:</b>	4" – 11"
<b>Beam Length:</b>	24" – 108"
<b>Spacing:</b>	6" – 18" o.c.
<b>End Profile:</b>	Square
<b>Suspension Type:</b>	Independent, framed
<b>Installation Method:</b>	Cable, threaded rod, T-grid, Unistrut
<b>Finishes:</b>	9 Solid powder coat colors 9 Wood grain textures 3 Stone textures

### CUSTOM OPTIONS

Every Material Logiq system is designed to be adapted – modified in size, shape, finish, and configuration to fit your project, not the other way around.

<b>Baffle Profile:</b>	Custom profiles available
<b>Baffle Thickness:</b>	Custom thicknesses available
<b>Finish:</b>	Custom solid powder coat RAL colors available

*Note: Minimum quantities may apply for custom options.*

# DETAILS

---

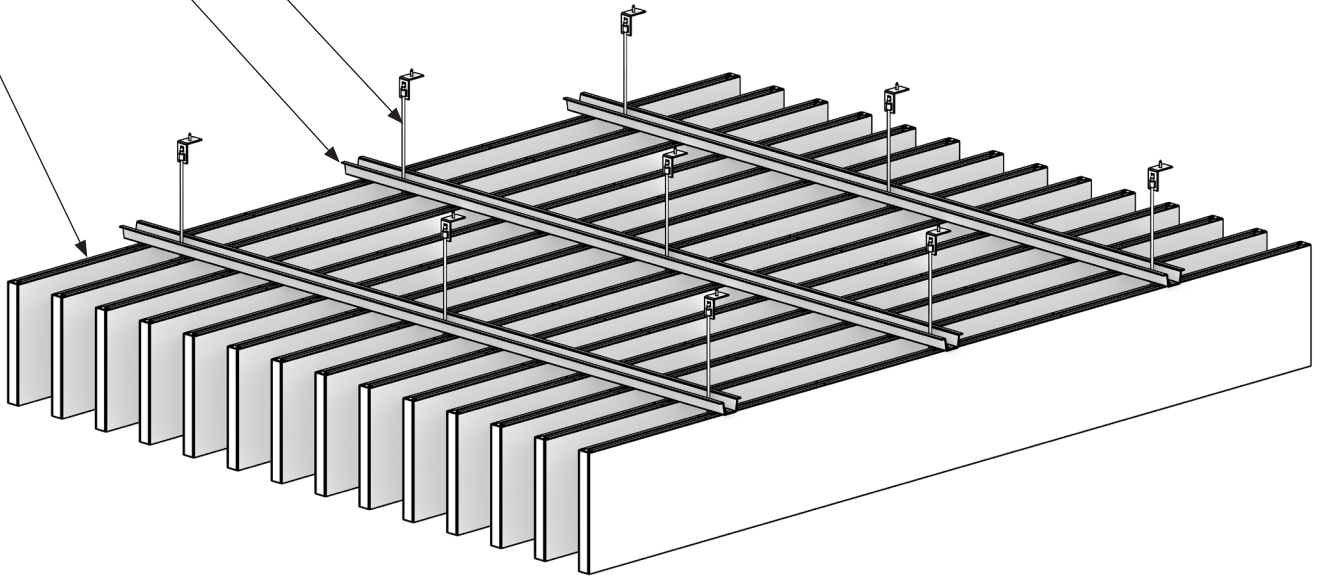
## Baffle Components

---

Installation Hardware

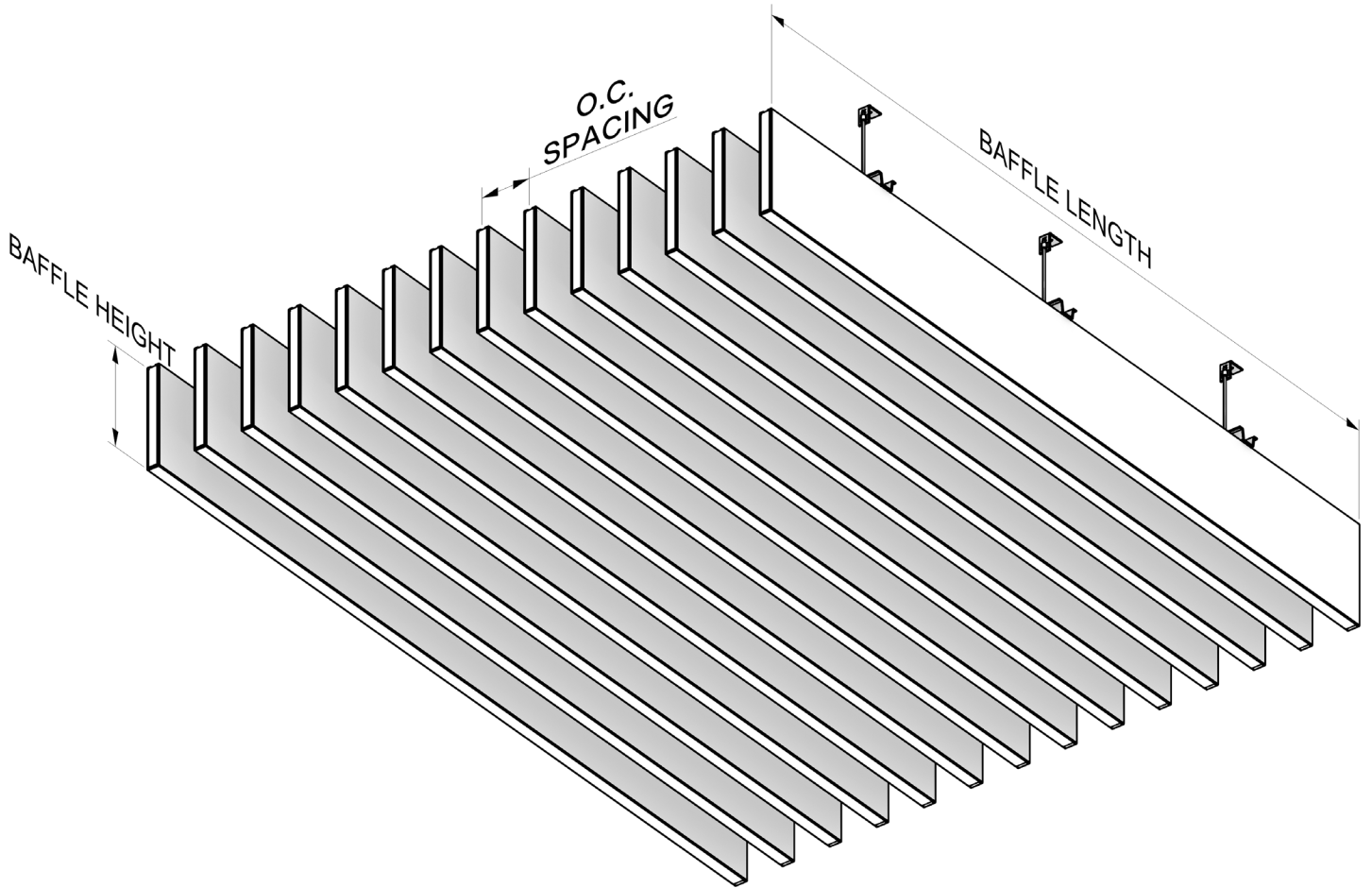
U-Channel (Optional)

Baffle



# DIMENSIONS

## Baffle Dimensions

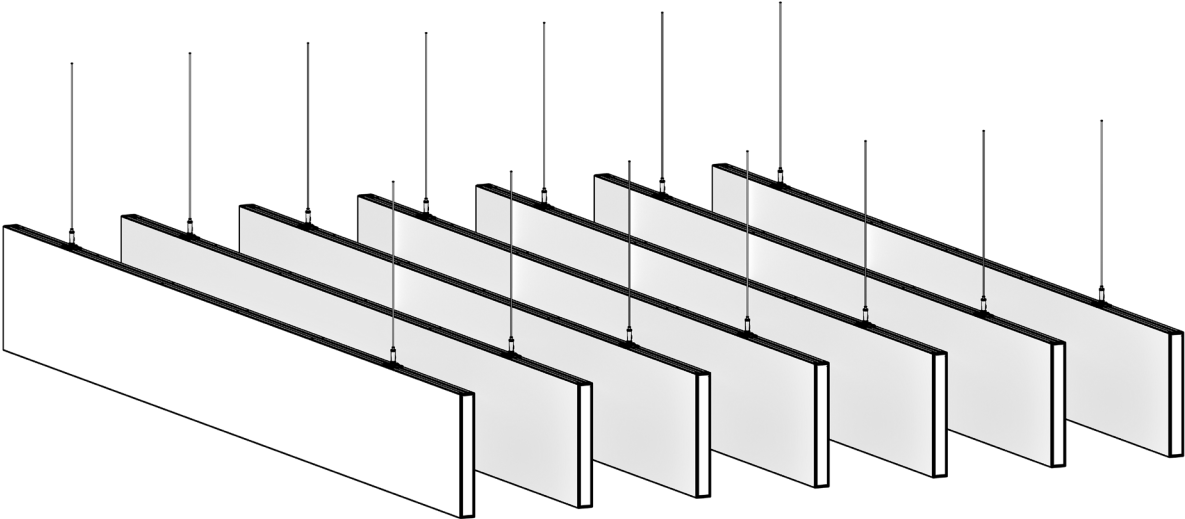


# SUSPENSION TYPE

---

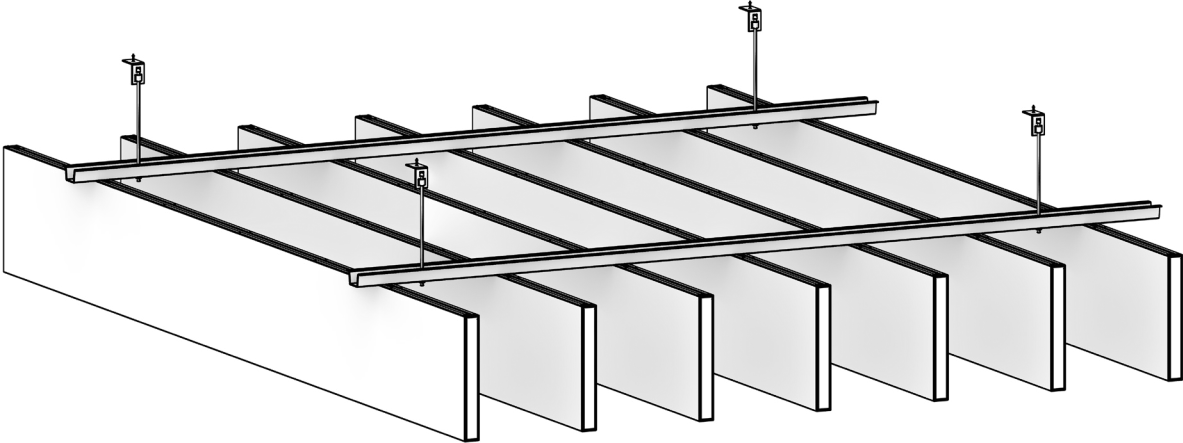
## Independent

---



## Framed

---

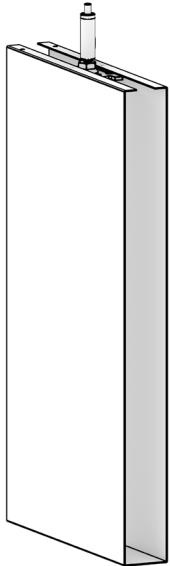


# INSTALLATION METHOD

---

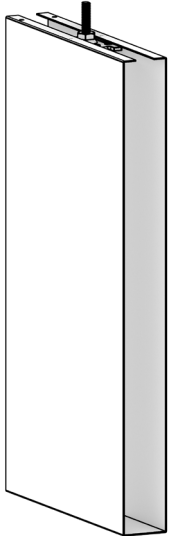
Cable

---



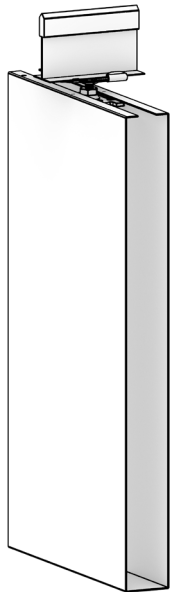
Threaded Rod

---



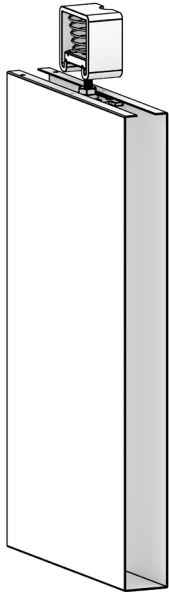
T-Grid

---



Unistrut

---

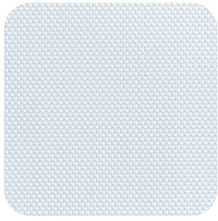


# FINISHES

---

## Solid Color Powder Coat

---



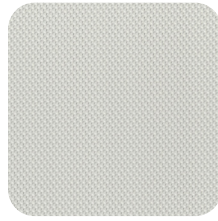
Snow White



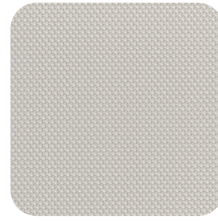
Cloud Gray



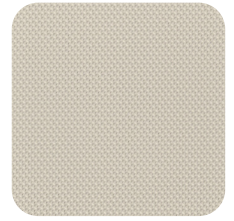
Black



Beige White



Ivory White



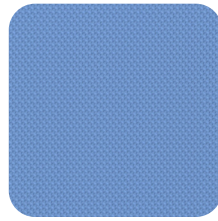
Pearl Yellow



Brown



Aqua Green



Sky Blue

## Wood Grain Texture

---



Teak



Dark Teak



Silver Teak



Oak



Red Oak



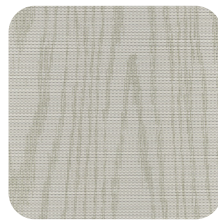
Light Oak



Old Oak



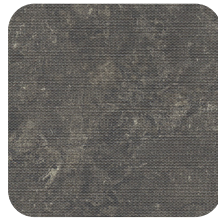
Red Chestnut



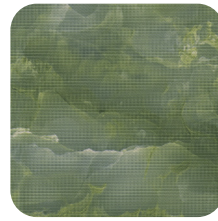
Washed Maple

## Stone Texture

---



Granite



Biostone

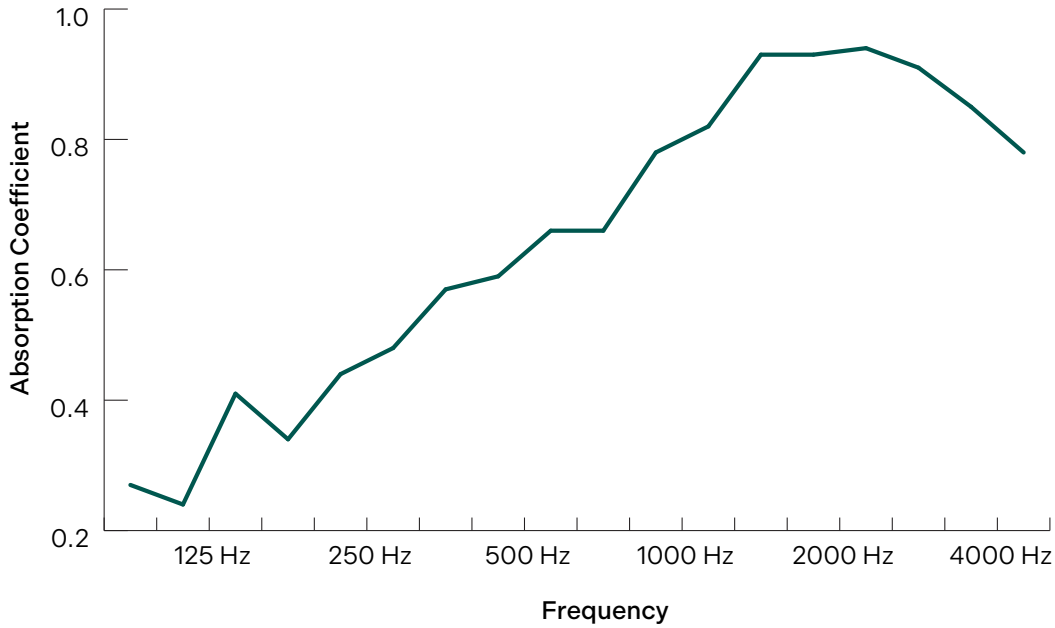


Slate

*Due to color variance in monitor and print settings, please verify Silk Metal color by requesting a material sample.*

# PERFORMANCE DATA

## ACOUSTIC PERFORMANCE



Product	Mounting	O.C. Spacing	250 Hz	500 Hz	1000 Hz	2000 Hz	NRC
2'' Silk Metal Baffle	J-Mount	12''	0.44	0.59	0.78	0.93	<b>0.70</b>

## ADDITIONAL TESTING

**Fire Rating:** Class A per ASTM E84

**Light Reflectance:** 88.5 (Snow White)

## CERTIFICATIONS

