



GRILLA

ACOUSTIC CEILING
AND WALL SYSTEM



MATERIAL LOGIQ



GRILLA

ACOUSTIC CEILING AND WALL SYSTEM

Grilla adds linear depth and acoustic warmth to ceilings and walls through PET felt beams mounted on a metal carrier. The carrier is the difference. It supports larger panel formats with fewer attachment points, keeping layouts clean and installation straightforward at any scale.

KEY INFO

Material:	1/2" recycled PET felt Powder coated steel
Acoustics:	Up to 1.20 NRC rating
Fire Rating:	Class A
Warranty:	1 year
Sustainability:	UL GREENGUARD Gold 60% recycled content HPD Declare label

SPECS

Panel Size:	24"W x 48", 96", 108"L
Beam Height:	2", 3", 4"
Beam Width:	2-1/2", 4-1/2", 6-1/2"
Reveal:	1-1/2"
Filler Strip:	<i>Optional</i> PET felt filler strip between beams
End Caps:	<i>Optional</i> PET felt caps if ends will be visible
Installation Method:	T-grid, direct attach
Finishes:	12 Essential colors 26 Luxe colors 10 wood grain textures

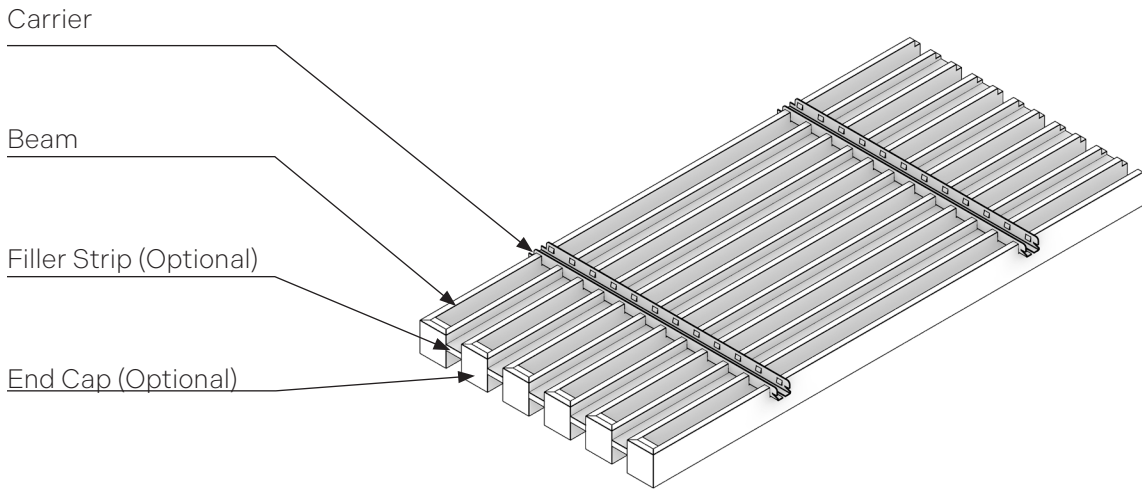
CUSTOM OPTIONS

Every Material Logiq system is designed to be adapted – modified in size, shape, finish, and configuration to fit your project, not the other way around.

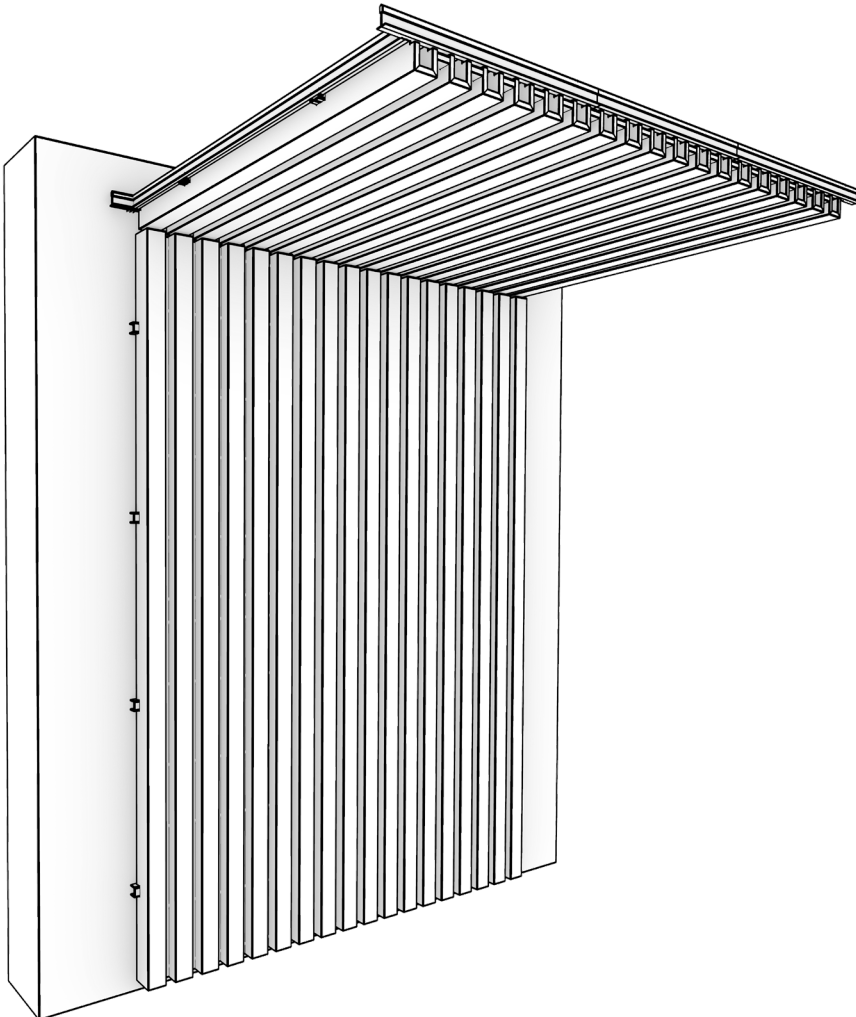
Panel Size:	Up to 48"W x 108"
Beam Height:	Min 2" – Max 8"
Beam Width:	Min 1.25" – Max 8"
Reveal:	Min 1" – Max 8"

DETAILS

Panel Components

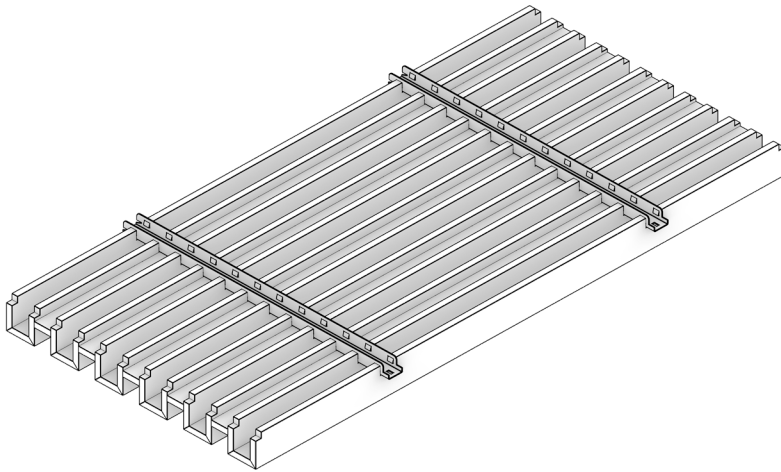


Typical Install



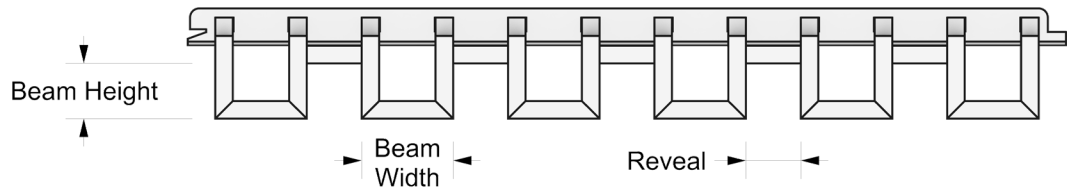
DIMENSIONS

Panel Size

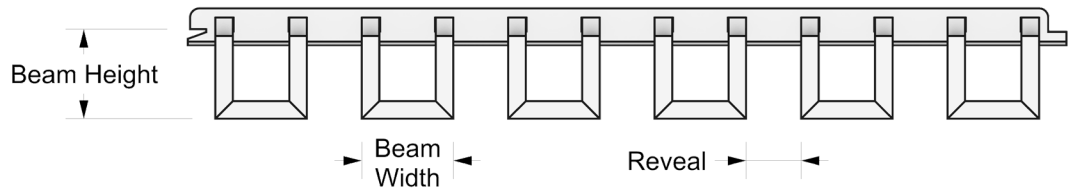


Beam Layout - Standard

With Filler Strip

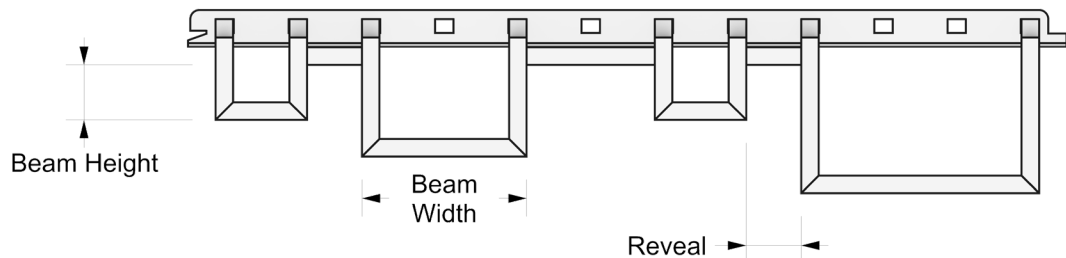


Without Filler Strip

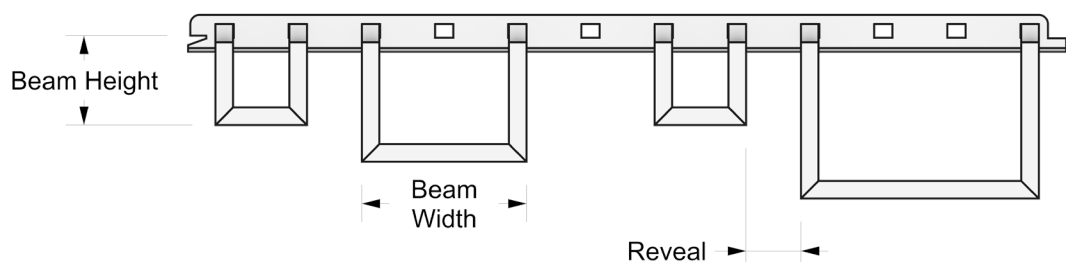


Beam Layout - Custom

With Filler Strip

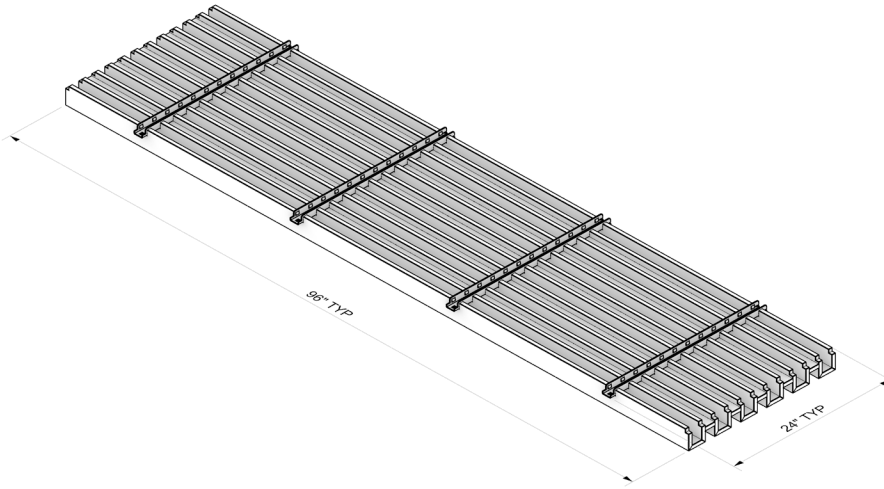


Without Filler Strip



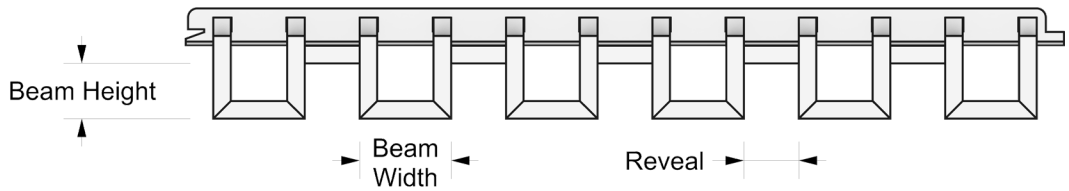
DIMENSIONS

Panel Size

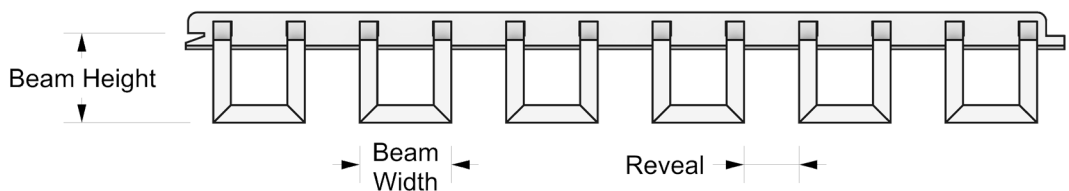


Beam Layout - Standard

With Filler Strip

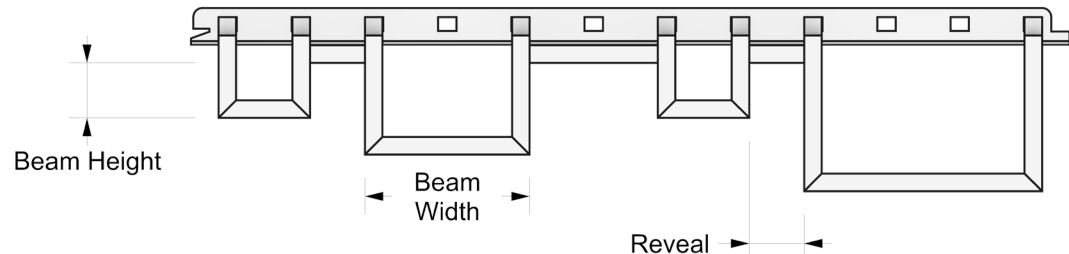


Without Filler Strip

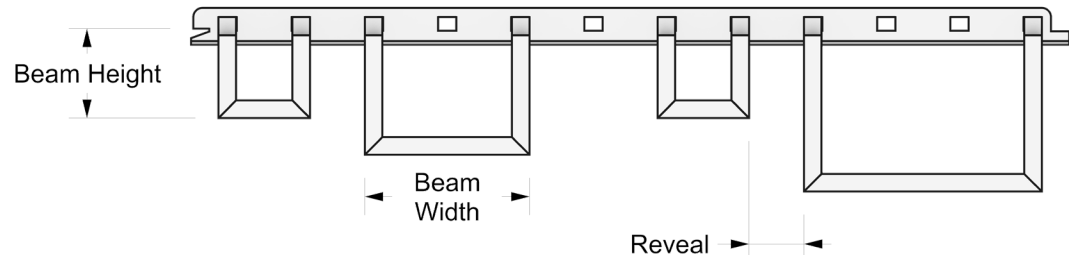


Beam Layout - Custom

With Filler Strip



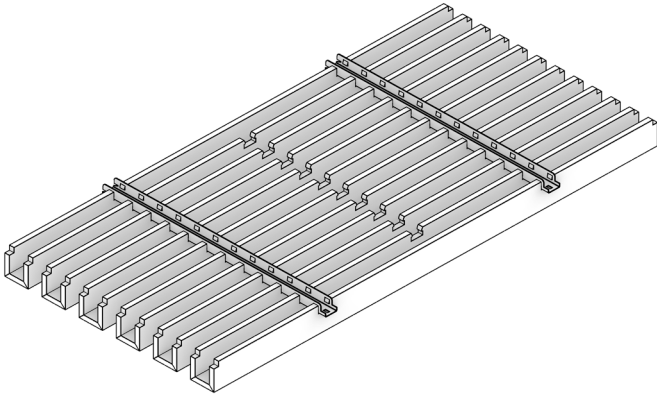
Without Filler Strip



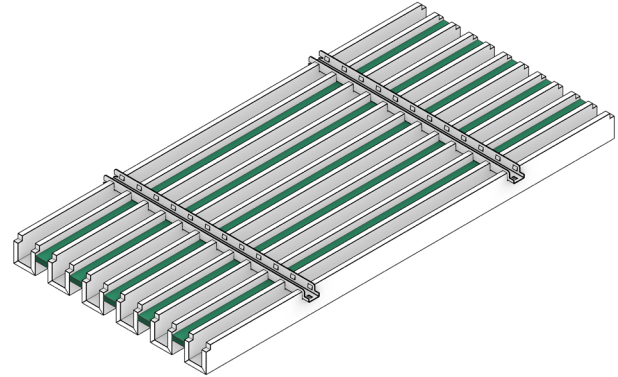
OPTIONS

Filler Strip

Note: Filler strip can be a different color or printed texture than the beams.



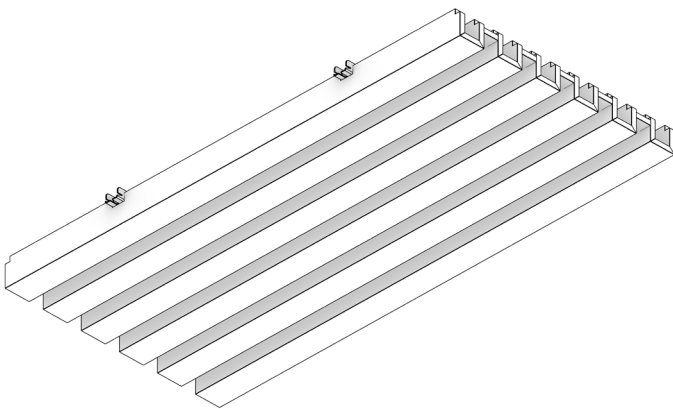
Without Filler Strip



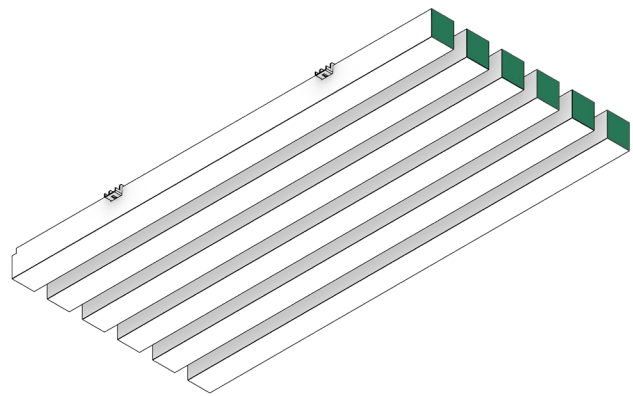
With Filler Strip

End Caps

Note: End caps available on one or both ends when panel ends will be visible.



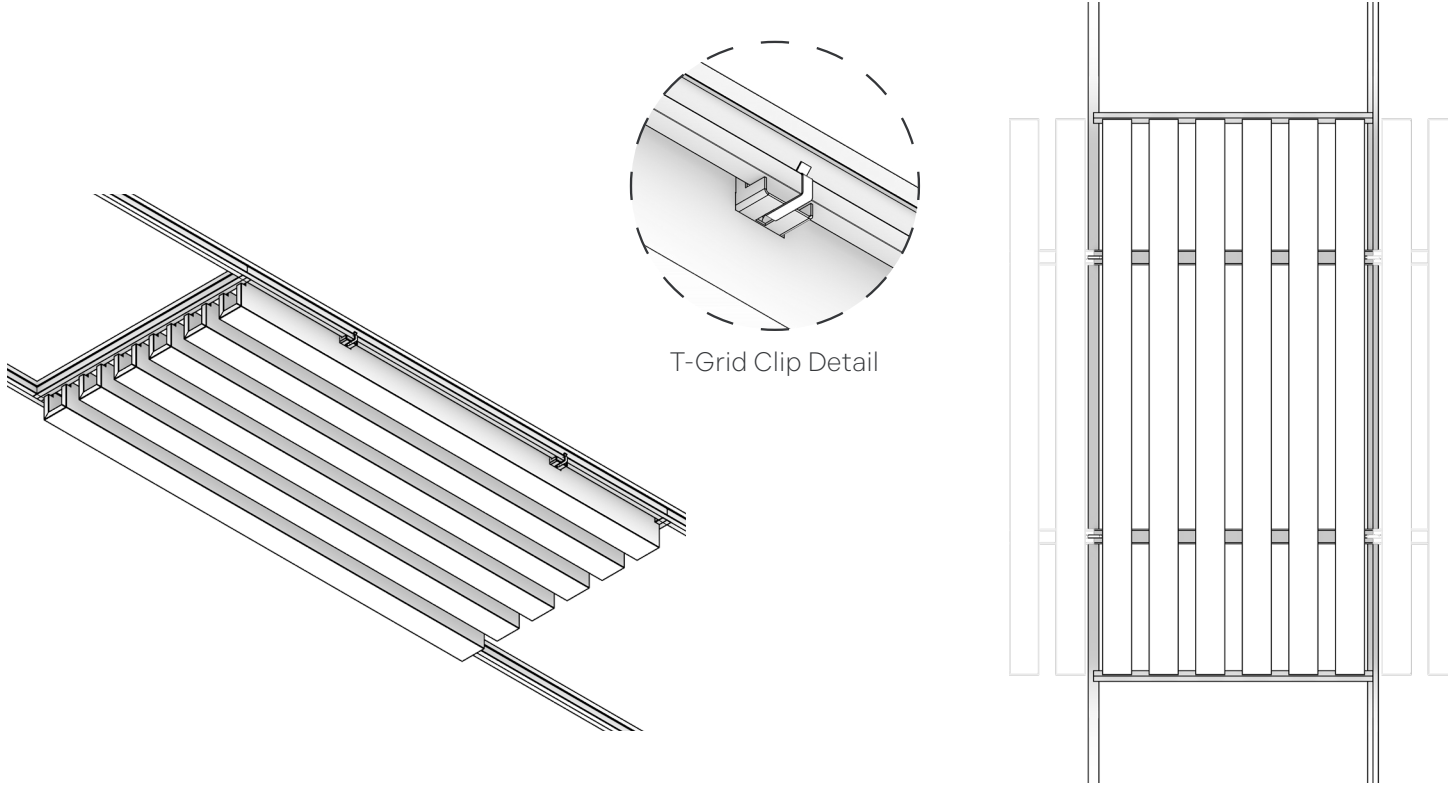
Without End Caps



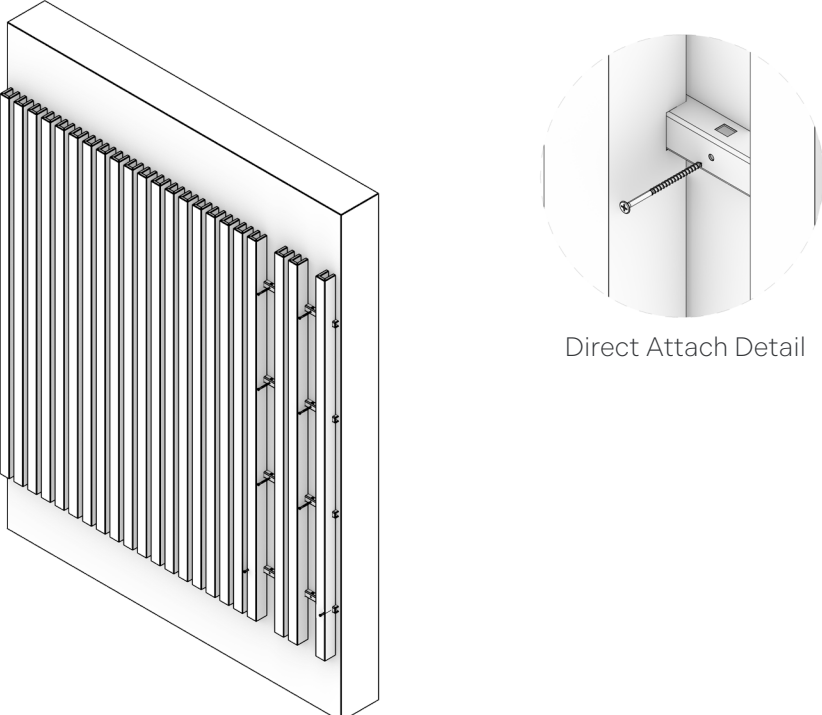
With End Caps

INSTALLATION METHOD

T-Grid



Direct Attach

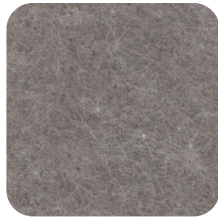


LUXE COLORS

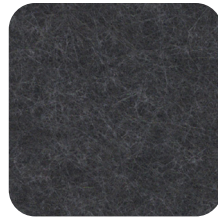
COLORS AND FINISHES



Quarry Stone



Taconite Gray



Gunflint



Morel



Driftless Stone



Sandpiper



Prairie Sand



Toasted Grain



Winter Sunrise



Iron Range



Cardinal



Golfinch



Marigold



Superior Fog



Sea Glass



Belize



Deep Lake



Boundary Waters



Wild Lavender



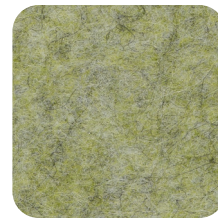
Cornflower



Mint Mist



Spring Bud



Lichen



Evergreen



Spruce Shadow



Northern Night

Due to color variance in monitor and print settings, please verify PET felt color by requesting a material sample.

ESSENTIAL COLORS

COLORS AND FINISHES



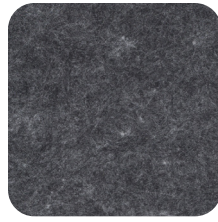
White



Silver



Smoke



Gray



Black



Beige



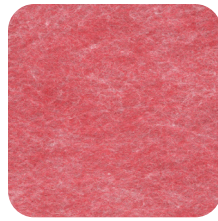
Tan



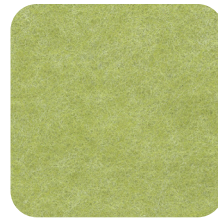
Brown



Orange



Red



Lime



Blue



Purple

Due to color variance in monitor and print settings, please verify PET felt color by requesting a material sample.

WOOD GRAIN TEXTURES

COLORS AND FINISHES



Ash



Black Walnut



Charred Ash



Cherry



Maple



Peeled Birch



Red Oak



Rough Oak



Teak



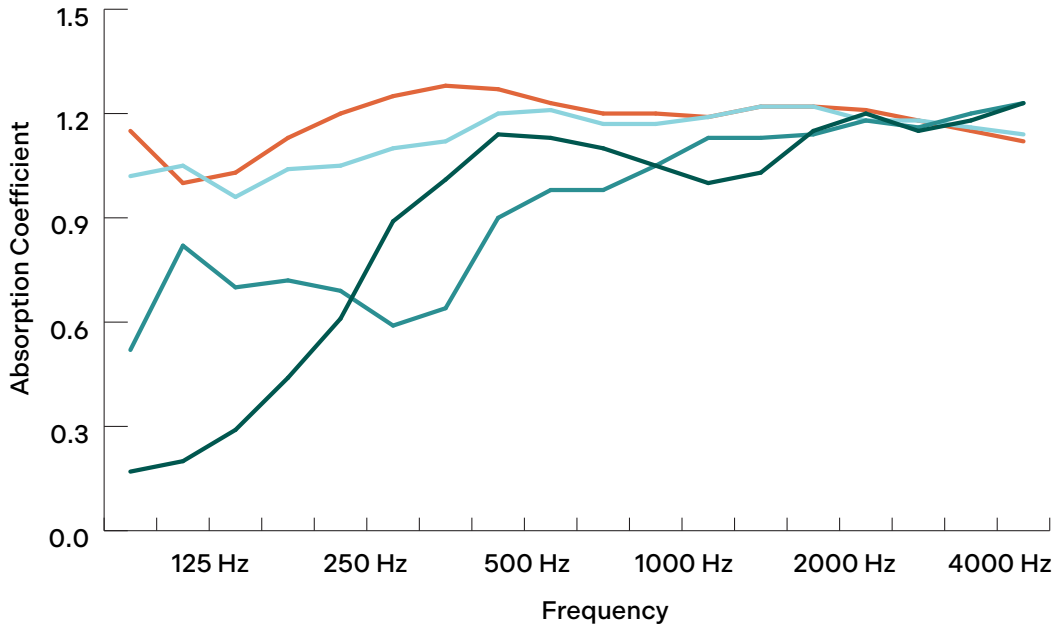
White Oak

Due to color variance in monitor and print settings, please verify PET felt color by requesting a material sample.

PERFORMANCE DATA

GRILLA

ACOUSTIC PERFORMANCE



Product	Mounting	Backer	250 Hz	500 Hz	1000 Hz	2000 Hz	NRC
GRILLA	Direct	None	0.61	1.14	1.05	1.15	1.00
GRILLA	Grid	None	0.69	0.90	1.05	1.14	0.95
GRILLA	Grid	1"	1.05	1.20	1.17	1.22	1.15
GRILLA	Grid	2"	1.20	1.27	1.20	1.22	1.20

ADDITIONAL TESTING

Fire Rating: Class A per ASTM E84

Light Reflectance: 87 (White)

Fungi Resistance: High - Passes ASTM C1338

CERTIFICATIONS

