



BEAM

PET FELT CEILING SYSTEM

BEAM

PET FELT CEILING SYSTEM

The building blocks of any unique space, these beautifully constructed PET felt Beams bring a modern look with minimal effort, and maximum acoustic performance.

- Pre-Engineered systems available for customized sizes and quick delivery
- Ships flat and assembles easily with minimal hardware
- Available in a wide variety of colors and wood grain prints
- 60% Post-Consumer Recycled Content
- NRC rating of up to 1.50

SPECS

Material Composition: 60% Post-Consumer Recycled PET Felt

Beam Thickness: 3", 4", 5", 6"; Custom thicknesses available

Beam Height: 6", 8", 10"; Custom heights available

Beam Length: 2' to 10'

Installation Method: Threaded Rod, Hanging Wire, T-Grid, Unistrut, Direct Attach

Fire Rating: Class A Fire Rated per ASTM E84

VOC Emissions: Passes CDPH Standard v1.2

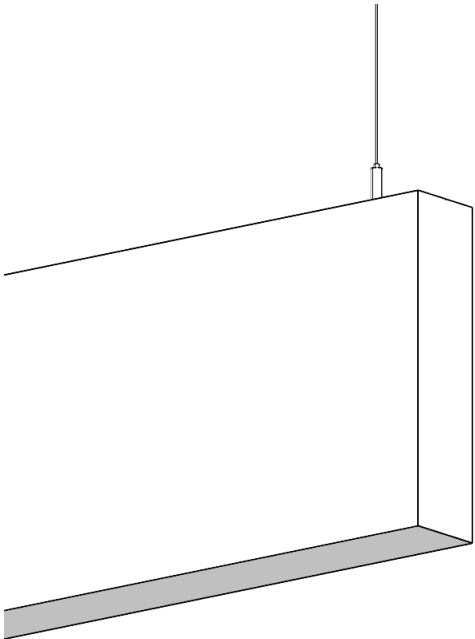
NRC Rating: 3" Wide Beam - 1.15, 6" Wide Beam - 1.50



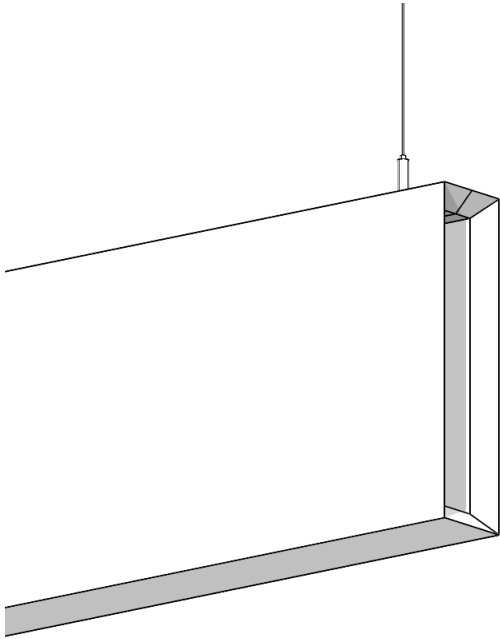
DETAILS

PET Felt Beam

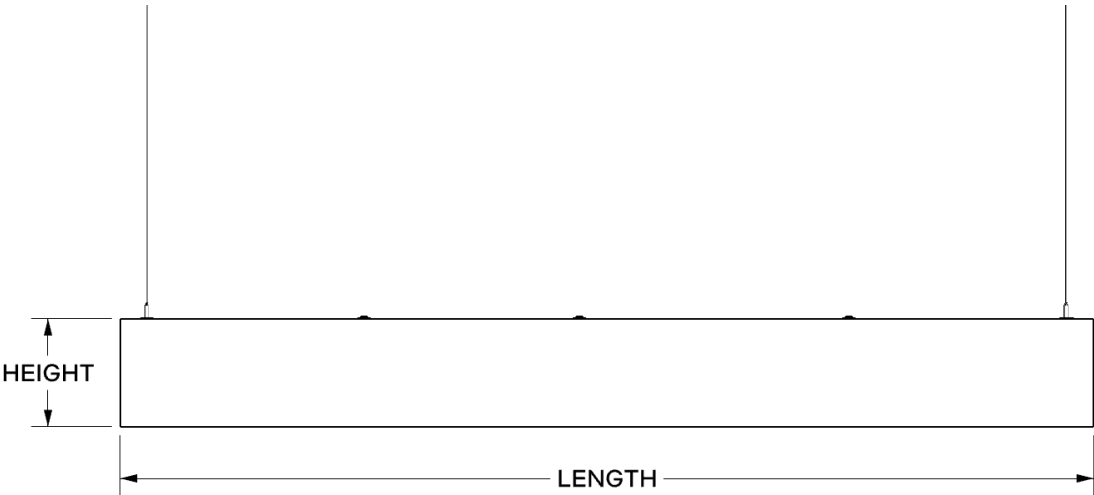
PET Felt Beams can be customized in thickness, height, and length to achieve the perfect size for your space. Shipped flat, PET Felt Beams easily assemble with hardware that can accommodate typical installation methods.



End Condition: Flush



End Condition: Recessed



Beam Dimensions



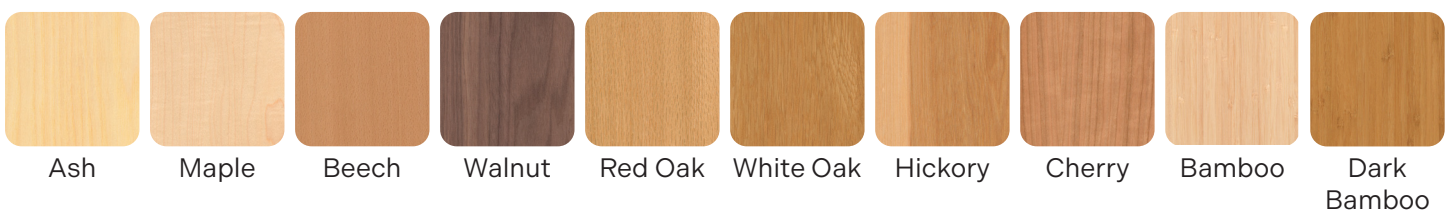
ESSENTIAL COLORS



LUXE COLORS



WOOD GRAIN TEXTURES



Due to variance in monitor and print settings, please verify PET felt color by requesting a material sample.