



# TRELL

MICROPERFORATED ALUMINUM

# TRELL

## MICROPERFORATED ALUMINUM

These ingenious triangular cells allow you to create a timeless, modern look with minimal effort, thanks to a modular two-piece assembly system. Achieve an open grid aesthetic with a stunning silk-like material that is lightweight, durable and highly rated for noise reduction.

- Available in multiple colors
- Large open area to easily integrate lighting, HVAC, and other ceiling fixtures
- Class-A Fire rated for peace of mind
- NRC rating of 0.80 without the need for an additional acoustic infill

## SPECS

Material Composition: Aluminum with micro perforations

Cell Shape: Triangular

Cell Size (On Center): Triangular Side Length 12", 24", 48", Custom up to 72"

Height: 4" to 12"

Installation Method: Threaded Rod, Hanging Wire

NRC Rating: 0.80

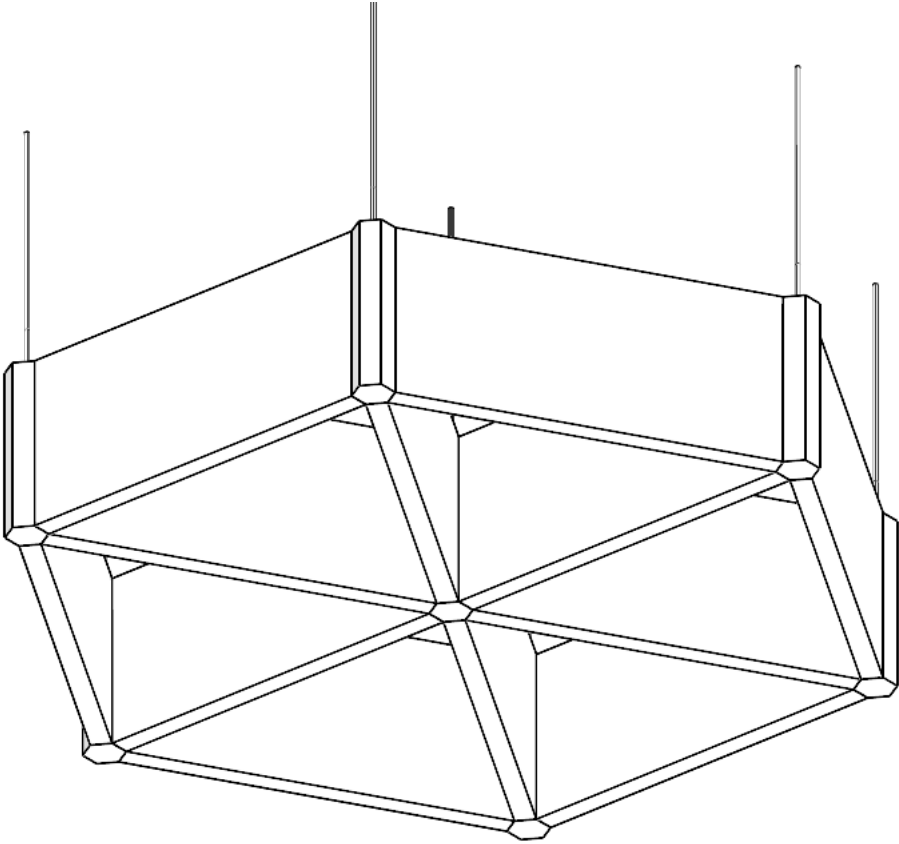
Fire Rating: Class A Fire Rated per ASTM E84



# SCALE

## Microperforated Aluminum Trell

Trell is available in a variety of cell sizes and heights to meet the needs of any space



Triangle Side Length: 12", 24", 36"





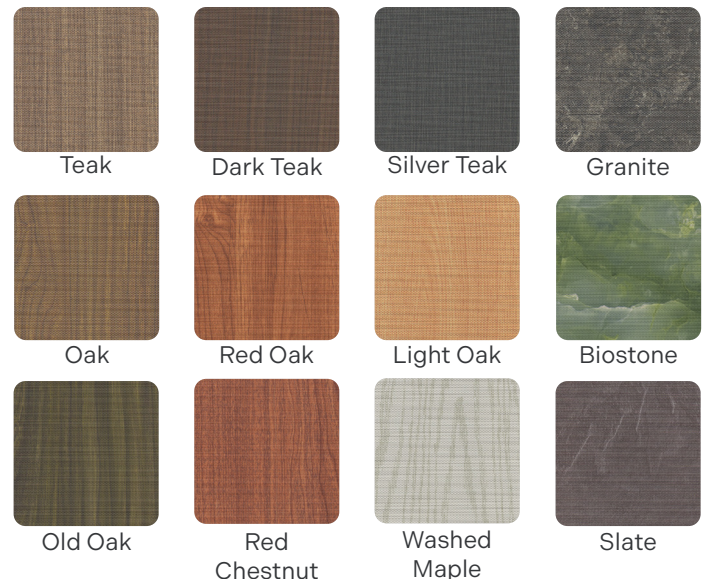
# FINISH

Enhance your design with a spectrum of powder-coated colors, printed wood grain, or printed stone textures.

## Powder-Coated Colors



## Printed Textures



# PERFORMANCE

These panels offer a silk-like aesthetic and achieve excellent acoustical performance. What sets our material apart is our patented angled micro-perforation technique, a departure from conventional 90° perforation methods. These micro-perforations are meticulously designed to optimize surface performance, absorbing sound and electromagnetic waves while effectively mitigating heat. Bring elegance, functionality, and innovation to your spaces with Material Logiq microperforated aluminum.

