



# GRILLE

MICROPERFORATED ALUMINUM

# GRILLE

## MICROPERFORATED ALUMINUM

We've taken the traditional concept of a linear grille ceiling and elevated it with a modern material. Made from microperforated aluminum, this sleek grille ceiling achieves exceptional acoustic performance without the need for an additional acoustic backer. Acoustics and aesthetics, the best of both worlds.

- Available in multiple colors
- Mix and match slat heights for multiple expressions
- Class-A Fire rated for peace of mind
- NRC rating of up to 1.15

## SPECS

Material Composition: Aluminum with micro perforations

Slat Width: Nominal 1-5/8" (Exact 1.65")

Slat Height: Nominal 1", 1-1/4", 1-1/2" (Exact 1.06", 1.26", 1.57")

Slat O.C. Spacing: Nominal 2", 2-3/8", 3", 4" (Exact 1.97", 2.36", 2.95", 3.94")

Panel Size: Nominal 2' x 8', custom available

Installation Method: Threaded rod, aircraft cable

NRC Rating: Wall panel with 1" acoustic backer - 0.85, ceiling panel with no acoustic backer - 0.55, ceiling panel with 1" acoustic backer - 1.00, ceiling panel with 2" acoustic backer - 1.15

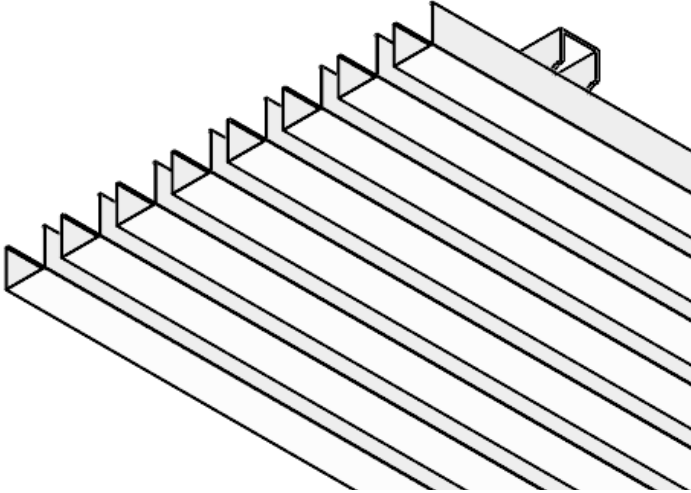
Fire Rating: Class A fire rated per ASTM E84



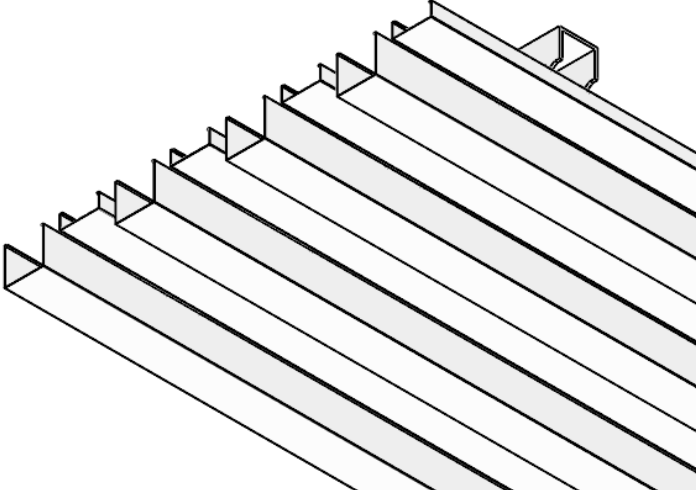
# DIMENSIONS

## Microperforated Aluminum Grille

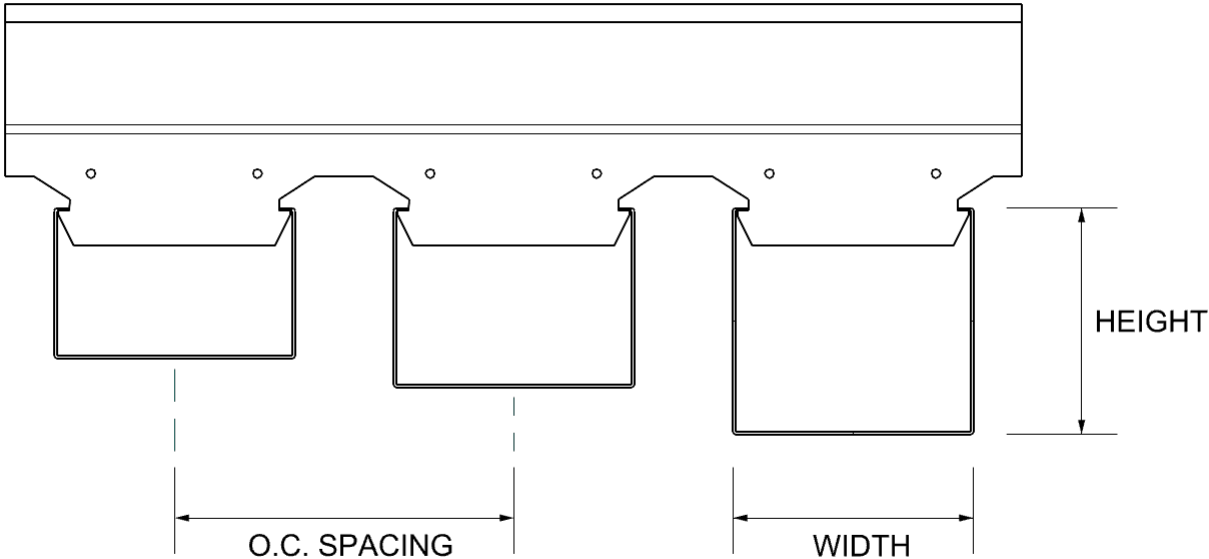
Available in a variety of slat sizes and spacings, along with flat or hybrid arrangement, to meet the performance and design needs of any project.



Flat



Hybrid



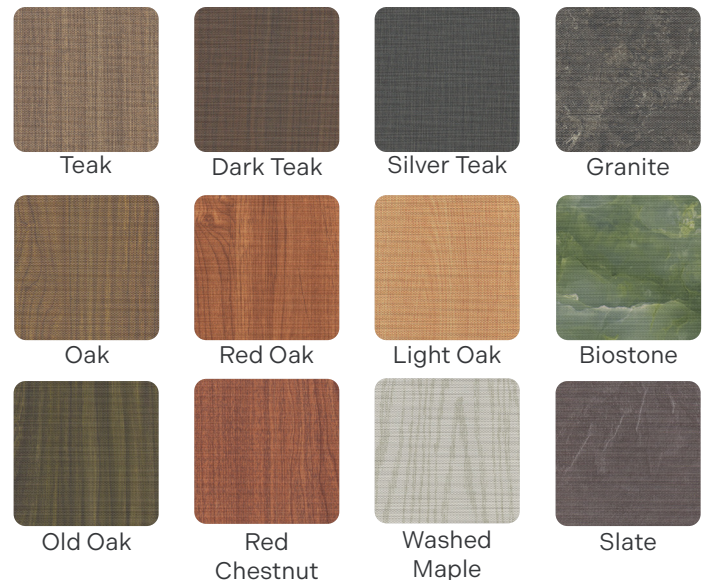
# FINISH

Enhance your design with a spectrum of powder-coated colors, printed wood grain, or printed stone textures.

## Powder-Coated Colors



## Printed Textures



# PERFORMANCE

These panels offer a silk-like aesthetic and achieve excellent acoustical performance. What sets our material apart is our patented angled micro-perforation technique, a departure from conventional 90° perforation methods. These micro-perforations are meticulously designed to optimize surface performance, absorbing sound and electromagnetic waves while effectively mitigating heat. Bring elegance, functionality, and innovation to your spaces with Material Logiq microperforated aluminum.

