



GRILLA

PET FELT PANEL

GRILLA

PET FELT PANEL

If you've ever found flat ceiling tiles uninspiring, prepare to be captivated by Grilla, which adds dimension and direction to your space. This linear panel system is not only effortless to install within conventional grid systems but is deliberately engineered to defy convention and ignite your creative spark.

- Pre-Engineered systems available for quick delivery
- Available in a wide variety of colors
- 60% Post-Consumer Recycled Content
- NRC rating of up to 1.20

SPECS

Rail Composition: 60% Post-Consumer Recycled PET Felt

Carrier Composition: Powder Coated Black Steel; Custom finishes available

Size: 2' x 2', 2' x 4', 2' x 6', 2' x 8'; Custom sizes available

Rail Height: 2", 3", 4"; Custom heights available

Rail Width: 2.5", 4.5", 6.5"; Custom widths available

Rail Spacing: 1-1/2"; Custom spacing available

Installation Method: T-Grid, Direct Attach, Threaded Rod

Fire Rating: Class A Fire Rated per ASTM E84

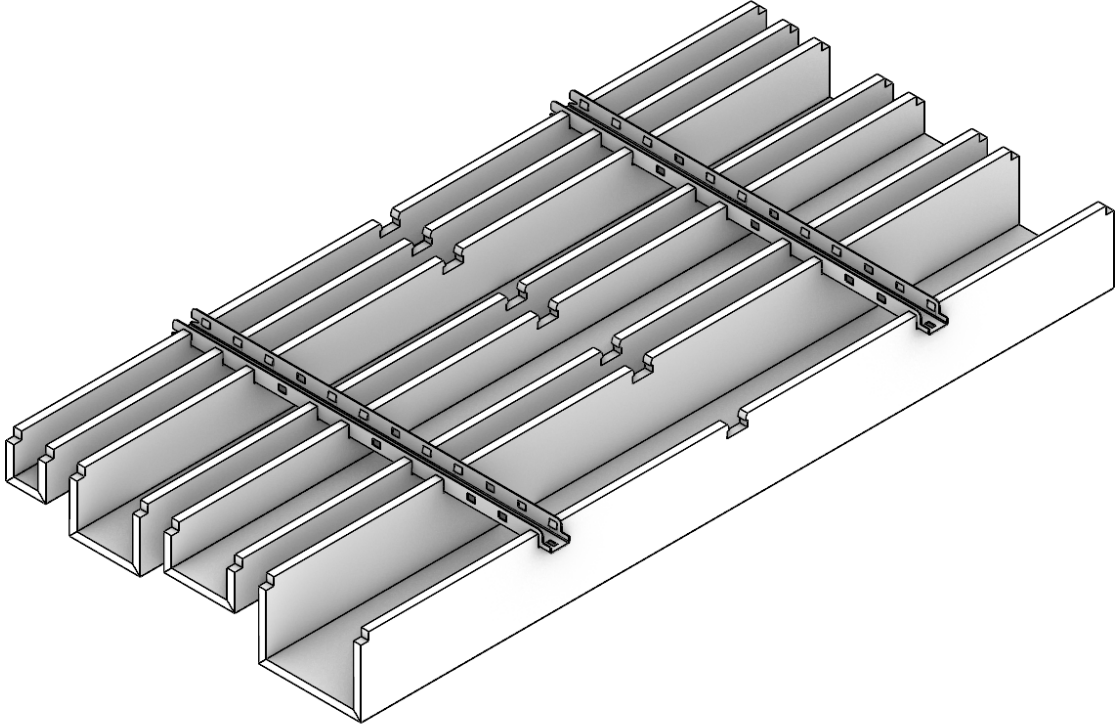
VOC Emissions: Passes CDPH Standard v1.2



DETAILS

GRILLA

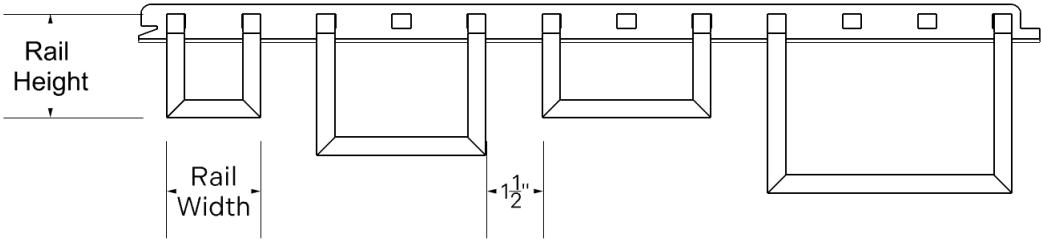
Mix and match different colors or rail sizes to create a linear ceiling unique to your project.



Grilla Panel Top View

Rail Height
2"
3"
4"
Custom

Rail Width
2-1/2"
4-1/2"
6-1/2"
Custom



Grilla Dimensions

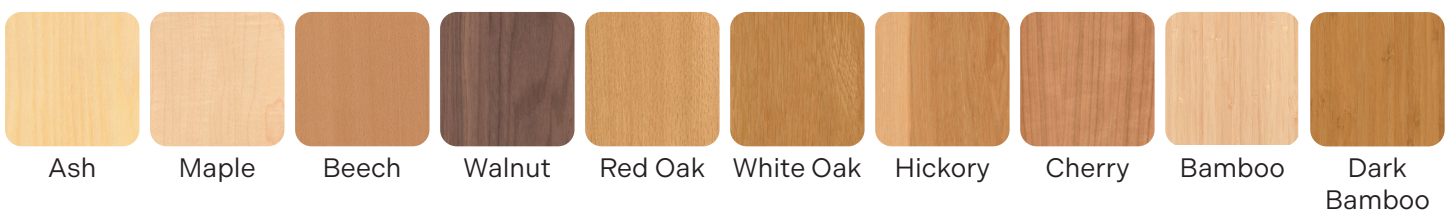
ESSENTIAL COLORS



LUXE COLORS



WOOD GRAIN TEXTURES



Due to variance in monitor and print settings, please verify PET felt color by requesting a material sample.