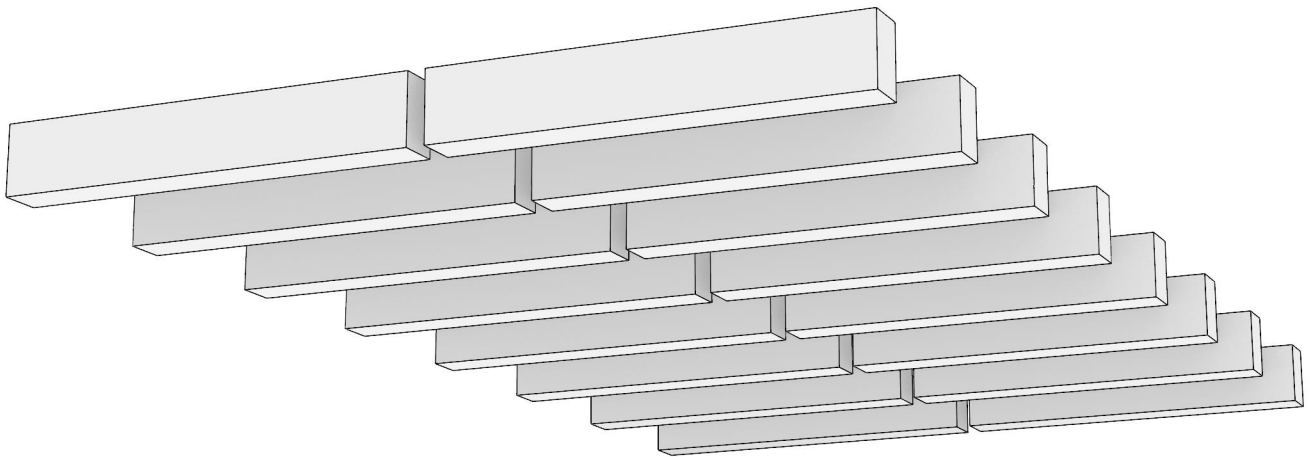




MATERIAL LOGIQ



INSTALLATION INSTRUCTIONS: **BEAM**

INSTALLATION METHOD: **1/4 - 20 HANGER**

Overview // Parts and Hardware

ATTENTION: If you have additional questions after reviewal of this manual please contact your local MATERIAL LOGIQ representative or a MATERIAL LOGIQ professional at our headquarters (800)220-8412

MATERIAL LOGIQ MANUFACTURES PRODUCTS THAT MUST BE HANDLED WITH CARE. PRODUCTS SHOULD ONLY BE INSTALLED BY EXPERIENCED INSTALLERS.

RECEIVING

Prior to unpacking, check package for any obvious shipping damage. If no evidence of damage is present, move package to a dry/controlled area and inspect it for dents, breakage, or any lesser-noticable damage that may affect enclosed panels. If damage has been identified, record it/photograph it, and open to inspect for concealed damage. If damage was transferred to the product, document/photograph the issues.

SPECIAL HANDLING INSTRUCTIONS

When handling product, care must be taken to not damage the faces. Handle all edges with care. To avoid damage, do not twist or bow product during installation

PRIOR TO INSTALLATION

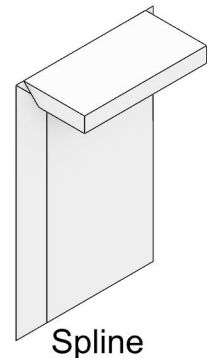
Beam is installed using various 1/4-20 hardware solutions. Determine assembly location on ceiling and mark hanging locations. MATERIAL LOGIQ recommends measuring each hanger location and transferring measurements to ceiling in advance.

Assemble Beam as illustrated and suspend using appropriate hardware.

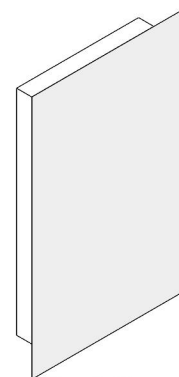
INCLUDED COMPONENTS:



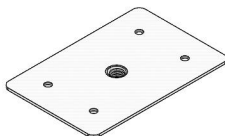
Beam



Spline



End Cap



Hanging Plate



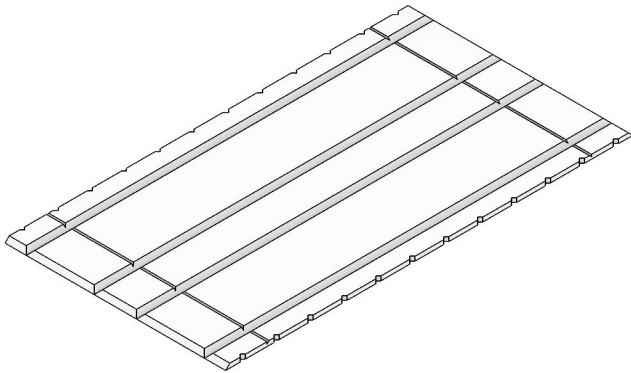
Spring



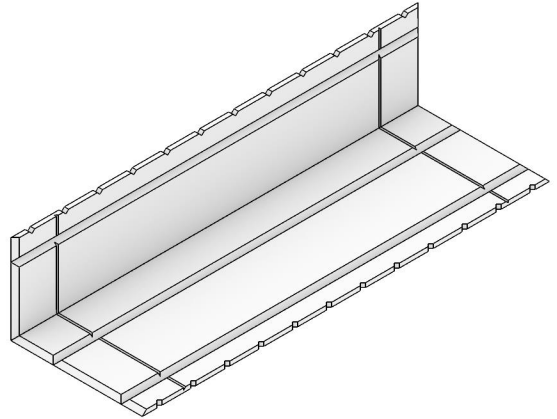
Hook

Assembly

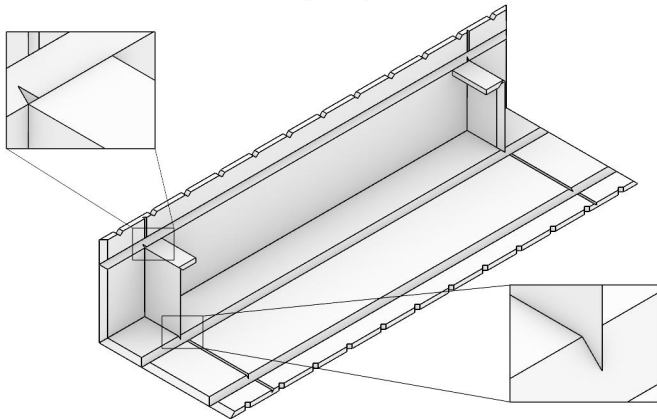
- 1 Place unfolded Beam on a flat surface with the grooves facing upward



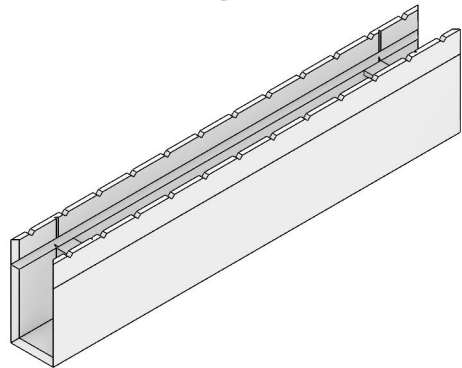
- 2 Fold one half of the Beam as shown



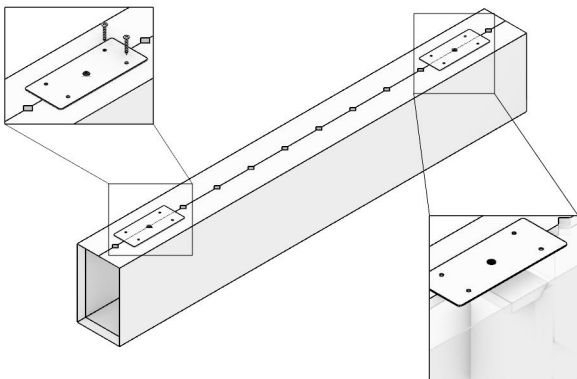
- 3 Insert Splines, ensuring they are fully seated and the top flap is flush



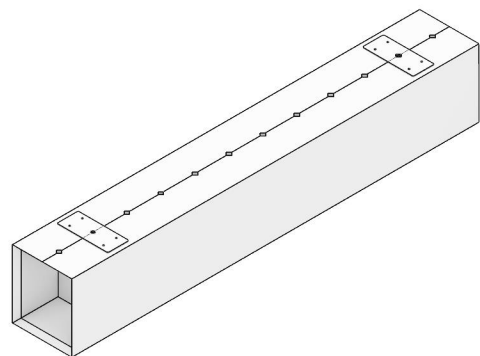
- 4 Fold the opposite side, ensuring splines stay seated in the groove



- 5 Fold both top flaps down. Locate Hanging Plate above the Spline and drive screws in

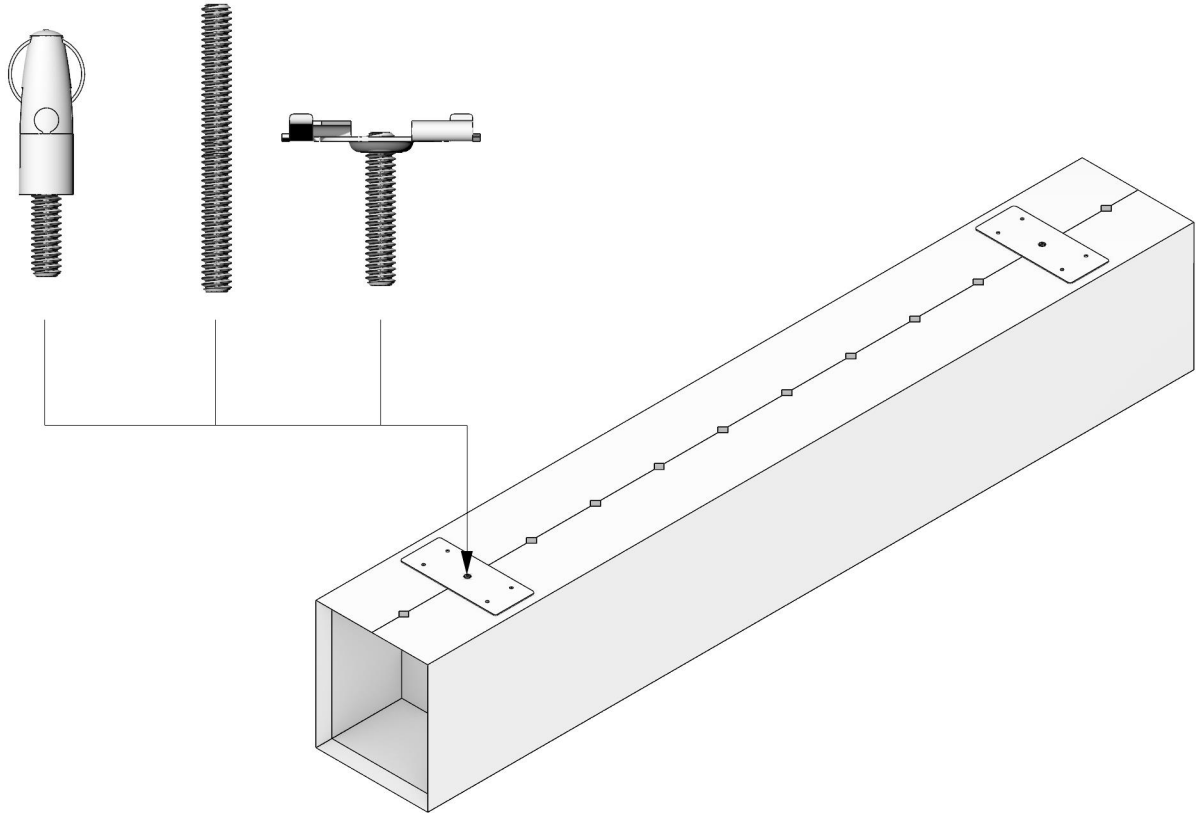


- A For wide beams (over 5"), The plate should be rotated 90°

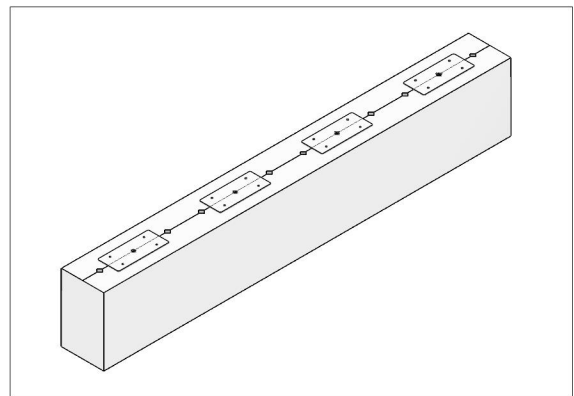
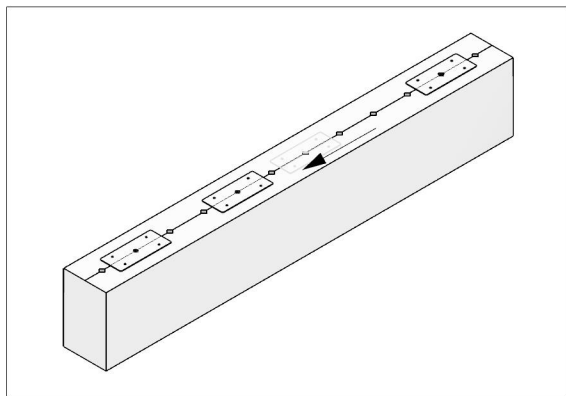


Hanging

- 1 Install 1/4-20 Hanging Hardware into plates at the desired locations. Attach beam to ceiling or other framing using appropriate hardware (By other)

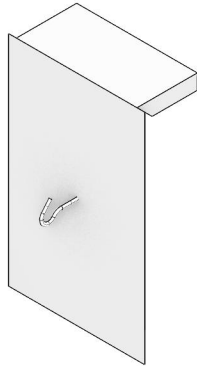


- 5 Plates can be moved or added to accommodate existing fixtures (HVAC, sprinklers, lighting, etc.)

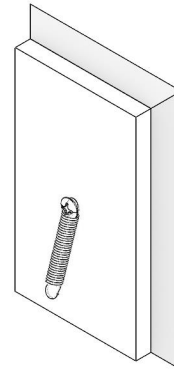


Assembly - End Caps

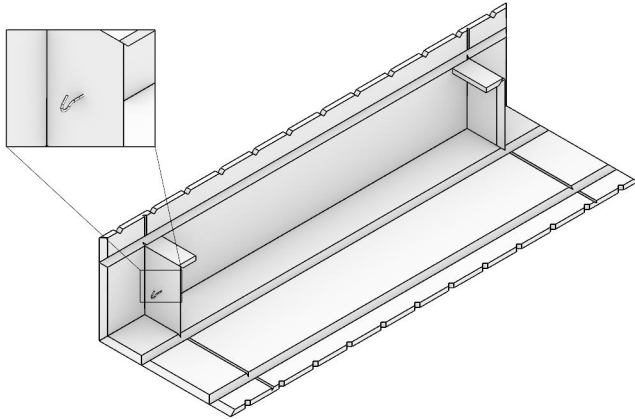
- 1 Before assembly, attach screw hooks to required splines, roughly centered. One for each cap.



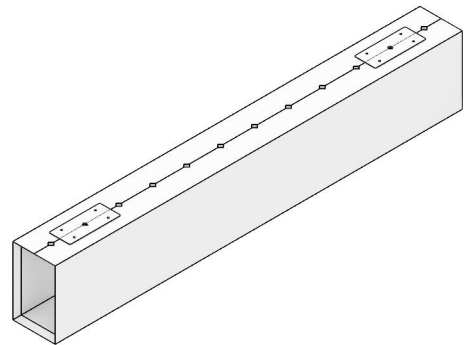
- 2 Attach springs, roughly centered, to end caps using included screws



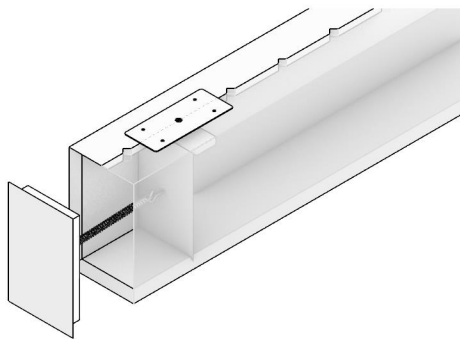
- 3 Assemble normally. End caps are located on the beveled ends of a beam.



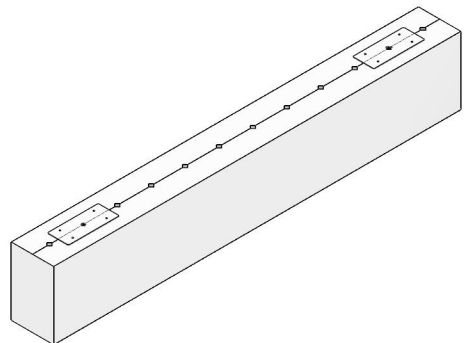
- 4 Complete assembly. (Sheet 3, steps 4&5)



- 5 Connect the Cap spring to the hook

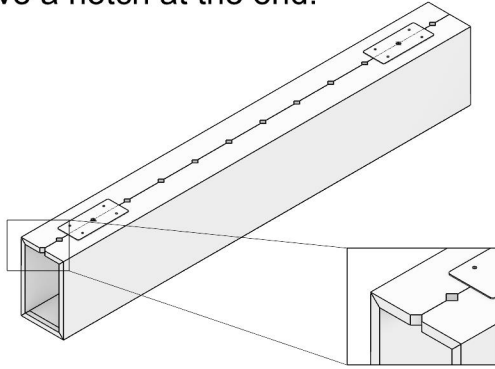


- 6 Allow Cap to fall in place. Adjust to ensure mating edges are square and flush

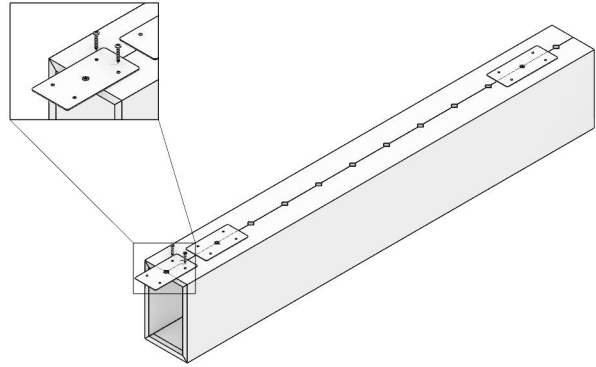


Assembly - Linking

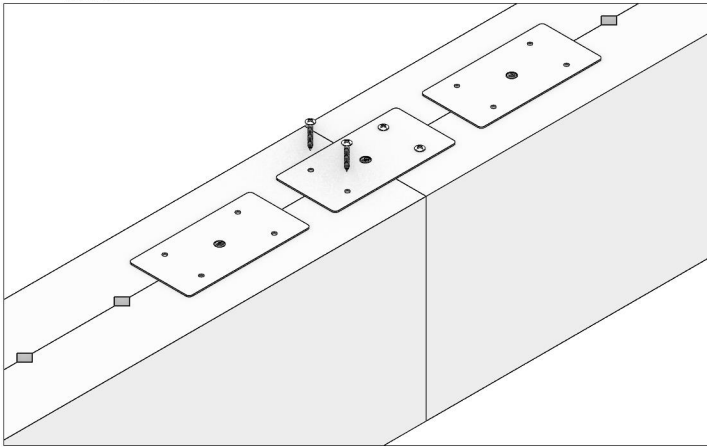
- 1 Determine where beams need to be linked. Linking locations are NOT beveled and have a notch at the end.



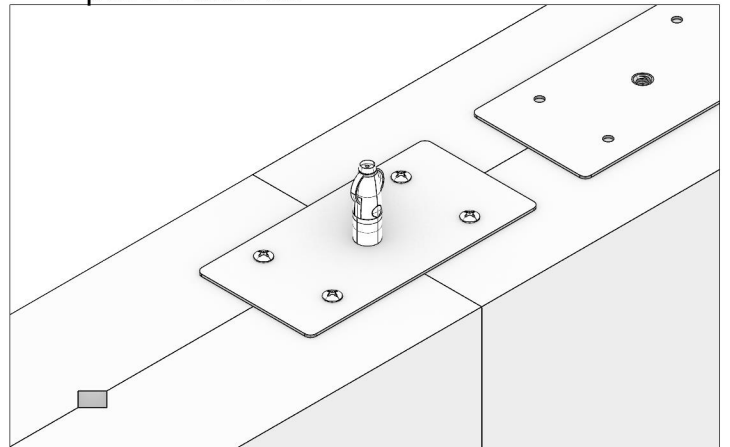
- 2 Align the linking plate with the notch. Attach with screws.



- 3 Align beams. Attach plate to adjoining beam.



- A The new plate can be used as a pick point if desired



- B **CAUTION:** When hoisting linked beams, avoid bending the assembly

