



BEAM

PET FELT CEILING SYSTEM

BEAM

PET FELT CEILING SYSTEM

The building blocks of any unique space, these beautifully constructed PET felt Beams bring a modern look with minimal effort, and maximum acoustic performance.

- Pre-Engineered systems available for customized sizes and quick delivery
- Ships flat and assembles easily with minimal hardware
- Available in a wide variety of colors and wood grain prints
- 60% Post-Consumer Recycled Content

SPECS

Material Composition: 60% Post-Consumer Recycled PET Felt

Beam Thickness: 3", 4", 5", 6"; Custom thicknesses available

Beam Height: 6", 8", 10"; Custom heights available

Beam Length: 2' to 10'

Installation Method: Threaded Rod, Hanging Wire, T-Grid, Unistrut, Direct Attach

Fire Rating: Class A Fire Rated per ASTM E84

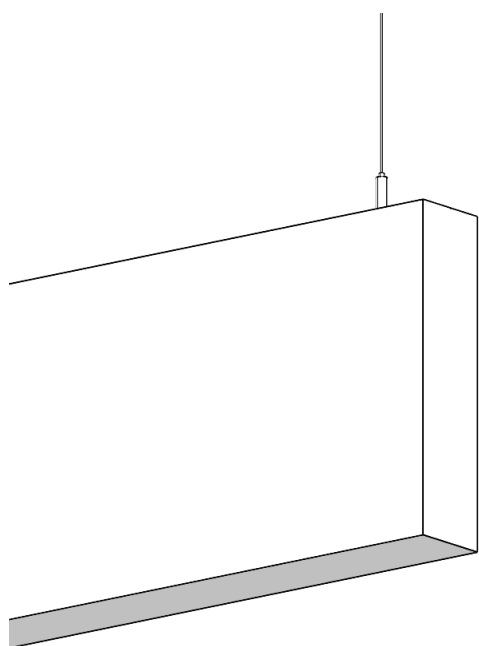
VOC Emissions: Passes CDPH Standard v1.2



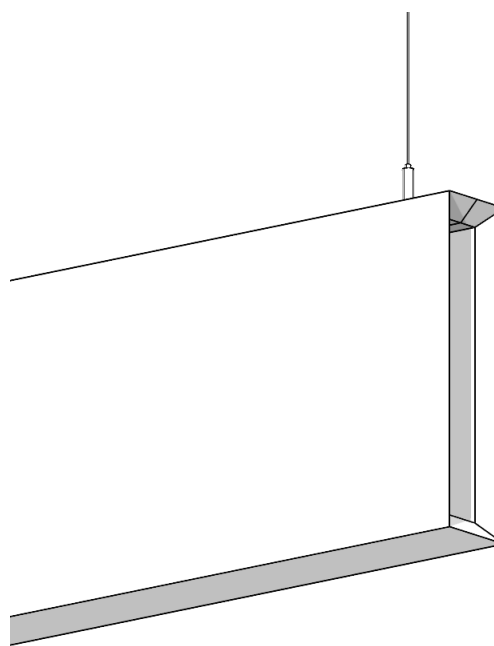
DETAILS

PET Felt Beam

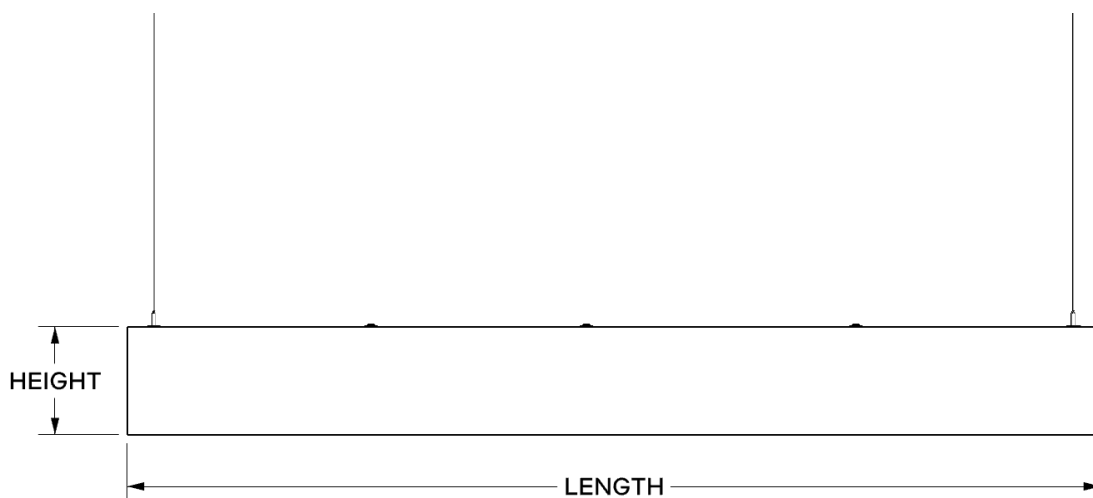
PET Felt Beams can be customized in thickness, height, and length to achieve the perfect size for your space. Shipped flat, PET Felt Beams easily assemble with hardware that can accommodate typical installation methods.



End Condition: Flush



End Condition: Recessed



Beam Dimensions



COLORS

Decorative and tackable, available in a variety of colors or printed with wood grain or custom graphics to blend into any decor.

Class A Fire Rated Colors



Non-Fire Rated Colors



Printed Wood Grain



PERFORMANCE

Material Logiq PET Felt is non-allergenic, non-toxic, fungal-resistant, and do not contain chemical irritants or formaldehyde. Acoustic panel material: 100% polyester (60% PET-recycled fiber, 40% PET-virgin fiber). Our PET Felt passes the CDPH V1.2 test standard for low VOC emissions and can contribute to LEED V4.1 EQ Credit: Low-Emitting Materials.

