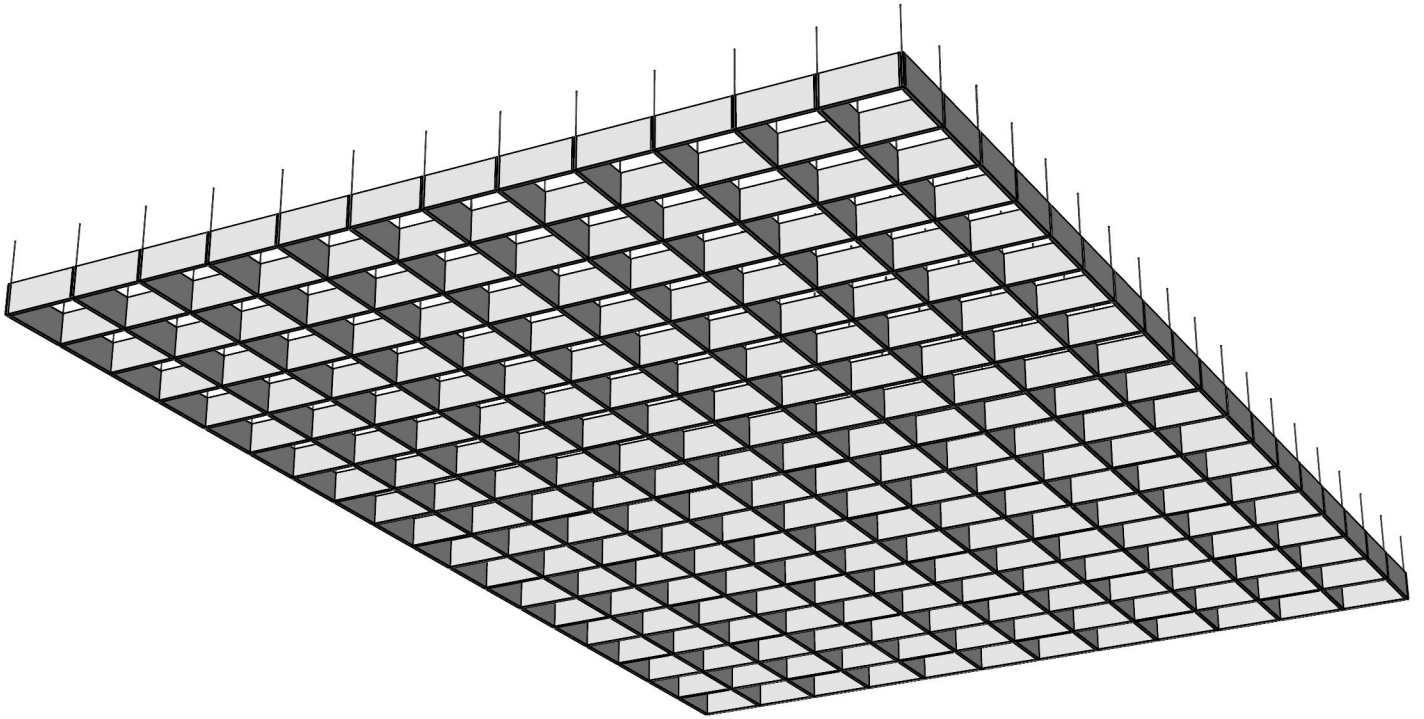




M A T E R I A L L O G I Q



INSTALLATION INSTRUCTIONS: **SQUELL**

INSTALLATION METHOD: **THREADED ROD**

Overview // Parts and Hardware

ATTENTION: If you have additional questions after reviewal of this manual please contact your local MATERIAL LOGIQ representative or a MATERIAL LOGIQ professional at our headquarters (800)220-8412

MATERIAL LOGIQ MANUFACTURES PRODUCTS THAT MUST BE HANDLED WITH CARE. PRODUCTS SHOULD ONLY BE INSTALLED BY EXPERIENCED INSTALLERS.

RECEIVING

Prior to unpacking, check package for any obvious shipping damage. If no evidence of damage is present, move package to a dry/controlled area and inspect it for dents, breakage, or any lesser-noticable damage that may affect enclosed panels. If damage has been identified, record it/photograph it, and open to inspect for concealed damage. If damage was transferred to the product, document/photograph the issues.

SPECIAL HANDLING INSTRUCTIONS

When handling product, care must be taken to not damage the faces. Handle all edges with care. To avoid damage, do not twist or bow product during installation

PRIOR TO INSTALLATION

Assemble connection/hanging brackets

Determine assembly location on ceiling and mark hanging locations. Cells can be attached to a frame or direct to ceiling. MATERIAL LOGIQ recommends measuring each hanger location and transferring measurements to ceiling in advance.

Assemble first module as illustrated and affix to ceiling, check for level.

Continue installing additional units as illustrated, ensuring hanger bracket is properly seated and units are level.

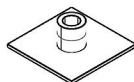
INCLUDED COMPONENTS:



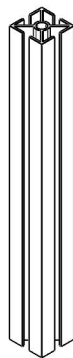
1/4"-20
NUT



WASHER



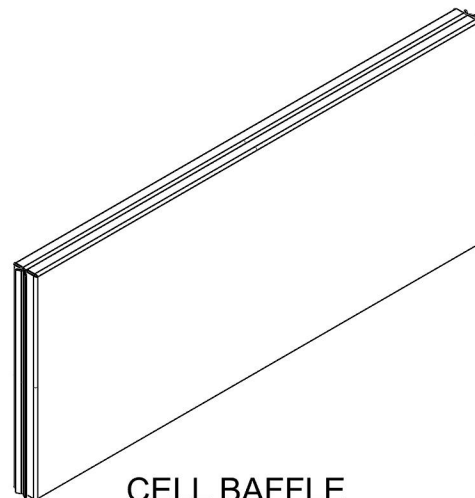
BASE
PLATE



CORNER
CONNECTOR



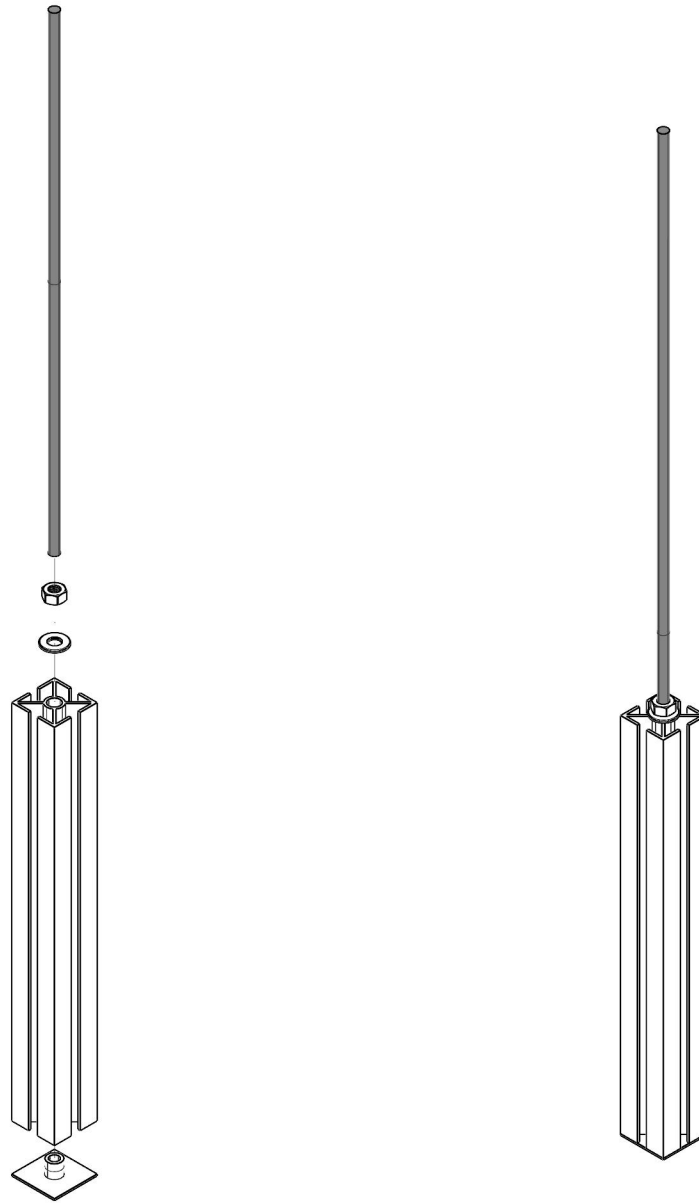
THREADED
ROD



CELL BAFFLE

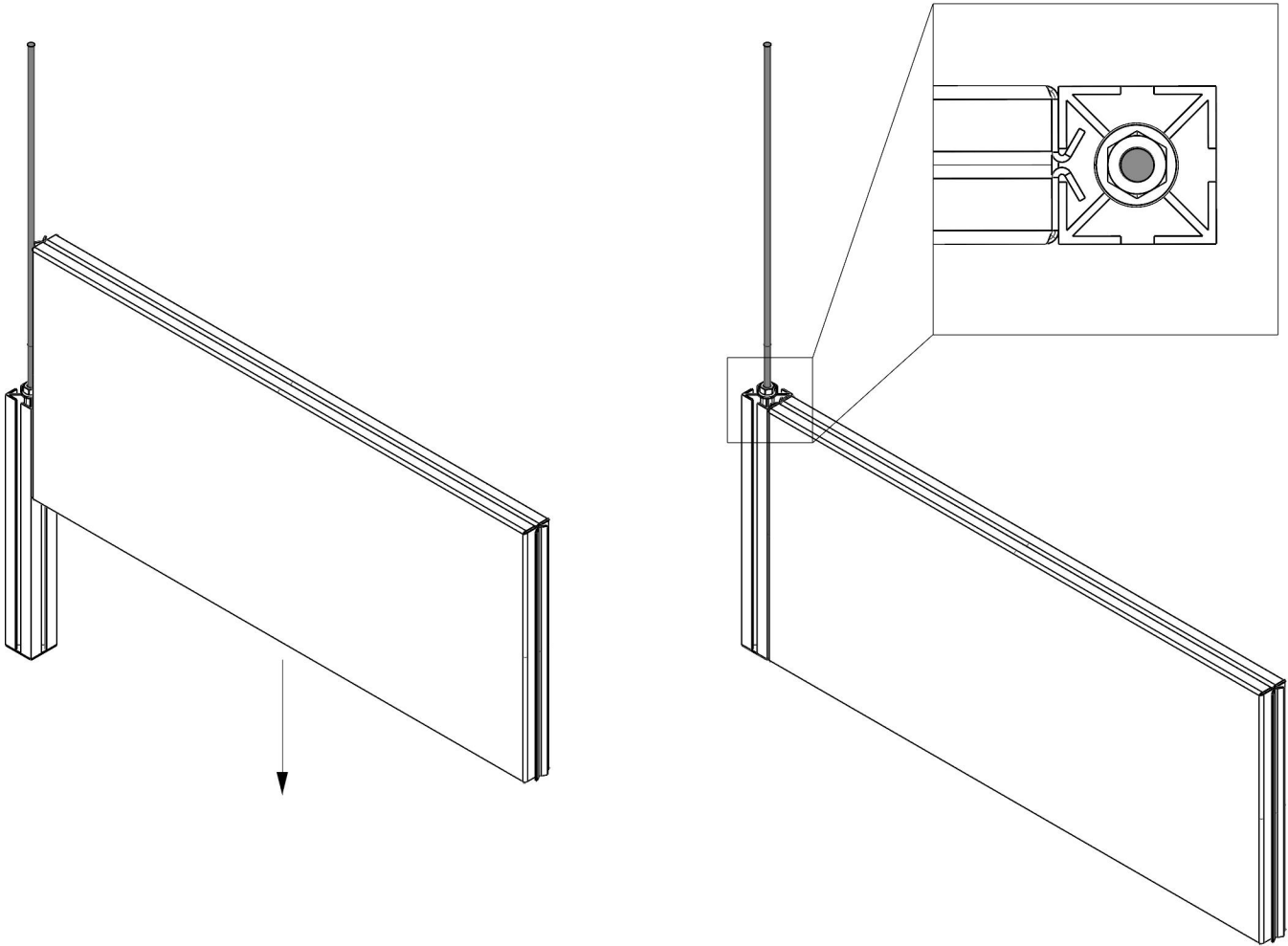
Corner Bracket Assembly

Slide threaded rod through connector and screw into base plate. Secure at top using a washer and 1/4"-20 nut.



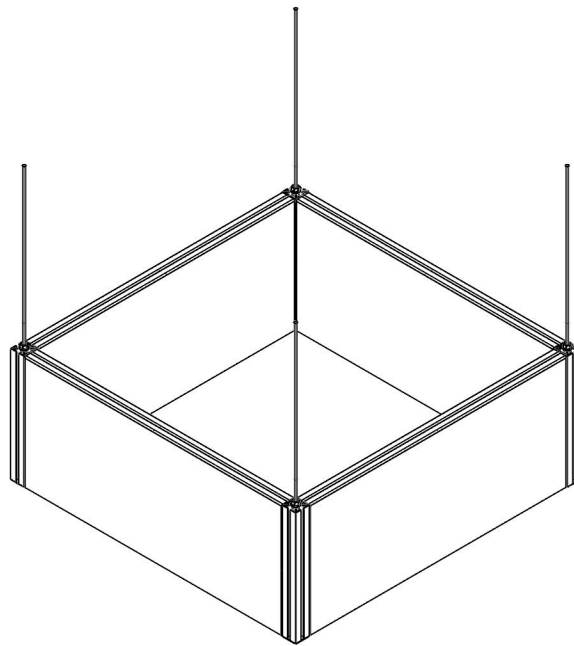
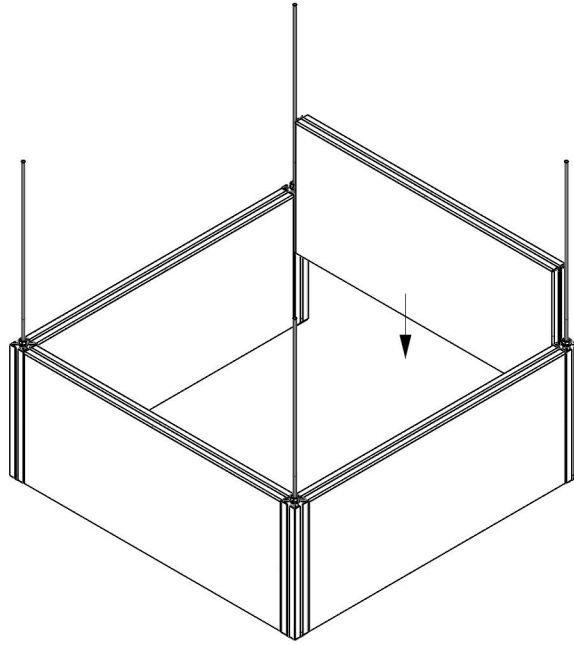
Baffle Assembly

Insert baffle, with seam facing upward, into corner connector ensuring tabs are properly seated.



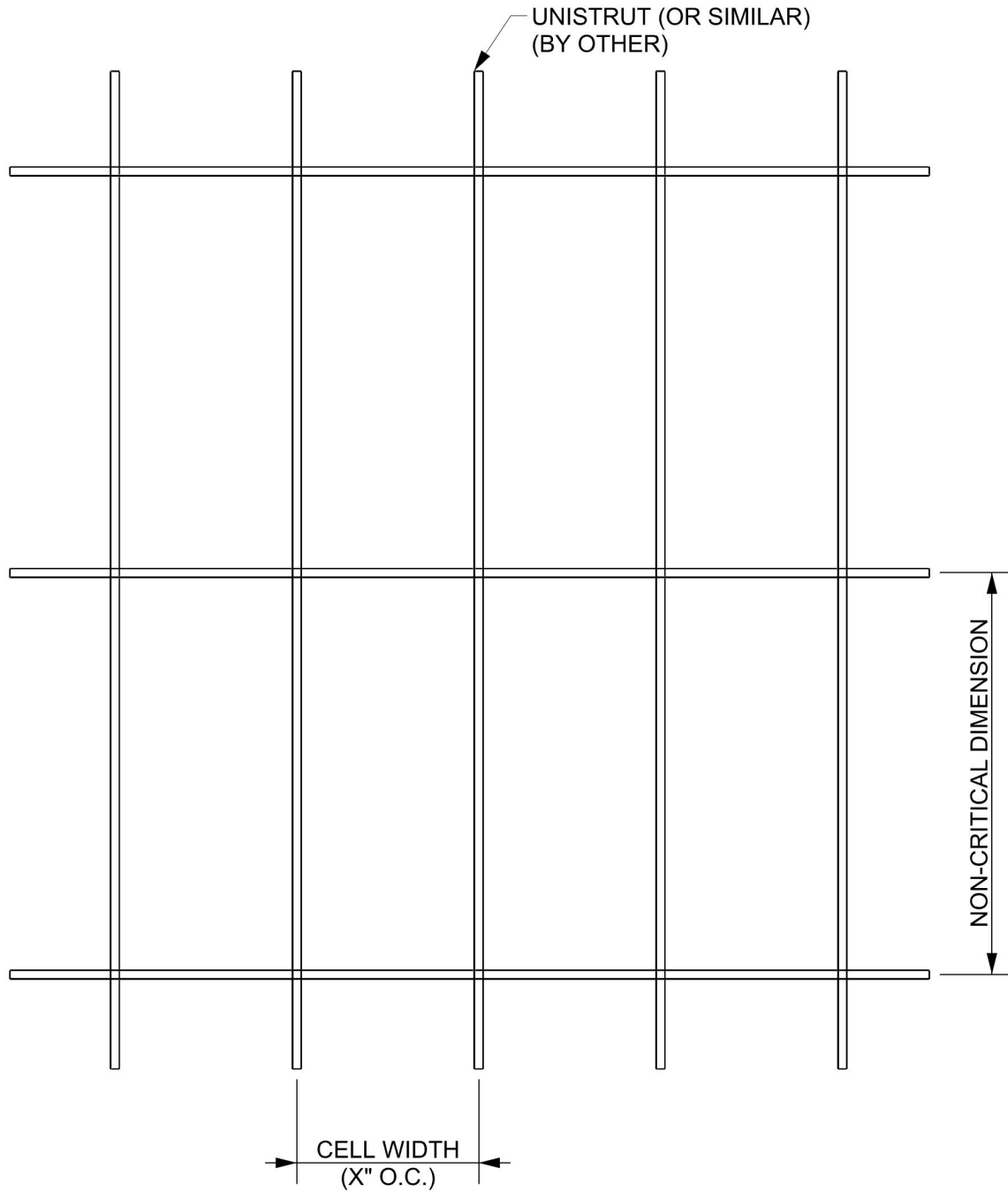
Cell Assembly

Repeating steps 1& 2, insert remaining baffles and connectors to complete a cell.



Suspension Specification & Layout

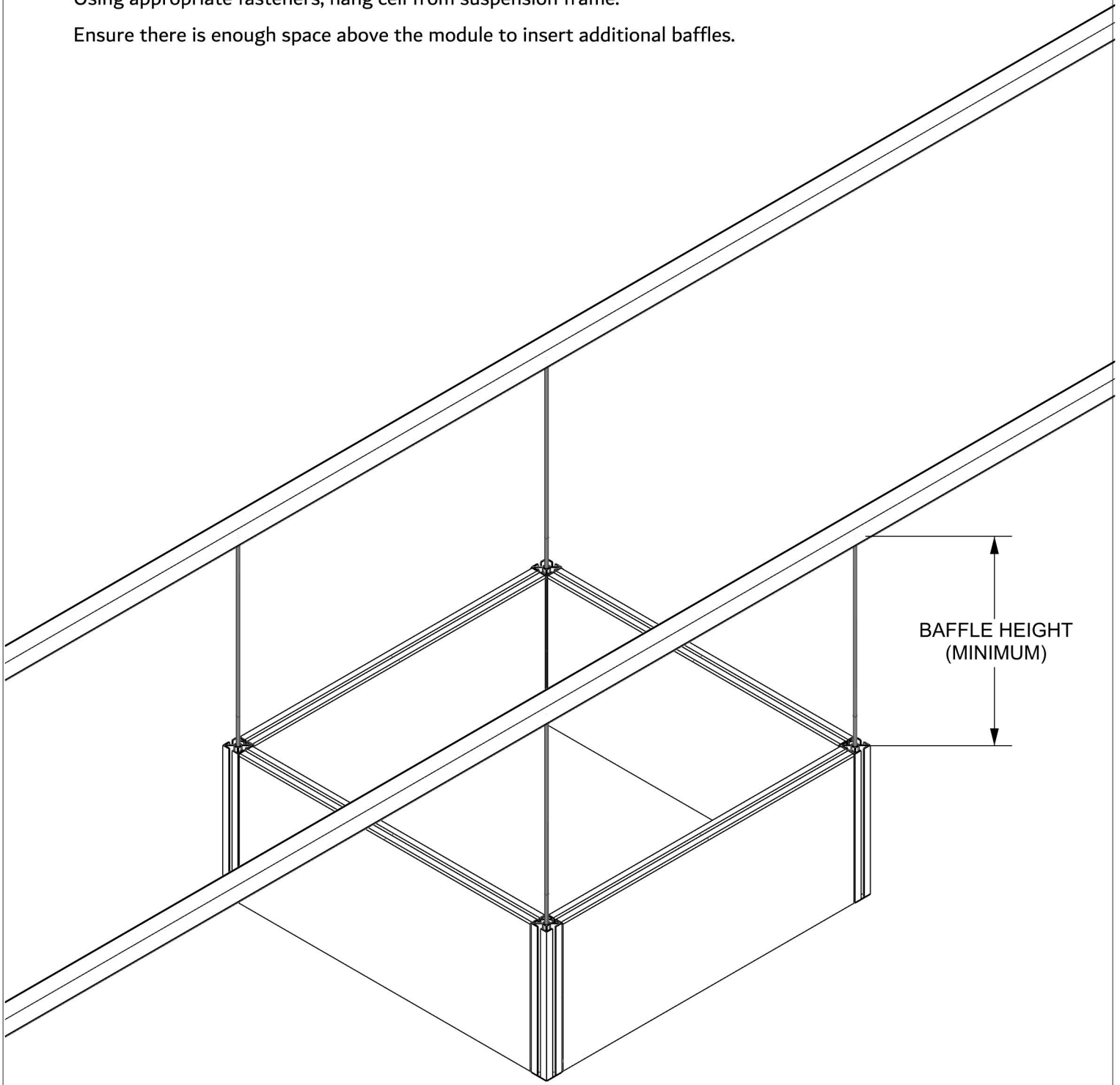
Install suspension frame, maintaining spacing equal to the on center cell width (typically 24" or 48" o.c.) in at least one direction.



Cell Suspension

Using appropriate fasteners, hang cell from suspension frame.

Ensure there is enough space above the module to insert additional baffles.



Cell Suspension

Continue adding baffles until ceiling installation is complete, securing each connector with appropriate fasteners.

