



# CEILING TILE

MICROPERFORATED ALUMINUM

# CEILING TILE

## MICROPERFORATED ALUMINUM

Introducing our Ceiling Tiles made from our innovative Microperforated Aluminum material, where the traditional concept of perforated aluminum transcends into a realm of unparalleled performance. These tiles boast an extraordinary material surface that not only offers exceptional AEMIC properties but also retains a striking silk-like aesthetic. Opt for these tiles for their top-tier performance and fall in love with their exquisite visual appeal.

- Standard sized tiles available for quick delivery
- Available in both tegular and flat edge profiles
- Available in multiple colors and finishes
- Class-A Fire rated for peace of mind
- Up to 0.80 NRC rating without the need for an additional backer

## SPECS

Material Composition: Aluminum with 0.04mm ultra micro perforations

Thickness: 0.5"

Size: 2' x 2', 2' x 4', Custom up to 4' x 8'

Installation Method: Lay-In

NRC Rating: Up to 0.80

Fire Rating: Class A Fire Rated per ASTM E84

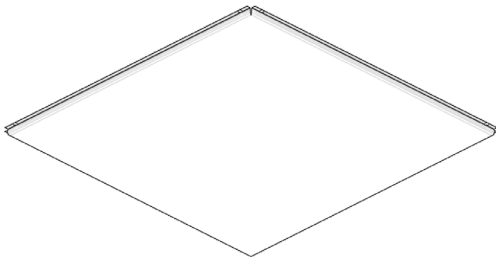


# EXPRESSIONS

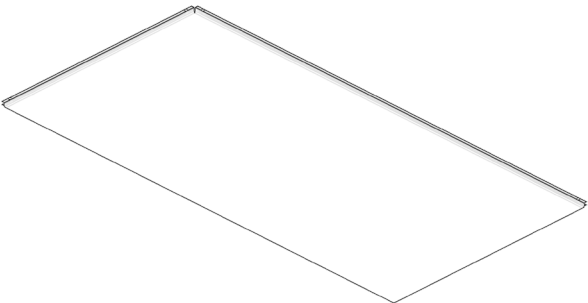
## Microperforated Aluminum Ceiling Tile

---

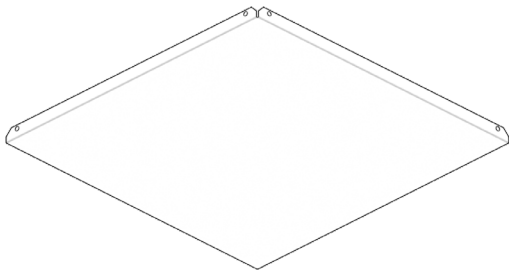
Ceiling tiles are available in both tegular and flat expressions as well as a variety of standard and custom sizes to meet the needs of any project.



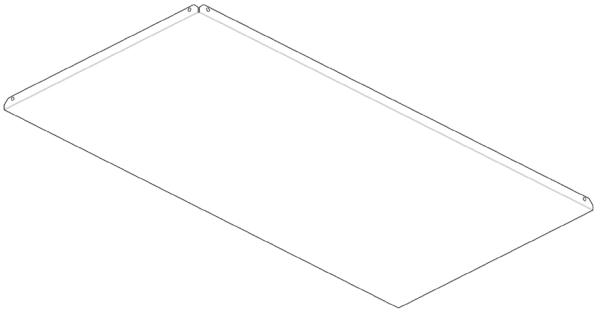
Lay In Tegular 2x2



Lay In Tegular 2x4



Lay In Flat 2x2

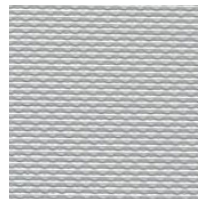


Lay In Flat 2x4

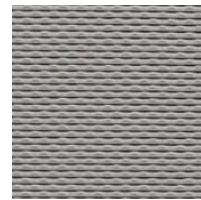


# FINISH

Enhance your design with a spectrum of powder-coated colors, adding a touch of sophistication to your projects.



Snow White



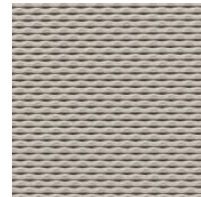
Cloud Gray



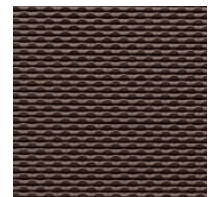
Black



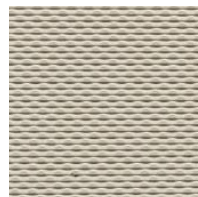
Beige White



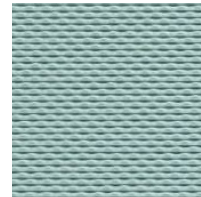
Ivory White



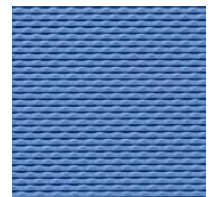
Dark Brown



Pearl Yellow



Aqua Green



Sky Blue

# PERFORMANCE

These tiles offer a seamless, silk-like aesthetic and boast an outstanding NRC rating of 0.80. What sets our material apart is our patented angled micro-perforation technique, a departure from conventional 90° perforation methods. These micro-perforations are meticulously designed to optimize surface performance, absorbing sound and electromagnetic waves while effectively mitigating heat. Bring elegance, functionality, and innovation to your spaces with Material Logiq microperforated aluminum.

