

Microperforated Aluminum Baffle Installation

ATTENTION: If you have additional questions after reviewal of this manual please contact your local Material Logiq representative or a Material Logiq professional at our headquarters (952)448-5300

MATERIAL LOGIQ MANUFACTURES PRODUCTS THAT MUST BE HANDLED WITH CARE. PRODUCTS SHOULD ONLY BE INSTALLED BY EXPERIENCED INSTALLERS.

RECEIVING

Prior to unpacking, check package for any obvious shipping damage. If no evidence of damage is present, move package to a dry/controlled area and inspect it for dents, breakage, or any lesser-noticeable damage that may affect enclosed panels. If damage has been identified, record it/photograph it, and open to inspect for concealed damage. If damage was transferred to the product, document/photograph the issues.

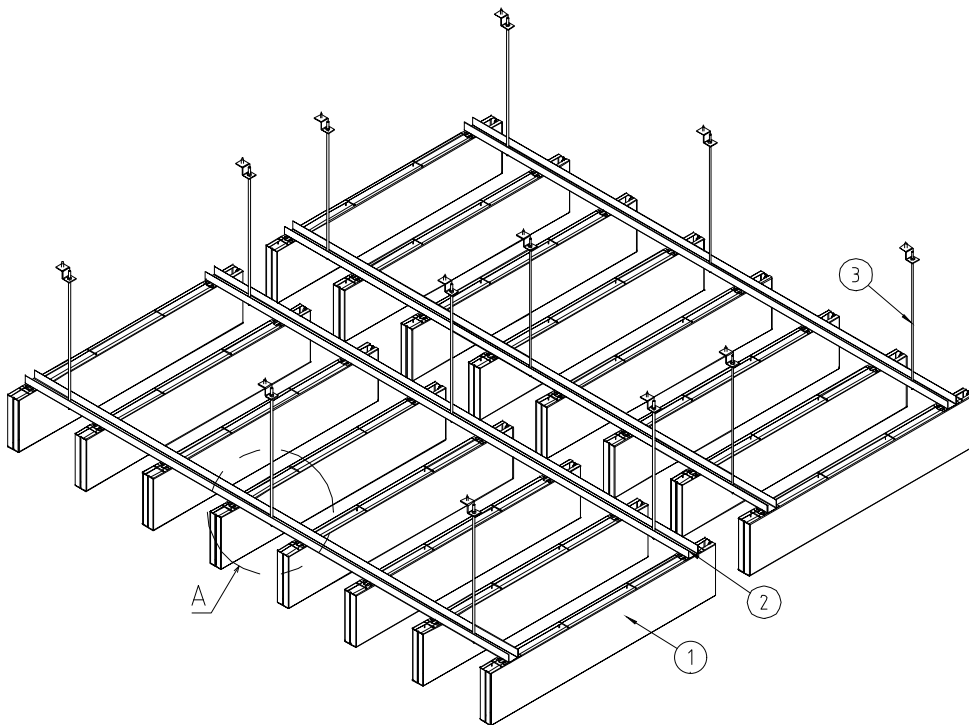
INSTALLATION

Connect baffles to U channel at spacing indicated in drawings, using provided fasteners.

Determine assembly location on ceiling and mark locations to mount hangers. Material Logiq recommends measuring out each hanger location and transferring measurements to ceiling, accounting offset created by hardware if necessary.

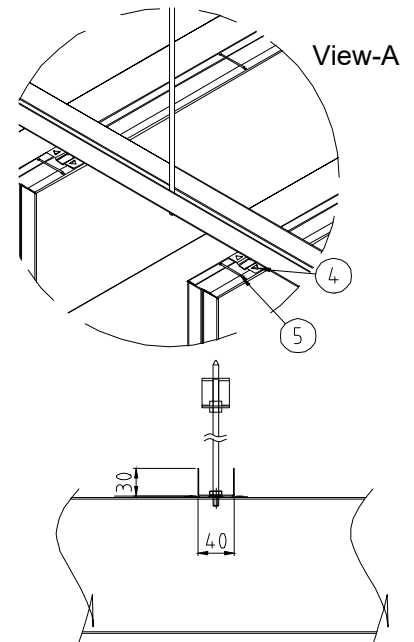
Connect hanger hardware to hanger locations on baffle assembly.

Hoist assembly and connect hanger hardware to ceiling at marked locations, ensuring the attachment method is sufficient for the ceiling condition.



Microperforated Aluminum Baffle Assembly Drawing

- ① Microperforated Aluminum Baffle
- ② U Channel
- ③ 1/4" Hanger
- ④ Hanger Plate
- ⑤ Fix Clip



SPECIAL HANDLING INSTRUCTIONS

When handling product, care must be taken to not damage the faces. Handle all edges with care. To avoid damage, do not twist or bow product during installation.